



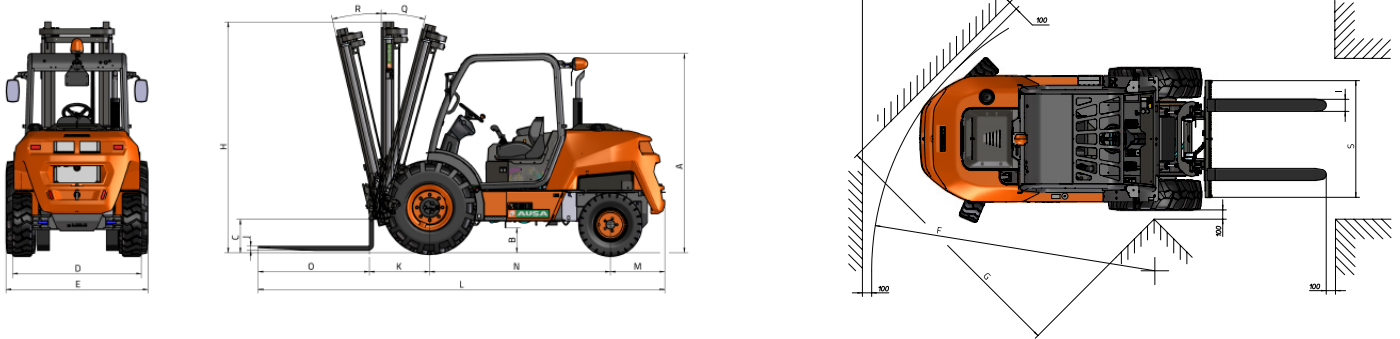
## TECHNICAL DATA

GENERAL		C 501 H x4
Load capacity to 24"	lb	11,000
Unladen weight *	lb	16,900
Transmission	-	Hydrostatic, with continuous speed control
MAST		
Fork carriage	-	FEM 4
Carriage width	in	65.3
ENGINE		
Make	-	DEUTZ
Model	-	TD3.6
Power	hp	74
Operating speed	r/min	1,800
Torque	N·m@rpm	340@1600
No. cylinders	-	4
Emissions	-	EPA Tier 4f DOC
Ambient noise	dB(A)	104
DRIVING		
Max. speed	mph	12.4
Gradeability	%	35
Traction	-	4x4 FullGrip®
Front tires	-	18-19.5
Rear tires	-	12-16.5
HYDRAULIC SYSTEM		
Hydraulic circuit	gal/min	15.6
Working pressure	psi	3,408
TANK CAPACITY		
Fuel	gal	31.0
Hydraulic	gal	30.1
BRAKES		
Service	-	Hydraulic, multi-disc and sealed
Parking	-	Negativ, multi-disc and sealed

\* It may change due to optional equipment

## DIMENSIONS

TYPE OF MAST	Maximum lift (ft)	H Retracted mast height (in)	Extended mast height (in)	Free lift (in)	Load at maximum height @600mm (lb) All-terrain use
Duplex mast (Std.)	12.14	109	181.2	3.9	11,000
Triplex mast	13.94	93.2	207.8	54.8	9350
Triplex mast	17.88	109	255	70.6	5500



DIMENSIONS (in)	C 501 H x4
A	92.52
B	11.02
C	11.42
D	69.29
E	79.13
E*	79.13
F	173.62
G	126.38
I	4.72
J	1.97
K	28.35
L	181.50
M	25.20
N	80.71
O	47.24
P	253.15
S	65.35
S**	65.35
DIMENSIONS (°)	
Q	10
R	10

\* Measured with high-lift mast installed \*\*Measured for wide axle carriage



[www.ausa.com](http://www.ausa.com)

Products are subject to modifications without prior notice. Images throughout the spec sheet may refer to non-standard machines or non-available configurations depending on models.

AUSA's logo and corporate identity are property of the Company, they cannot be used without authorization.