



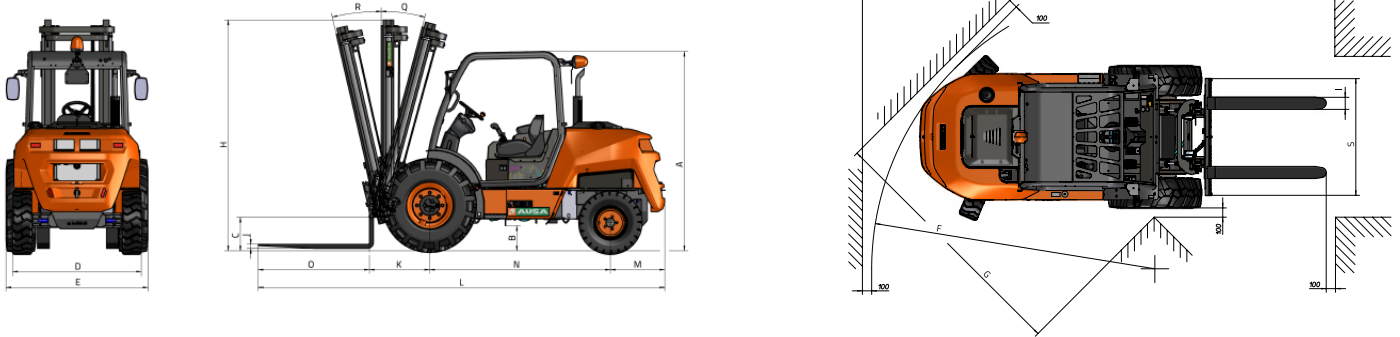
TECHNICAL DATA

GENERAL		C 351 H x4
Load capacity to 24"	lb	7,000
Unladen weight *	lb	11,970
Transmission	-	Hydrostatic, with continuous speed control
MAST		
Fork carriage	-	FEM 3
Carriage width	in	49.6 / 65.3
ENGINE		
Make	-	KUBOTA
Model	-	V2403-CR E5B
Power	hp	41.8
Operating speed	r/min	2,200
Torque	N·m@rpm	159.8@1600
No. cylinders	-	4
Emissions	-	EPA Tier 4
Ambient noise	dB(A)	104
DRIVING		
Max. speed	mph	12.4
Gradeability	%	30
Traction	-	4x4 FullGrip®
Front tires	-	16/70-20
Rear tires	-	12-16.5
HYDRAULIC SYSTEM		
Hydraulic circuit	gal/min	13.2
Working pressure	psi	2,900
TANK CAPACITY		
Fuel	gal	16.4
Hydraulic	gal	13.5
BRAKES		
Service	-	Hydraulic, multi-disc and sealed
Parking	-	Negativ, multi-disc and sealed

* It may change due to optional equipment

DIMENSIONS

TYPE OF MAST	Maximum lift (ft)	H		Free lift (in)	Load at maximum height @ 24" (lb) All-terrain use	
		Retracted mast height (in)	Extended mast height (in)		Narrow axle	Wide axle
Duplex mast (Std.)	10.83	105.1	179.9	4.7	7,000	-
Triplex mast	12.14	83.8	195.6	47.2	7,000	-
Triplex mast	17.72	106.3	262.6	66.1	-	2,850



DIMENSIONS (in)

C 351 H x4

A	86.22
B	12.60
C	14.76
D	64.76
E	70.08
E**	80.71
F	171.26
G	121.65
I	4.72
J	1.97
K	27.95
L	178.74
M	24.21
N	79.53
O	47.24
P	261.61
S	51.57
S***	67.32
DIMENSIONS (°)	
Q	14
R	10

** Measured with high-lift mast installed ***Measured for wide axle carriage



www.ausa.com

Products are subject to modifications without prior notice. Images throughout the spec sheet may refer to non-standard machines or non-available configurations depending on models.

AUSA's logo and corporate identity are property of the Company, they cannot be used without authorization.