

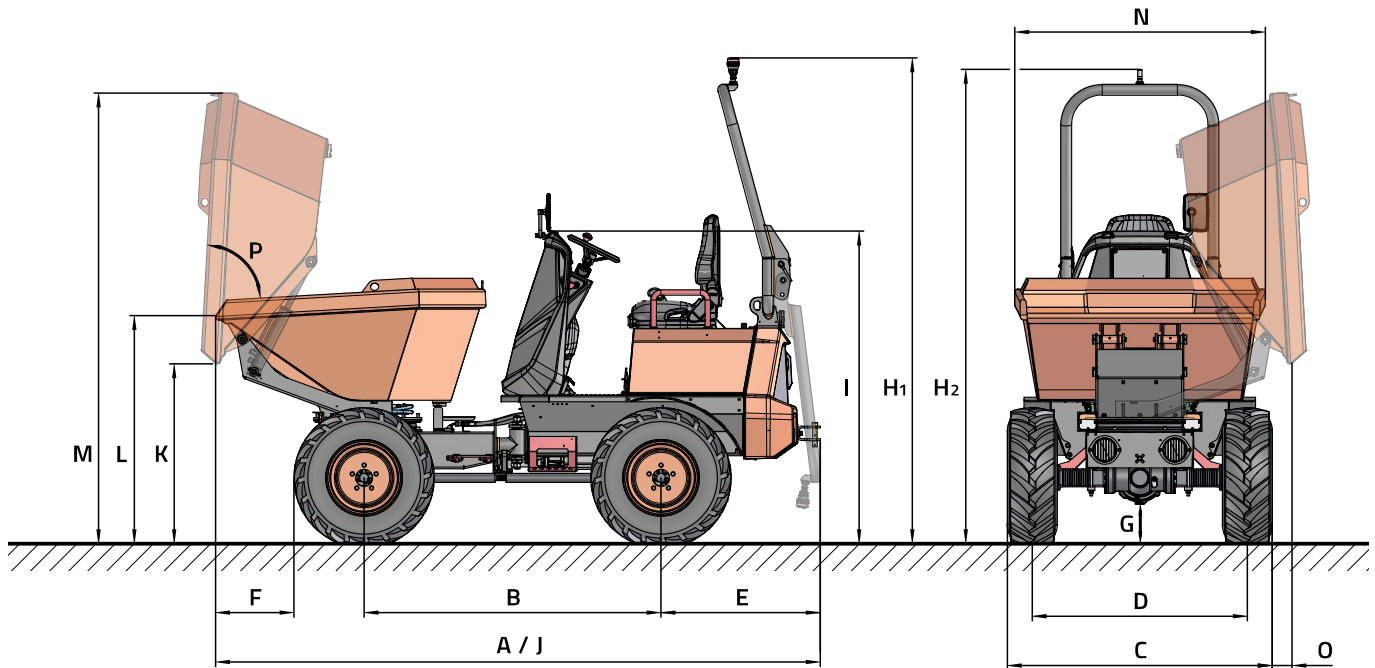


TECHNICAL DATA

GENERAL		D151AEG
Unloading system	-	Rotating
Load capacity	lb	3,300
Chassis	-	Articulated
Water hopper capacity	cu yd	0.68
Level hopper capacity	cu yd	0.82
Heaped hopper capacity	cu yd	1.18
Empty weight *	lb	3,373
Transmission	-	Electric
ENGINE		
Peak/Nominal power	hp	23.2 / 10.2
Peak torque	N.m	130
Emissions	-	Zero emissions
DRIVING		
Max. speed	mph	8.7
Maximum gradient	%	34
External turning radius	in	133.4
Traction	-	4WD
Tires	-	10.0/75-15.3
HYDRAULIC SYSTEM		
Hydraulic circuit	-	0.73 cu in. Gear pump
Flow rate	gal/min	7
Working pressure	psi	2,610
Tank capacity	gal	6.5
BRAKES		
Service	-	Sealed. Hydraulic drive
Parking	-	Negative brake and electro-hydraulic release
BATTERY		
Battery type	-	Lithium-Ion Battery (NCM)
Gross capacity	kWh	9.3
System voltage	V	48
Autonomy ***	-	One intense shift
CHARGE		
Charger	-	Integrated
Charging time 20-80% **	-	2h (@230V)
Charging time 20-80% (external fast charger) **	-	1h (@415V)
Charging cable plug type	-	16A 110V (yellow); 16A 230V (blue); 16A 415V (red)

* It may change due to optional equipment. ** Subject to environmental conditions and to the kind and power of charging station.
 *** Subject to environmental conditions and the kind of use. For temperatures under 32°F it is recommended to fit the Long Range pack.

DIMENSIONS



DIMENSIONS (in)		D151AEG	
A		132.3	
B		65	
C		58	
D		47	
E		34.8	
F		18.1	
G		8.7	
H		106.9	104.5
I		69.1	
J		132.3	
K		38.8	
L		49.5	
M		99.2	
N		55.1	
O		5	
DIMENSIONS (°)			
P		83	

1 ▲

▲ 2



www.ausa.com

Products are subject to modifications without prior notice. Images throughout the spec sheet may refer to non-standard machines or non-available configurations depending on models.

AUSA's logo and corporate identity are property of the Company, they cannot be used without authorization.

MKCAT.D151AEG.US.0723