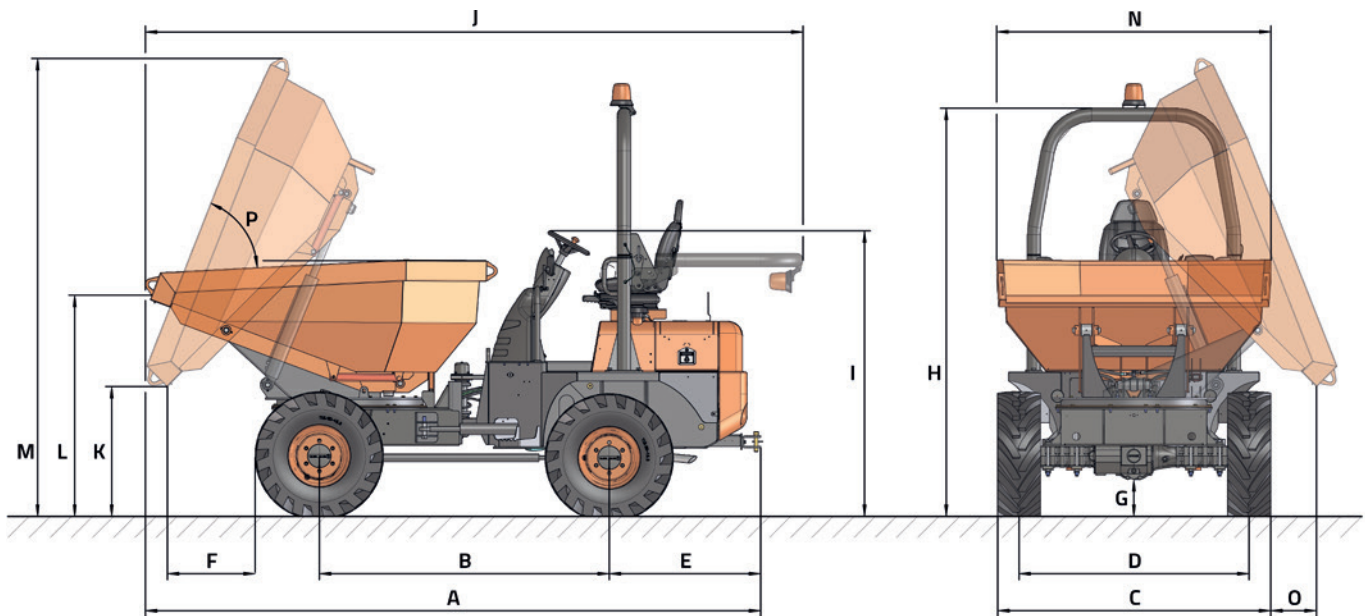




TECHNICAL DATA

GENERAL		D 450 AHG
Unloading system	-	Rotating
Load capacity	lb	9,900
Chassis	-	Articulated and oscillating
Water hopper capacity	cu yd	1.79
Level hopper capacity	cu yd	2.69
Heaped hopper capacity	cu yd	3.49
Empty weight	lb	6,548
Transmission	-	2-speed hydrostatic
ENGINE		
Brand	-	KUBOTA
Model	-	D1803-CR-T-E5B
Power	hp	44
Operating speed	rpm	2,400
Torque	N·m@rpm	150.5@1500
No. of cylinders	-	3
Emissions	-	EPA Tier 4f, Stage V
Injection	-	Common Rail and electronic management
Exhaust aftertreatment	-	DPF (Diesel particulate filter)
Noise	dB(A)	101
DRIVING		
Max. speed	mph	11.8
Maximum gradient	%	35
External turning radius	in	190
Traction	-	4x4
Tyres	-	12.0/75-18
HYDRAULIC SYSTEM		
Main pump	-	0.73 cu in gear pump
Flow rate	gal/min	7
Working pressure	psi	2900
TANK CAPACITY		
Fuel	gal	11.6
Hydraulic system	gal	10.6
BRAKES		
Service	-	Sealed brakes with multiple discs in oil. Hydraulic drive
Parking	-	Sealed brakes with multiple discs in oil. Mechanical drive

DIMENSIONS



DIMENSIONS (in)	D 450 AHG
A	172.4
B	77.2
C	73.2
D	61.2
E	40.4
F	30.5
G	12.2
H	111.0
I	82.7
J	183.5
K	28.9
L	64.6
M	125.6
N	73.6
O	20.5
DIMENSIONS (°)	
P	65



www.ausa.com

Products are subject to modifications without prior notice. Images throughout the spec sheet may refer to non-standard machines or non-available configurations depending on models.

AUSA's logo and corporate identity are property of the Company, they cannot be used without authorization.