



Rigid Dumper Range

Indestructible, versatile and cost-effective dumpers with a 1.5 to 2-ton capacity

AUSA EUROPEAN MANUFACTURER

Indestructible, versatile and cost-effective

AUSA's rigid dumpers are characterised by being **indestructible, versatile and cost-effective**. The different tonnage, tipping and self-loading shovel equipment options make these vehicles the best option on the market, thanks to their capacity, practicality and low operating costs.

In addition, FullGrip® total permanent drive in 1.5/1.75-ton models and Compen® in 2-ton models, in addition to rear wheel steering and a low centre of gravity at full load, make AUSA's rigid dumpers the perfect transportation machine on any surface, achieving optimal results.

Its cutting-edge design, with exclusive differential axle technology, is the result of over 60 years of experience and more than 100,000 units manufactured. AUSA's dumpers combine the brand's product values: **safety, compact design, comfort, manoeuvrability, loading capacity and resistance**.



1. Headquarters 2. Assembly plant 3. Test, demonstration and training area 4. Warehouse for completed machines

RIGID DUMPER RANGE



D 150 RM
1500 kg



D 150 RMA
1500 kg

Pages 04-05

AUSA SERVICES

Our priority is the customer, which is why we provide a full range of solutions and services that undoubtedly contribute to improving your collaboration with AUSA.



FINANCING



TECHNICAL SUPPORT



MAINTENANCE



SPARE PARTS



TRAINING



WEBSITE FOR CUSTOMERS

A DISTRIBUTION NETWORK AT YOUR SERVICE

AUSA has a wide range of official distributors all over the world. Go to our website to find the one closest to you.

<http://www.ausa.com/>



D 175 RMS
1750 kg



D 201 RHS
2000 kg



D 201 RHGS
2000 kg

Pages 06-07

D 150 - 175 R

Rigid dumper 1.500 - 1.750 Kg

The smallest rigid dumper line is characterised by its perfect balance between a high loading capacity and low fuel consumption. With a 1.5 to 1.75-ton capacity, this is the most compact range with the highest manoeuvrability.





In addition, thanks to its simple mechanics, the maintenance costs are very low, resulting in greatly reduced operating costs.

As in any rigid dumper range, the robustness of the machine and its different engine sizes turn this into an indestructible work tool that can operate on any surface.



D 150 RM D 150 RM x4







Characteristics				
D 150 RM	1500	10/12.1	1560	M-4x2
D 150 RM x4	1500	10/12.1	1560	M-4x4

Advantages

- Front tipping at low heights, the perfect option to transport and tip concrete.
- Its reduced turning radius makes this machine stand out for its manoeuvrability and stability on uneven surfaces.
- Combines a high loading capacity (1,500 Kg) with a low fuel consumption.
- Simple mechanics to guarantee low maintenance costs.

D 150 RMA D 150 RMA x4







Characteristics				
D 150 RMA	1500	10/12.1	1560	M-4x2
D 150 RMA x4	1500	10/12.1	1560	M-4x4

Advantages

- Front tipping and tipping at a height, perfect for tipping the contents of waste and rubble containers.
- Its reduced turning radius makes this machine stand out for its manoeuvrability and stability on uneven surfaces.
- Combines a high loading capacity (1,500 Kg) with a low fuel consumption.
- Simple mechanics to guarantee low maintenance costs.

D 175 RMS D 175 RMS x4



Characteristics				
D 175 RMS	1750	10/12.1	1560	M-4x2
D 175 RMS x4	1750	10/12.1	1560	M-4x4

Advantages

- Front tipping.
- Its reduced turning radius makes this machine stand out for its manoeuvrability and stability on uneven surfaces.
- Combines a high loading capacity (1,750 Kg) with low fuel consumption.
- Simple mechanics to guarantee low maintenance costs.

D 201 R

Rigid dumper 2.000 Kg

With full permanent drive and self-loading shovel, the model with a 2-ton capacity is the ideal option for heavy-duty work, with no need to dedicate a loading shovel exclusively to these tasks.

Thanks to its simple mechanics, the maintenance costs are very low, resulting in greatly reduced operating costs.





In addition, the different front and side tipping options make this the most versatile option on the market.

A second passenger seat can be installed, which makes it perfect for loading and transport operations in which two operators are required.



D 201 RHS 
D 201 RHGS 



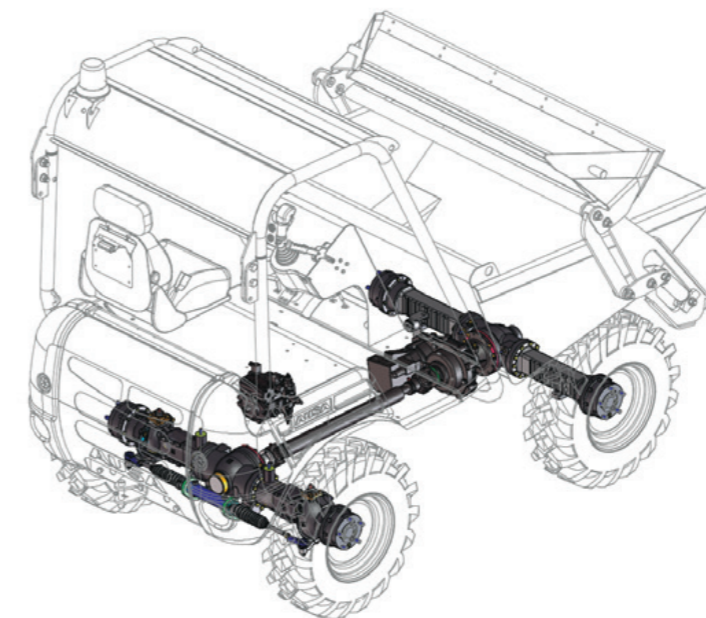
Characteristics				
D 201 RHS	2000	18.5	1750	H-4x4
D 201 RHGS	2000	18.5	1750	H-4x4

Advantages

- Front and side tipping, with rotating hopper.
- High driving comfort and safety, thanks to the hydrostatic gearbox.
- Optional second passenger seat.
- Permanent 4WD with AUSA Compen® System.
- Gradeability of 35%
- Simple mechanics to guarantee low maintenance costs.

HYDROSTATIC TRANSMISSION

Thanks to its hydrostatic transmission, maximum comfort and safety are assured. The transmission brake also prevents the machine from moving under its own weight on slopes, without you even touching the brake pedal. Thanks to that, the operator has full control over the machine and can focus on handling the load.



TECHNICAL DATA

		D 150 RM	D 150 RMx4	D 150 RMA	D 150 RMAx4
GENERAL					
Unloading system	-	Frontal	Frontal	High	High
Load capacity	kg	1500	1500	1500	1500
Water hopper capacity	l	608	608	630	630
Level hopper capacity	l	868	868	970	970
Heaped hopper capacity	l	1047	1047	1100	1100
Empty weight	kg	950	950	1360	1360
Transmission	-	Mechanical, 4-speed (forward) and 4-speed (reverse), with inverter			
ENGINE					
Brand	-	HATZ / KUBOTA			
Model	-	1D90Z / D902-E4B			
Power	kW@rpm	10@2550 / 12,1@2400			
Operating speed	rpm	2800 / 2770			
Torque	N-m@rpm	43@2000 / 54,6@1900			
No. of cylinders	-	1 / 3			
Emissions	-	Stage V / Stage V, EPA Tier4			
Noise	dB(A)	101			
DRIVING					
Max. speed	km/h	21/19	21/19	21/19	21/19
Maximum gradient	%	30 / 35	30 / 35	26 / 30	26 / 30
External turning radius	mm	3470	3620	3470	3620
Traction	-	4x2	4x4 FullGrip® System	4x2	4x4 FullGrip® System
Front tyres	-	7.50-16	7.50-16	7.50-16	7.50-16
Rear tyres	-	145/80 R13	6.5/80-12	145/80 R13	6.5/80-12
HYDRAULIC SYSTEM					
Flow rate	l/min	20/26.4	20/26.4	20/26.4	20/26.4
Working pressure	bar	115	115	150	150
TANK CAPACITY					
Fuel	l	13,5	13,5	13,5	13,5
Hydraulic system	l	16,5	16,5	16,5	16,5
BRAKES					
Service	-	Hydraulic drum brake			
Parking	-	Mechanical on the front axle			

EQUIPMENT

	D 150 RM	D 150 RMx4	D 150 RMA	D 150 RMAx4	D 175 RMS	D 175 RMSx4	D 201 RHS	D 201 RHGS
DRIVING POSITION								
Folding ROPS protective structure							●	●
ROPS/FOPS protective roof, seat belt, rotating beacon and rear-view mirror	○	○	○	○	○	○	○	○
Folding ROPS protective structure, seat belt and rotating beacon	○	○	○	○	○	○		
Front windscreen with wipers	○	○	○	○	○	○	○	○
SAFETY								
Retracting seat belt							●	●
Rotating beacon							●	●
Acoustic warning for reverse gear	●	●	●	●	●	●	●	●
Anti-vandal security system	●	●	●	●	●	●	●	●
LIGHTING AND DRIVING								
Road lights	○	○	○	○	○	○	○	○
Power steering	●	●	●	●	●	●	●	●

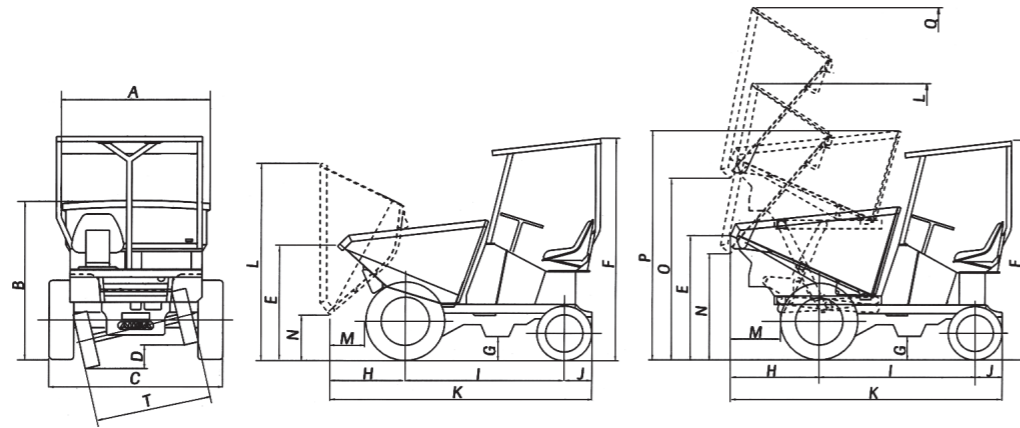
● Standard ○ Optional

	D 175 RMS	D 175 RMSx4	D 201 RHS	D 201 RHGS
Unloading system	Frontal	Frontal	Frontal	Rotating
Load capacity	1750	1750	2000	2000
Water hopper capacity	608	608	700	650
Level hopper capacity	868	868	960	930
Heaped hopper capacity	1047	1047	1250	1230
Empty weight	1230	1230	1900	2100
Transmission	Mechanical, 4-speed (forward) and 4-speed (reverse), with inverter		Hydrostatic, 2-speed	
ENGINE				
Brand	HATZ / KUBOTA		KUBOTA	
Model	1D90Z / D902-E4B		V1505-E4B	
Power	10@2550 / 12,1@2400		18.5@2300	
Operating speed	2800 / 2770		2500	
Torque	43@2000 / 54,6@1900		92,6@1700	
No. of cylinders	1 / 3		4	
Emissions	Stage V / Stage V - EPA Tier4		Stage V - EPA Tier4	
Noise	101		101	
Max. speed	21/19	21 / 19	18	18
Maximum gradient	22 / 26	22 / 26	35	35
External turning radius	3470	3620	4190	4190
Traction	4x2	4x4 FullGrip® System	4x4 permanent Compen® System	
Front tyres	7.50-16	7.50-16	10.0/75-15.3	10.0/75-15.3
Rear tyres	145/80 R13	6.5/80-12	10.0/75-15.3	10.0/75-15.3
Flow rate	20/26.4	20/26.4	18	18
Working pressure	120	120	180	180
Fuel	13,5	13,5	40	40
Hydraulic system	16,5	16,5	40	40
Service	Hydraulic on the front axle		Fully sealed, with oil-immersed multi-disc brakes	
Parking	Mechanical on the front axle		Fully sealed, with oil-immersed multi-disc brakes	

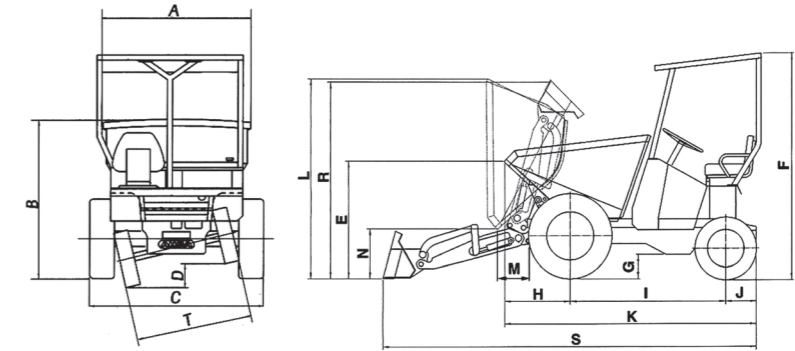
	D 150 RM	D 150 RMx4	D 150 RMA	D 150 RMAx4	D 175 RMS	D 175 RMSx4	D 201 RHS	D 201 RHGS
COMFORT								
Adjustable ergonomic seat	●	●	●	●	●	●	●	●
Second seat for passenger							○	○
All-in-one joystick							●	●
IMPLEMENTS								
Self-loading shovel					●	●	●	●
Self-loading shovel with teeth							○	○
ACCESSORIES								
Waterproof document holder	○	○	○	○	○	○		
Biodegradable hydraulic oil	○	○	○	○	○	○	○	○
Ball and towing hitch	○	○	○	○	○	○	○	○
Towing hitch	○	○	○	○	○	○	○	○
Power socket for the trailer	○	○	○	○	○	○	○	○
PARTS								
1,000 h maintenance kit	○	○	○	○	○	○	○	○
Standard spare wheel	○	○	○	○	○	○	○	○

DIMENSIONS

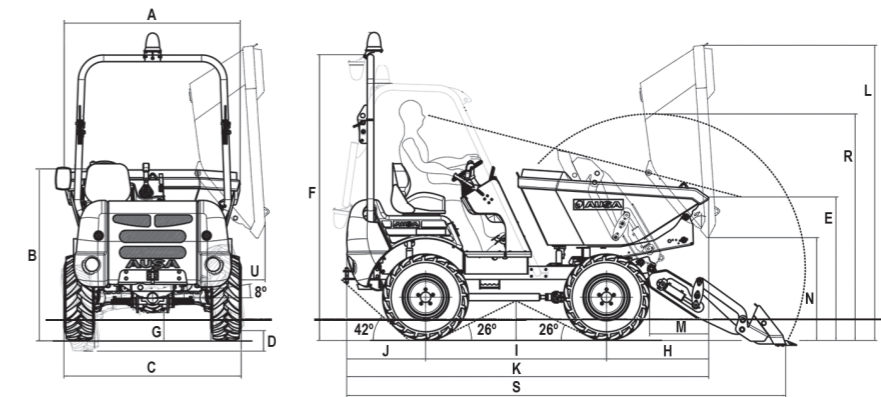
D 150 RM / D 150 RMA



D 175 RMS



D 201 RHS / D 201 RHGS



	D 150 RM	D 150 RMx4	D 150 RMA	D 150 RMAx4
DIMENSIONS				
A	1560	1560	1560	1560
B	1310	1310	1440	1440
C	1560	1560	1560	1560
D	200	200	200	200
E	1110	1110	1220	1220
F	2095	2095	2095	2095
G	225	225	225	225
H	610	610	830	830
I	1440	1440	1440	1440
J	280	280	280	280
K	2330	2330	2550	2550
L	1855	1855	2590	2590
M	200	200	440	440
N	480	480	1015	1015
O	-	-	1710	-
P	-	-	2135	-
Q	-	-	3285	-
R	-	-	-	-
S	-	-	-	-
T	1225	1225	1225	1225
U	-	-	-	-

	D 175 RMS	D 175 RMSx4	D 201 RHS	D 201 RHGS
A	1560	1560	1565	1540
B	1310	1310	1445	1545
C	1560	1560	1750	1750
D	200	200	185	185
E	1100	1100	1195	1295
F	2095	2095	2580	2580
G	225	225	255	255
H	610	610	885	925
I	1440	1440	1640	1640
J	280	280	715	715
K	2330	2330	3020	3280
L	1855	1855	2245	2665
M	200	200	275	535
N	480	480	570	930
O	-	-	-	-
P	-	-	-	-
Q	-	-	-	-
R	1793	1793	2045	2045
S	3464	3464	3980	3980
T	1225	1225	1590	1590
U	-	-	-	215



MKCAT.RD.ROW.EN02

AUSA
C/ Castelladral 1
08243 Manresa - Barcelona
SPAIN
Tel. +34 93 874 7311
ausa@ausa.com
www.ausa.com

AUSA Spain: +34 91 669 00 06 ausa.madrid@ausa.com
AUSA France: +33 (0) 4 68 54 38 97 - ausa.france@ausa.fr
AUSA U.K.: +44 (0)7703 60 9009 - ausa.uk@ausa.com
AUSA Central Europe: +49 2384 9415725 - info@ausa.de
AUSA Brasil: +55 11 40146906 - ausa.brasil@ausa.com
AUSA U.S.: +1 (310) 426 2305 - ausa.us@ausa.com
AUSA CHINA: +86 10 8598 7386 - ausa.china@ausa.com



Distributor's stamp



www.ausa.com