

ARTICULATED DUMPER

From 1.000 to 10.000 kg payload. Tough, compact and efficient





1000, 1500 kg ELECTRIC **4**

D101AEA | D101AEA COMPACT
D151AEG



1000, 1200, 1500 kg **8**

D100AHA | D100AHG
D120AHA | D120AHG
D150AHA | D150AHG



2000, 3000, 3500, 4500 kg **12**

D201AHG
D301AHG
D350AHG
D450AHG



6000, 10000 kg **16**

D601AHG | D601APG
D1001APG



6000, 10000 kg - REVERSIBLES **20**

DR601AHG
DR1001AHG

AUSAnow **24**

Technical data **26**

Dimensions **32**

Equipment **34**

ELECTRIC DUMPER

1000 - 1500 KG

Electric power for the whole day. AUSA electric dumper was designed to offer capacity for a one intense shift without need to recharge

And whenever necessary, they can be connected directly to the mains via 110V or 230V socket. It also features a 4 15V socket with a fast charger.

Thanks to its minimal noise emissions, they can be used in more applications than a traditional dumper, as well as in works to be carried out at night.

The lithium-ion battery pack is electronically managed, in order to offer the maximum power in a gentle way, and with 4wd conditions that equal the diesel vehicles.



FEATURED EQUIPMENT

Charging cable in the vehicle, so it can be plugged in at any time. **Folding ROPS roll bar** to make it easier to transport. **Driving position with plenty of space** for comfortable and safe driving. **Digital screen** with all of the information about the machine and self-diagnostics. **Hill holder**, which keeps the machine stationary on any slope, without putting your foot on the brake. **Easy-to-access components** to reduce downtime for maintenance. **Ergonomic joystick** that controls the skip movements and the transmission. **Seat belt with a buckle sensor and seat with presence sensor** to prevent the machine from being used without following the minimum safety procedures. **Negative brake** that is applied automatically when the motor stops. **Energy recovery system** that increases the battery range.



Charging from
20 to 80%
2 h*

Battery capacity
Up to 12.4 kWh

Battery type
Li-Ion

** Subject to environmental conditions and to the kind and power of charging station.*



D101AEA 1000KG
UNLOADING SYSTEM HIGH
POWER 17.3KW WIDTH 1,480MM TRANSMISSION ELECTRIC



D101AEA COMPACT 1000KG
UNLOADING SYSTEM HIGH
POWER 17.3KW WIDTH 1,480MM TRANSMISSION ELECTRIC



D151AEG 1500KG
UNLOADING SYSTEM ROTATING
POWER 17.3KW WIDTH 1,480MM TRANSMISSION ELECTRIC

ARTICULATED DUMPER

1000 - 1200 - 1500 KG

AUSA's most compact range of dumpers, available with three different payloads and they can be configured with a high-tipping skip or a swing skip.

These models are perfect for municipal works, landscaping projects or small demolitions, situations that require highly manoeuvrable vehicles that are extremely compact in size.

Thanks to their permanent 4WD, they can handle narrow terrain and steep slopes.



FEATURED EQUIPMENT

Folding ROPS for ease of transportation. **Spacious driver's position** for comfortable and safe handling. **Rotating beacon** that makes it more visible for people outside the vehicle. **Hydrostatic transmission** to ensure smooth and safe operation for the user. **Easy-to-access components** to reduce downtime for maintenance. **Ergonomic joystick** that controls the movements of the skip and the transmission. **Axles with final epicyclic gearing** that provides improved traction.



D100AHA 1000KG
UNLOADING SYSTEM HIGH
POWER 15.6KW WIDTH 1,100MM TRANSMISSION HYDROSTATIC



D100AHA COMPACT 1000KG
UNLOADING SYSTEM HIGH
POWER 15.6KW WIDTH 1,000MM TRANSMISSION HYDROSTATIC



D100AHG 1000KG
UNLOADING SYSTEM ROTATING
POWER 15.6KW WIDTH 1,100MM TRANSMISSION HYDROSTATIC



D120AHA 1200KG
UNLOADING SYSTEM HIGH
POWER 15.6KW WIDTH 1,210MM TRANSMISSION HYDROSTATIC



D120AHG 1200KG
UNLOADING SYSTEM ROTATING
POWER 15.6KW WIDTH 1,210MM TRANSMISSION HYDROSTATIC



D150AHA 1500KG
UNLOADING SYSTEM HIGH
POWER 15.6KW WIDTH 1,480MM TRANSMISSION HYDROSTATIC



D150AHG 1.500KG
UNLOADING SYSTEM ROTATING
POWER 15.6KW WIDTH 1,480MM TRANSMISSION HYDROSTATIC



ARTICULATED DUMPER

2000 - 3000 - 3500 - 4500 KG

Dumpers designed for major earthworks in urban and intercity settings or in private projects. They have a very good power-to-weight ratio, making them manoeuvrable and allowing them to easily cope with steep slopes.

All components have been designed to ensure quick and simple maintenance with minimal downtime.



FEATURED EQUIPMENT

Folding ROPS for ease of transportation. **Spacious driver's position** for comfortable and safe handling. **Hydrostatic transmission** to ensure smooth and safe operation for the user. **Easy-to-access components** to reduce downtime for maintenance. **Ergonomic joystick** that controls the movements of the skip and the transmission. **Seat belt with a buckle sensor and seat with presence sensor** to prevent the machine from being used without following the minimum safety procedures. **Negative brake** which is automatically engaged when the engine is turned off.



D201AHG 2000KG
UNLOADING SYSTEM ROTATING
POWER 18.5KW **WIDTH** 1,500MM **TRANSMISSION** HYDROSTATIC



D301AHG 3000KG
UNLOADING SYSTEM ROTATING
POWER 18.5KW **WIDTH** 1,750MM **TRANSMISSION** HYDROSTATIC



D350AHG 3500KG
UNLOADING SYSTEM ROTATING
POWER 32.8KW **WIDTH** 1,850MM **TRANSMISSION** HYDROSTATIC



D450AHG 4500KG
UNLOADING SYSTEM ROTATING
POWER 32.8KW **WIDTH** 1,870MM **TRANSMISSION** HYDROSTATIC

ARTICULATED DUMPER

6000 - 10000 KG

Our range of dumpers with the highest payload is designed for large-scale earthworks, especially on intercity construction sites and in open spaces. These are powerful and robust models that are equipped with the latest technology to minimise fuel consumption.

They also have a digital display in the driver's cab which provides all of the machine's real-time information, allowing you to run self-diagnostics without the need for any external tools.



FEATURED EQUIPMENT

Digital screen with all of the information about the machine and self-diagnostics. **Smart Stop** (optional), which switches off the machine's engine when it is not in use, to make it more cost-effective. **Easy-to-access internal components** to reduce costs and facilitate maintenance. **The limited-slip differential** on both axles offers the best off-road drive available on the market. **Seat belt with a buckle sensor and seat with presence sensor** to prevent the machine from being used without following the minimum safety procedures. **Negative brake** which is automatically engaged when the engine is turned off. **Camera with all-round vision** on the skip.



D601AHG 6000KG
UNLOADING SYSTEM ROTATING
POWER 55.4KW WIDTH 2,210MM TRANSMISSION HYDROSTATIC



D601APG 6000KG
UNLOADING SYSTEM ROTATING
POWER 55.4KW WIDTH 2,210MM TRANSMISSION TORQUE CONVERTER



D1001APG 10000KG
UNLOADING SYSTEM ROTATING
POWER 55.4KW WIDTH 2,410MM TRANSMISSION TORQUE CONVERTER



REVERSIBLE DUMPER

6000 - 10000 KG

The reversible design allows the entire driver's cab to turn 180°: seat, steering wheel, pedals, joystick...giving the operator a clear view of their surroundings at all times. This system also allows you to always use front-wheel drive, thus reducing the number of manoeuvres and increasing load-moving speed.

AUSA's reversible dumpers are equipped with the latest technology to reduce fuel consumption and improve the safety of the operator and area around them.



FEATURED EQUIPMENT

Access to the driving position on both sides of the machine. **ECO Mode** to automatically regulate the RPM to ensure low consumption and reduced maintenance costs. **Digital screen** with all of the information about the machine and self-diagnostics. **Hill holder**, which keeps the machine stationary on any slope, without putting your foot on the brake. **The limited-slip differential** on both axles offers the best off-road drive available on the market. **Smart Stop**, which switches off the machine's engine when it is not in use, to make it more cost-effective. **Negative brake** which is automatically engaged when the engine is turned off. **Camera with all-round vision** on the skip.



DR601AHG 6000KG
UNLOADING SYSTEM ROTATING
POWER 55.4KW WIDTH 2,210MM TRANSMISSION HYDROSTATIC



DR1001AHG 10000KG
UNLOADING SYSTEM ROTATING
POWER 55.4KW WIDTH 2,410MM TRANSMISSION HYDROSTATIC

All AUSA dumpers can be equipped with AUSAnow, the software used to remotely control machines, providing you with all real-time information.



Control your fleet of machines

From your office or with your mobile phone. Control all of your AUSA machines in real time. With AUSAnow you can anticipate any faults and maintenance, to reduce downtime.



Get information and make decisions

View or create your own personalised charts to obtain in-depth information about the operation of your machines and make decisions that are based on analytical information.



Connect security alarms

Establish a schedule and security perimeter. If one of your machines is moved outside the established area, AUSAnow will alert you straight away so that you can deal with it.



Data, data and more data

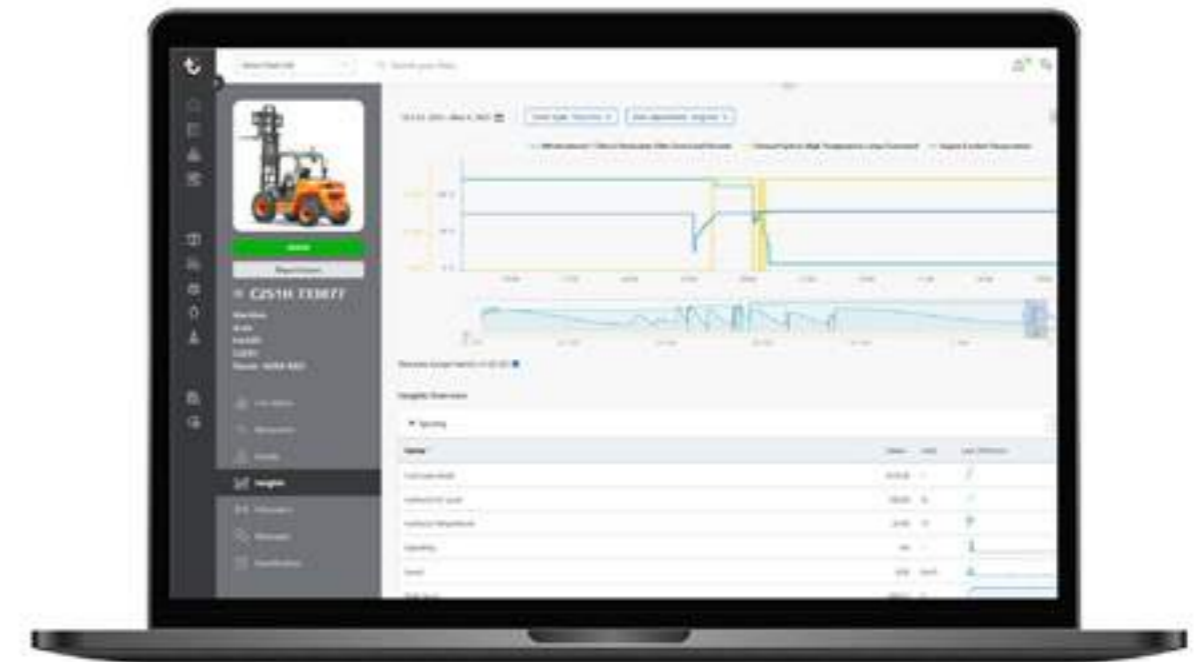
AUSAnow allows you to obtain advanced real-time information about your machine fleet. View advanced charts for customised time periods based on the parameters set by you.



Reduce downtime

AUSAnow connects you to your dealer or rental company, so that any appropriate maintenance can be performed. If you have a problem, AUSAnow provides you with a direct channel of communication with your machine supplier, so that it can be resolved as quickly as possible.

- Preventive alerts
- Attach images



Alarms for your peace of mind

Activate AUSA's recommended maintenance alerts and keep your machines in tip-top condition. And, for your security, you can program geofences and receive alerts if they go outside the established boundaries.

- Customise a schedule
- Set a perimeter

TECHNICAL DATA

TECHNICAL DATA

	D101AEA / COMPACT	D151AEG
GENERAL		
Unloading system	High	Rotating
Load capacity	1000	1500
Chassis	Articulated	
Water hopper capacity	345	520
Level hopper capacity	395	626
Heaped hopper capacity	565	900
Empty weight *	1430	1530
Transmission	Electric	
Reversibility	No	
ENGINE		
Brand / Model	-	
Power	-	
Peak/Nominal power	17,3 / 7,6	
Operating speed	-	
Peak torque	130	
No. of cylinders	-	
Emissions	Zero emissions	
Noise	92	
DRIVING		
Max. speed	14	
Maximum gradient	34	
External turning radius	3080	3390
Traction	4x4	
Tyres	27x8.50-15 / 6.5/80-12	10.0/75-15.3
HYDRAULIC SYSTEM		
Hydraulic circuit	12cc. Gear pump	
Flow rate	26,4	
Working pressure	180	
TANK CAPACITY		
Fuel	-	
Hydraulic system	24,5	
BRAKES		
Service	Sealed. Hydraulic drive	
Parking	Negative brake and electro-hydraulic release	
BATTERY		
Battery type	Lithium-Ion Battery (NCM)	
Gross capacity	9,3	
System voltage	48	
Autonomy ***	One intense shift	
CHARGE		
Charger	Integrated	
Charging time 20-80% **	2h (@230V)	
Charging time 20-80% (external fast charger) **	1h (@415V)	
Charging cable plug type	16A 110V (yellow); 16A 230V (blue); 16A 415V (red)	

* It may change due to optional equipment ** Subject to environmental conditions and to the kind and power of charging station.
 *** Subject to environmental conditions and the kind of use. For temperatures under 0°C it is recommended to fit the "Additional battery for longer range (+3.1 kWh)".

	D100AHA / COMPACT	D100AHG	D120AHA	D120AHG
GENERAL				
Unloading system	High	Rotating	High	Rotating
Load capacity	1000	1000	1200	1200
Chassis	Articulated			
Water hopper capacity	345	325	425	415
Level hopper capacity	395	390	515	495
Heaped hopper capacity	565	545	700	695
Empty weight *	1300	1300	1375	1375
Transmission	Hydrostatic			
Reversibility	No			
ENGINE				
Brand / Model	KUBOTA D1105-E4B			
Power	15,6			
Peak/Nominal power	-			
Operating speed	2400			
Peak torque	71,4@1600			
No. of cylinders	3			
Emissions	Stage V, Tier 4			
Noise	101			
DRIVING				
Max. speed	15	15	17	17
Maximum gradient	38	38	48	48
External turning radius	3060	3035	3125	3095
Traction	4x4	4x4	4x4	4x4
Tyres	27x8.5-15 / 6.5/80-12	27x8.5-15	10.0/75-15.3	10.0/75-15.3
HYDRAULIC SYSTEM				
Hydraulic circuit	8cc. Gear pump			
Flow rate	17,28		17,28	
Working pressure	180		180	
TANK CAPACITY				
Fuel	23	23	23	23
Hydraulic system	21,2	21,2	21,2	21,2
BRAKES				
Service	Sealed. Mechanical drive			
Parking	Mechanical drive			
BATTERY				
Battery type	-			
Gross capacity	-			
System voltage	-			
Autonomy ***	-			
CHARGE				
Charger	-			
Charging time 20-80% **	-			
Charging time 20-80% (external fast charger) **	-			
Charging cable plug type	-			

TECHNICAL DATA

TECHNICAL DATA

		D150AHA	D150AHG
GENERAL			
	UNIT		
Unloading system	-	High	Rotating
Load capacity	kg	1500	1500
Chassis	-	Articulated	
Water hopper capacity	l	605	520
Level hopper capacity	l	681	626
Heaped hopper capacity	l	841	900
Empty weight	kg	1510	1510
Transmission	-	Hydrostatic	
Reversibility	-	No	
ENGINE			
Brand / Model	-	KUBOTA D1105-E4B	
Power	kW	15,6	
Operating speed	rpm	2400	
Torque	N·m	71,4@1600	
No. of cylinders	-	3	
Emissions	-	Stage V, Tier 4	
Injection	-	Mechanical pump	
Exhaust aftertreatment	-	-	
Noise	dB(A)	101	
DRIVING			
Max. speed	km/h	14	14
Maximum gradient	%	40	40
External turning radius	mm	3260	3260
Traction	-	4x4	4x4
Tyres	-	10.0/75-15.3	10.0/75-15.3
HYDRAULIC SYSTEM			
Hydraulic circuit	-	8cc. Gear pump	
Flow rate	l/min	17,28	17,28
Working pressure	bar	180	180
TANK CAPACITY			
Fuel	l	23	23
Hydraulic system	l	21,2	21,2
BRAKES			
Service	-	Sealed. Mechanical drive	
Parking	-	Mechanical drive	

	D201AHG	D301AHG	D350AHG	D450AHG
GENERAL				
		Rotating		
	2000	3000	3500	4500
			Articulated	
	695	984	1020	1370
	1084	1320	1790	2055
	1337	1742	2130	2670
	2083	2300	2831	2970
		Hydrostatic		
		No		
ENGINE				
	KUBOTA V1505-E4B		KUBOTA D1803-CR-T-E5B	
	18,5		32,8	
	2300		2400	
	92,6@1700		150,5@1500	
	4		3	
	Stage V, Tier 4		Stage V, Tier 4f	
	Mechanical pump		Common Rail and electronic management	
	-		DPF (Diesel particulate filter)	
	101		101	
	17	17	19	22
	50	50	54	35
	3955	3955	4515	4830
	4x4	4x4	4x4	4x4
	11.5/80-15.3	11.5/80-15.3	11.5/80-15.3	12.0/75-18
		12cc. Gear pump		
	25	25	26,6	26,6
	175	175	170	200
	37,5	37,5	44	44
	37,4	37,4	40	40
		Sealed. Hydraulic drive		
	Hydrostatic, retention	Sealed. Hydraulic drive		
	Negative, integrated in the transfer box	Negative brake and electro-hydraulic release		

TECHNICAL DATA

TECHNICAL DATA

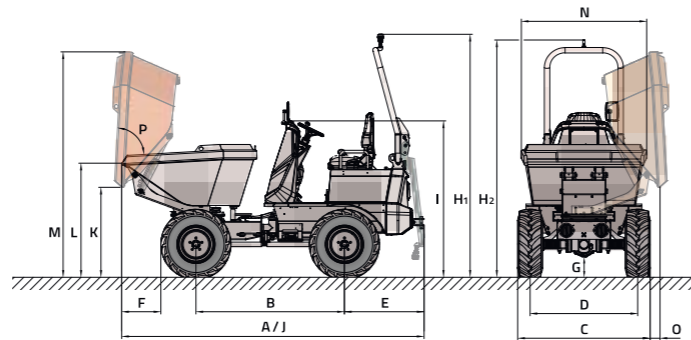
		D601AHG	D601APG
GENERAL			
Unloading system	-	Rotating	
Load capacity	kg	6000	6000
Chassis	-	Articulated	
Water hopper capacity	l	1665	1665
Level hopper capacity	l	2455	2455
Heaped hopper capacity	l	3154	3154
Empty weight	kg	4581	4687
Transmission	-	Hydrostatic	Torque converter
Reversibility	-	No	
ENGINE			
Brand / Model	-	DEUTZ TD3.6 L4	
Power	kW	55,4	
Operating speed	rpm	2200	
Torque	N·m	340@1500	
No. of cylinders	-	4	
Emissions	-	Stage V, Tier 4	
Injection	-	Common Rail	
Exhaust aftertreatment	-	DPF (Diesel particulate filter)	
Noise	dB(A)	101	
DRIVING			
Max. speed	km/h	25	25
Maximum gradient	%	45	45
External turning radius	mm	5900	5900
Traction	-	4x4	4x4
Tyres	-	405/70-20	405/70-20
HYDRAULIC SYSTEM			
Hydraulic circuit	-	Gear pump	
Flow rate	l/min	50	46
Working pressure	bar	180	180
TANK CAPACITY			
Fuel	l	69	69
Hydraulic system	l	60	60
BRAKES			
Service	-	Sealed. Hydraulic drive	
Parking	-	Negative brake and electro-hydraulic release	

	D1001APG	DR601AHG	DR1001AHG
GENERAL			
Unloading system	-	Rotating	
Load capacity	10000	6000	10000
Chassis	-	Articulated	
Water hopper capacity	1850	1665	1850
Level hopper capacity	3300	2455	3300
Heaped hopper capacity	3900	3154	3900
Empty weight	5153	4840	5050
Transmission	Torque converter	Hydrostatic	
Reversibility	No	Yes	
ENGINE			
Brand / Model	DEUTZ TCD3.6 L4 HT	DEUTZ TD3.6 L4	DEUTZ TCD3.6 L4 HT
Power	55,4	55,4	55,4
Operating speed	2200	2200	2200
Torque	405@1300	340@1500	405@1300
No. of cylinders	4	4	4
Emissions	Stage V, Tier 4	Stage V, EPA/CARB Tier 4	Stage V, EPA/CARB Tier 4
Injection	Common Rail	Common Rail and electronic management	Common Rail and electronic management
Exhaust aftertreatment	DPF (Diesel particulate filter)	DPF (Diesel particulate filter)	DPF (Diesel particulate filter)
Noise	101	101	101
DRIVING			
Max. speed	25	25	22
Maximum gradient	45	45	45
External turning radius	6287	5900	6287
Traction	4x4	4x4	4x4
Tyres	500/60-22.5	405/70-20	500/60-22.5
HYDRAULIC SYSTEM			
Hydraulic circuit	-	Gear pump	
Flow rate	46	50	50
Working pressure	180	180	180
TANK CAPACITY			
Fuel	69	69	69
Hydraulic system	60	60	60
BRAKES			
Service	-	Sealed. Hydraulic drive	
Parking	-	Negative brake and electro-hydraulic release	

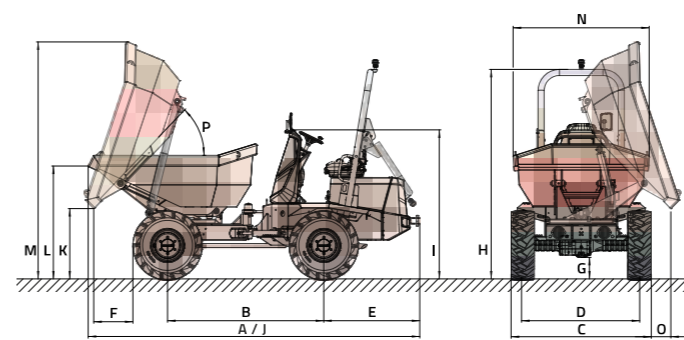
DIMENSIONS

DIMENSIONS

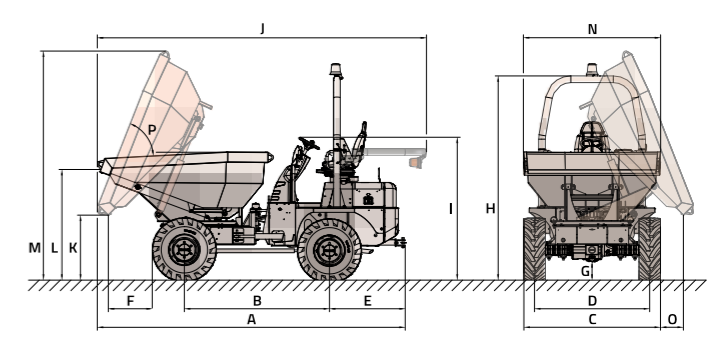
D101AEA / D151AEG



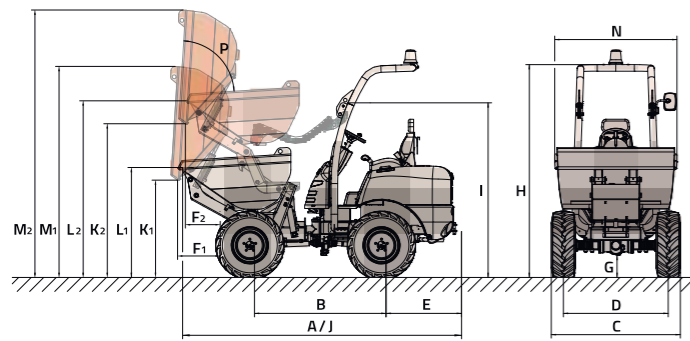
D201AHG / D301AHG



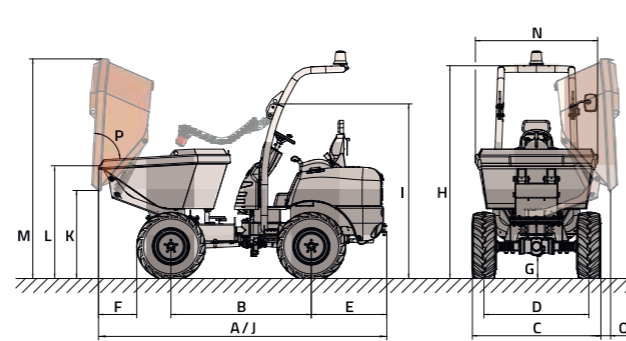
D350AHG / D450AHG



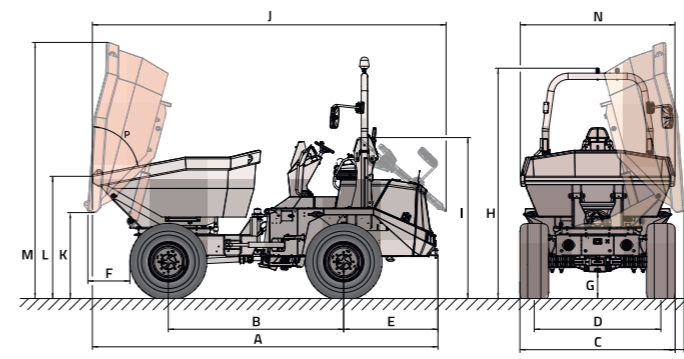
D100AHA / D120AHA / D150AHA



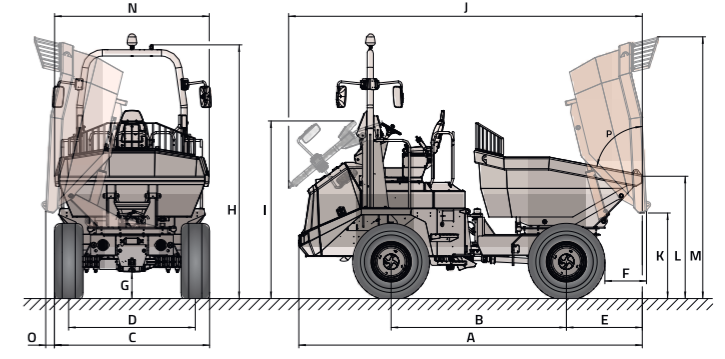
D100AHG / D120AHG / D150AHG



D601AHG / D601APG / D1001APG



DR601AHG / DR1001AHG



	D101AEA	D101AEA COMPACT		D151AEG	D100AHA		D100AHA COMPACT		D100AHG	D120AHA	D120AHG	D150AHA	
DIMENSIONS (mm)													
A	3260	3260	3260	3360	3200	3200	3200	3200	3200	3200	3200	3200	3200
B	1550	1550	1550	1650	1500	1500	1500	1500	1500	1500	1500	1500	1500
C	1083	990	1475	1100	990	1100	1210	1210	1480				
D	865	815	1195	865	815	865	925	925	1195				
E	885	885	885	860	860	860	860	860	860	860	860	860	860
F	497	531	460	500	460	545	505	500	460	420	460	460	420
G	186	144	220	210	170	210	250	250	250	250	250	250	250
H	2673	2613	2639	2579	2715	2655	2400	2360	2400	2440	2440	2440	2440
I	1713	1679	1755	1960	1920	1960	2000	2000	2000	2000	2000	2000	2000
J	3260	3260	3360	3200	3200	3200	3200	3200	3200	3200	3200	3200	3200
K	939	1639	888	1588	990	950	1710	910	1670	950	990	1750	1000
L	1214	1914	1163	1863	1260	1230	1980	1180	1940	1230	1270	2020	1270
M	2258	2958	2224	2924	2520	2250	3010	2210	2970	2350	2300	3050	2400
N	1000	1000	1400	1000	1000	1000	1200	1000	1200	1200	1200	1400	1400
O	-	-	130	-	-	-	310	-	260	-	-	-	-
DIMENSIONS (°)													
P	83	83	83	83	83	83	83	83	83	83	83	83	83

D150AHG	D201AHG	D301AHG	D350AHG	D450AHG	D601AHG	D601APG	D1001APG	DR601AHG	DR1001AHG
3300	3995	4140	4170	4380	4910	4910	5020	4910	5020
1600	1880	1950	1960	1960	2490	2490	2690	2490	2690
1480	1500	1750	1840	1860	2210	2210	2410	2210	2410
1195	1235	1460	1555	1555	1800	1800	1920	1800	1920
860	1200	1200	1025	1025	1340	1340	1340	1080	990
460	480	490	600	775	580	580	485	580	485
250	240	260	260	310	380	380	410	380	410
2440	2560	2605	2770	2820	3280 (3110*)	3280 (3110*)	3640 (3380*)	3610 (3350*)	3640 (3380*)
2000	1805	1850	1940	2100	2290	2290	2560	2530	2560
3300	3995	4140	4450	4660	5030	5030	5140	5030	5140
1000	935	865	870	735	1220	1220	1260	1220	1260
1290	1305	1420	1490	1640	1740	1740	1820	1740	1820
2500	2910	2950	3090	3190	3640	3640	3830	3720	3940
1400	1480	1700	1850	1870	2200	2200	2330	2200	2330
135	260	250	310	520	110	110	155	110	155
83	49	46,5	65	65	75	75	75	75	75

* With closed cab.

EQUIPMENT

	D101AEA	D151AEG	D100 AHA / AHG	D120 AHA / AHG	D150 AHA / AHG	D201AHG	D301AHG	D350AHG	D450AHG	D601AHG	D601APG	D1001 APG	DR 601AHG	DR1001AHG
DRIVING POSITION														
Front folding ROPS protective structure			●	●	●									
Rear folding ROPS protective structure	●	●	○	○	○	●	●	●	●	●	●	●	●	●
FOPS protective roof on ROPS protective structure			○	○	○									
Closed ROPS/FOPS cab with heating										○	○	○	○	○
Closed ROPS/FOPS cab with heating and air conditioning										○	○	○	○	○
SAFETY														
Seat belt with fasten sensor	●	●				●	●	●	●	●	●	●	●	●
Seat with operator's presence sensor	●	●				●	●	●	●	●	●	●	●	●
Rotating beacon			●	●	●			●	●					
LED rotating beacon	●	●				●	●			●	●	●	●	●
LED green rotating beacon	○	○				○	○			○	○	○	○	○
Acoustic warning for reverse gear	●	●	●	●	●	●	●	●	●	●	●	●	●	●
Battery master switch	●	●				●	●			●	●	●	●	●
Emergency stop	●	●	○	○	○	○	○			●	●	●	●	●
Anti-vandal security system	●	●	●	●	●	●	●	●	●	●	●	●	●	●
Hill Holder - hill-start assist	●	●								●			●	●
Negative brake	●	●				●	●	●	●	●	●	●	●	●
Full visibility camera on the skip side									●	●	●	●	●	●
Full visibility cameras on the skip and counterweight sides and proximity sensors						○	○	○	○					
Full visibility camera on the counterweight side and proximity sensors										○	○	○	○	○
Protective grille on the skip												●	●	●
Reflective decals on rear body	○	○	○	○	○	○	○	○	○	○	○	○	○	○
LIGHTING AND DRIVING														
Road lights	○	○	○	○	○	○	○	○	○	○	○	○	○	○
Front LED work lights	○	○				○	○							
Rear-view mirror	●	●	●	●	●	●	●	●	●	●	●	●	●	●
Second rear-view mirror						○	○			○	○	○	○	○
Third rear-view mirror										○	○	○	○	○
COMFORT														
Adjustable ergonomic seat	●	●	●	●	●	●	●	●	●	●	●	●	●	●
Highly comfortable seat, fully adjustable	○	○	○	○	○									
All-in-one joystick	●	●	●	●	●	●	●	●	●	●	●	●	●	●
ADVANCED EQUIPMENT														
Electric transmission	●	●												
Hydrostatic transmission			●	●	●	●	●	●	●	●			●	●
Limited-slip differential on both axles										●	●	●	●	●
ECO Mode system										●			●	●
Smart Stop system										○	○	○	○	○
Digital display	●	●								●	●	●	●	●
Advanced support	●	●												
AUSAnow fleet manager	○	○	○	○	○	○	○	○	○	○	○	○	○	○
Additional battery for longer range (+3.1 kWh)	○	○												

	D101AEA	D151AEG	D100 AHA / AHG	D120 AHA / AHG	D150 AHA / AHG	D201AHG	D301AHG	D350AHG	D450AHG	D601AHG	D601APG	D1001 APG	DR 601AHG	DR1001AHG
ACCESSORIES														
Metal engine cover	●	●	○	○	○	●	●							
Front mudguards	○	○				○	○	○	○	○	○	○	○	○
Reverse gear acoustic warning disable switch	○	○	○	○	○	○	○	○	○	○	○	○	○	○
Acoustic warning for reverse gear with white noise	○	○	○	○	○	○	○	○	○	○	○	○	○	○
Car radio													○	○
Waterproof document holder	○	○	○	○	○	○	○	○	○	○	○	○	○	○
Biodegradable hydraulic oil	○	○	○	○	○	○	○	○	○					○
Water separator diesel filter						○	○	●	●					
Air filter with cyclone pre-filter						○	○	○	○					
Towing ball and pintle hitch						○	○	○	○	○	○			
Towing ball and pintle hitch with power socket	○	○	○	○	○									
Rockinger hitch								○	○					
Rockinger hitch with power socket										○	○	○	○	○
Power socket for the trailer						○	○	○	○	○	○	○	○	○
TYRES														
Narrow tyres 10.0/75-15.3" TL - 14PR						○	○							
Turf tyres 400/60 -15.5" TL 14PR						○	○	○						
Pack of 4 turf wheels 400/60 -15.5" TL 14PR (Additional)						○	○	○						
Turf tyres 400/70-20" TL - 14PR													○	○
Pack of 4 turf wheels 400/70-20" TL - 14PR (Additional)													○	○
Turf tyres 500/50 -17" TL 18PR									○					
Pack of 4 turf wheels 500/50 -17" TL 18PR (Additional)									○					
SPARE PARTS														
Spare wheels	○	○	○	○	○	○	○	○	○	○	○	○	○	○
1,000 h maintenance kit	○	○	○	○	○	○	○	○	○	○	○	○	○	○

● Standard ○ Optional

AUSA
C/ Castelladral 1
08243 Manresa - Barcelona
SPAIN
Tel. +34 93 874 7311
ausa@ausa.com
www.ausa.com

AUSA Spain: +34 91 669 00 06 ausa.madrid@ausa.com
AUSA France: +33 (0) 4 68 54 38 97 - ausa.france@ausa.com
AUSA U.K.: +44 (0)7703 60 9009 - ausa.uk@ausa.com
AUSA Central Europe: +49 2384 9415725 - kontakt@ausa.com
AUSA U.S.: +1 (310) 426 2305 - ausa.us@ausa.com
AUSA CHINA: +86 10 8598 7386 - ausa.china@ausa.com

MKCAT.AD.EU.EN01

Distributor's stamp



www.ausa.com