

RIGID DUMPER

Payloads ranging from 1,500 kg to 2,000 kg. Indestructible, versatile and cost-effective





1500, 1750 kg

D150RM | D150 RMA
D175 RMS

4



2000 kg

D201RH | D201RHS
D201RHG | D201RHGS

8

Technical data

12

Dimensions

14

Equipment

15

RIGID DUMPER

1500 - 1750 KG

The smallest rigid dumper line is characterised by its perfect balance between a high loading capacity and low fuel consumption. With a 1.5 to 1.75-ton capacity, this is the most compact range with the highest manoeuvrability.

In addition, thanks to its simple mechanics, the maintenance costs are very low, resulting in greatly reduced operating costs.

As in any rigid dumper range, the robustness of the machine and its different engine sizes turn this into an indestructible work tool that can operate on any surface.



FEATURED EQUIPMENT

Rear-wheel steering with smaller wheels for greater compactness and manoeuvrability. **Audible reverse alarm**, ensuring the safety of the surrounding area. **Power steering** for greater comfort and reduced operator fatigue. **Easy-to-access components** to reduce downtime for maintenance.



D150RM 1500KG
 UNLOADING SYSTEM FRONTAL TRACTION 4x2 / 4x4
 POWER 10/12,1KW WIDTH 1.560MM TRANSMISSION MECÁNICA



D150RMA 1500KG
 UNLOADING SYSTEM HIGH TRACTION 4x2 / 4x4
 POWER 10/12,1KW WIDTH 1.560MM TRANSMISSION MECÁNICA



D175RMS 1750KG
 UNLOADING SYSTEM FRONTAL TRACTION 4x2 / 4x4
 POWER 10/12,1KW WIDTH 1.560MM TRANSMISSION MECÁNICA

RIGID DUMPER

2000 KG

With permanent all-wheel drive and a self-loading shovel, these models with a 2-ton payload are the ideal option for mid-sized jobs, with no need for a dedicated loading shovel.

Thanks to its simple mechanics, the maintenance costs are very low, resulting in greatly reduced operating costs. Additionally, the different front and side tipping options make this the most versatile product available on the market.

A second passenger seat can be installed in this dumper, which makes it perfect for loading and transport operations in which two operators are required.



FEATURED EQUIPMENT

Folding protective ROPS structure to make it easier to transport. **Permanent 4x4 drive** so it can handle any terrain. **Swivel skip** with front and side tipping. **Rear-wheel steering** and four wheels of identical size, for more stability and capacity on any surface. **Hydrostatic transmission**, ensuring optimal comfort and safety. **Ergonomic joystick** that controls the skip movements and the transmission. **Easy-to-access components** to reduce downtime for maintenance.



D201RH/RHS 2000KG
UNLOADING SYSTEM FRONTAL TRACTION 4x4
POWER 18,5KW WIDTH 1.750MM TRANSMISSION HYDROSTATIC



D201RHG/RHGS 2000KG
UNLOADING SYSTEM ROTATING TRACTION 4x4
POWER 18,5KW WIDTH 1.750MM TRANSMISSION HYDROSTATIC



TECHNICAL DATA

TECHNICAL DATA

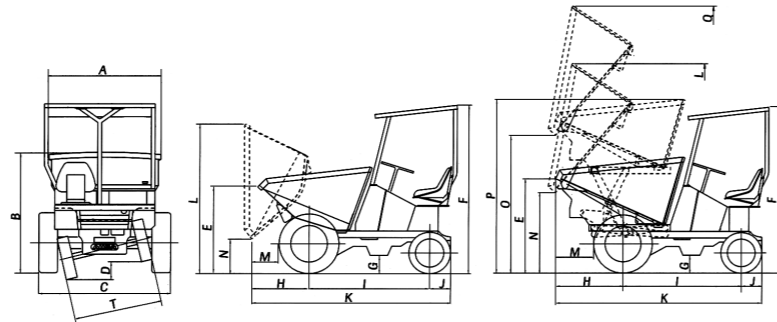
		D150RM	D150RMx4	D150RMA	D150RMAx4
GENERAL					
	UNIT				
Unloading system	-	Frontal		High	
Load capacity	kg	1500		1500	
Chassis	-	Rigid			
Water hopper capacity	l	608		630	
Level hopper capacity	l	868		970	
Heaped hopper capacity	l	1047		1100	
Empty weight	kg	950		1360	
Transmission	-	Mechanical			
Reversibility	-	No			
ENGINE					
Brand	-	HATZ // KUBOTA			
Model	-	1D90Z // D902-E4B			
Power	kW	10@2550 // 12,1@2400			
Operating speed	rpm	2800 // 2770			
Torque	N·m	43@2000 // 54,6@1900			
No. of cylinders	-	1 // 3			
Emissions	-	Stage V // Stage V - Tier4			
Noise	dB(A)	101			
DRIVING					
Max. speed	km/h	21 // 19		21 // 19	
Maximum gradient	%	30 // 35		26 // 30	
External turning radius	mm	3470	3620	3470	3620
Traction	-	4x2	4x4 FullGrip®	4x2	4x4 FullGrip®
Front tyres	-	7.50-16		7.50-16	
Rear tyres	-	145/80 R13	16.5/80-12	145/80 R13	16.5/80-12
HYDRAULIC SYSTEM					
Flow rate	l/min	20 // 26.4		20 // 26.4	
Working pressure	bar	115		150	
TANK CAPACITY					
Fuel	l	13,5		13,5	
Hydraulic system	l	16,5		16,5	
BRAKES					
Service	-	Drum brake. Hydraulic drive on front axle			
Parking	-	Mechanical, on front axle			

	D175RMS	D175RMSx4	D201RH / D201RHS	D201RHG / D201RHGS
	Frontal		Frontal	Rotating
	1750		2000	2000
			Rigid	
	608		700	650
	868		960	930
	1047		1250	1230
	1230		1900	2100
	Mechanical		Hydrostatic	Hydrostatic
			No	
	HATZ // KUBOTA		KUBOTA	
	1D90Z // D902-E4B		V1505-E4B	
	10@2550 // 12,1@2400		18.5@2300	
	2800 // 2770		2500	
	43@2000 // 54,6@1900		92,6@1700	
	1 // 3		4	
	Stage V // Stage V - Tier4		Stage V - Tier4	
	101		101	
	21 // 19		18	18
	22 // 26		35	35
	3470	3620	4190	4190
	4x2	4x4 FullGrip®		
	7.50-16		10.0/75-15.3	10.0/75-15.3
	145/80 R13	16.5/80-12	10.0/75-15.3	10.0/75-15.3
	20 // 26.4		18	18
	120		180	180
	13,5		40	40
	16,5		40	40
	Drum brake. Hydraulic drive on front axle		Sealed oil-immersed multi-disc brakes	
	Mechanical, on front axle		Sealed oil-immersed multi-disc brakes	

DIMENSIONS

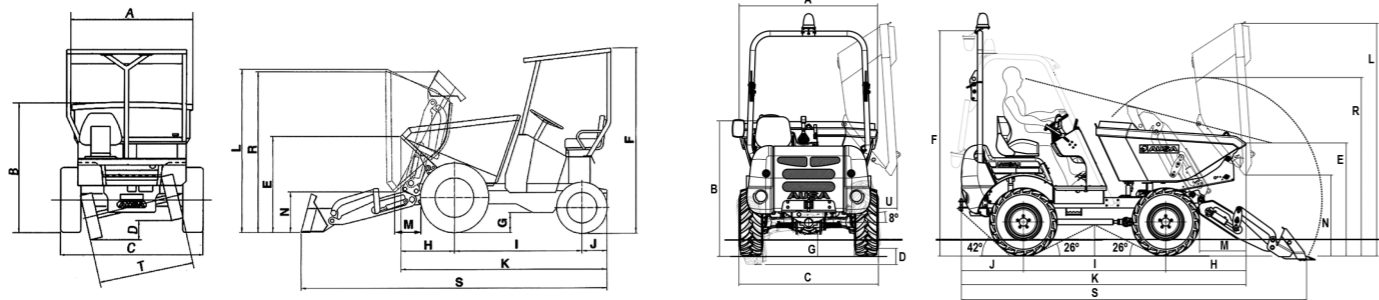
EQUIPMENT

D150RM / D150RMA



D175RMS

D201RH / D201RHS / D201RHG / D201RHGS



D150RM D150RMx4 D150RMA D150RMAx4 D175RMS D175RMSx4 D201RH D201RHS D201RHG D201RHGS

DIMENSIONS (mm)	D150RM	D150RMx4	D150RMA	D150RMAx4	D175RMS	D175RMSx4	D201RH	D201RHS	D201RHG	D201RHGS
A	1560	1560	1560	1560	1560	1560	1565	1565	1540	1540
B	1310	1310	1440	1440	1310	1310	1445	1445	1545	1545
C	1560	1560	1560	1560	1560	1560	1750	1750	1750	1750
D	200	200	200	200	200	200	185	185	185	185
E	1110	1110	1220	1220	1100	1100	1195	1195	1295	1295
F	2095	2095	2095	2095	2095	2095	2580	2580	2580	2580
G	225	225	225	225	225	225	255	255	255	255
H	610	610	830	830	610	610	885	885	925	925
I	1440	1440	1440	1440	1440	1440	1640	1640	1640	1640
J	280	280	280	280	280	280	715	715	715	715
K	2330	2330	2550	2550	2330	2330	3020	3020	3280	3280
L	1855	1855	2590	2590	1855	1855	2245	2245	2665	2665
M	200	200	440	440	200	200	275	275	535	535
N	480	480	1015	1015	480	480	570	570	930	930
O	-	-	1710	-	-	-	-	-	-	-
P	-	-	2135	-	-	-	-	-	-	-
Q	-	-	3285	-	-	-	-	-	-	-
R	-	-	-	-	1793	1793	2045	2045	2045	2045
S	-	-	-	-	3464	3464	-	3980	-	3980
T	1225	1225	1225	1225	1225	1225	1590	1590	1590	1590
U	-	-	-	-	-	-	-	-	215	215

D150RM D150RMA D175RMS D201RH D201RHS D201RHG D201RHGS

DRIVING POSITION

Folding protective ROPS structure				●	●	●	●
ROPS/FOPS overhead guard, seat belt, rotating beacon and rear-view mirror	●	●	●	○	○	○	○
Folding protective ROPS structure, seat belt and rotating beacon	○	○	○				
Front windscreen with windscreen wiper	○	○	○	○	○	○	○

SAFETY

Inertia-reel seat belt				●	●	●	●
Rotating beacon				●	●	●	●
Anti-vandal security system	●	●	●	●	●	●	●

LIGHTING AND DRIVING

Running lights	○	○	○	○	○	○	○
Power steering	●	●	●	●	●	●	●

COMFORT

Adjustable ergonomic seat	●	●	●	●	●	●	●
Second passenger seat				○	○	○	○
Joystick with total motion control				●	●	●	●

ADVANCED EQUIPMENT

AUSAnow fleet manager				○	○	○	○
-----------------------	--	--	--	---	---	---	---

IMPLEMENTS

Self-loading shovel			●		●		●
Self-loading shovel with teeth				○	○	○	○

ACCESSORIES

Acoustic warning for reverse gear	●	●	●	●	●	●	●
Audible reverse alarm with white noise				○	○	○	○
Sealed document holder	○	○	○				
Cold country pack				○	○	○	○
Biodegradable hydraulic oil	○	○	○	○	○	○	○
Ball and tow hitch	○	○	○	○	○	○	○
Tow hitch	○	○	○	○	○	○	○
Power socket for the trailer	○	○	○	○	○	○	○

RECAMBIOS

1,000 h maintenance kit	○	○	○	○	○	○	○
Standard spare wheel	○	○	○	○	○	○	○

● Standard ○ Optional

AUSA
C/ Castelladral 1
08243 Manresa - Barcelona
SPAIN
Tel. +34 93 874 7311
ausa@ausa.com
www.ausa.com

AUSA Spain: +34 91 669 00 06 ausa.madrid@ausa.com
AUSA France: +33 (0) 4 68 54 38 97 - ausa.france@ausa.com
AUSA U.K.: +44 (0)7703 60 9009 - ausa.uk@ausa.com
AUSA Central Europe: +49 2384 9415725 - kontakt@ausa.com
AUSA U.S.: +1 (310) 426 2305 - ausa.us@ausa.com
AUSA CHINA: +86 10 8598 7386 - ausa.china@ausa.com

MKCAT.RD.EU.EN00

Distributor's stamp



www.ausa.com