



Articulated Dumper Range

Dumpers with a capacity of 1 to 10 tons. Robust, compact and durable

AUSA EUROPEAN MANUFACTURER

Robustness, safety and versatility

AUSA's dumper range is synonymous with robustness, safety, efficiency and cost-effectiveness. Our equipment stands out for its exceptional durability and ability to adapt to any surface. Regardless of the difficulty of the terrain or the space limitations, there is an AUSA dumper for each application and working environment (1000 kg to 10,000 kg).

At AUSA, we also work very hard to create designs that combine aesthetics and functionality. Our products provide the best performance and the highest levels of safety, comfort, manoeuvrability, visibility, ergonomics, load capacity and resistance. When combined, these concepts give you greater return on your investment.

Available with 4WD traction, hydrostatic transmission, torque converter (in high capacity models), hoppers with front, height and swivel unloading, as well as various adaptable accessories, AUSA's dumper range provides a wide variety of transportation solutions.



1. Headquarters 2. Assembly plant 3. Test, demonstration and training area 4. Warehouse for completed machines

ARTICULATED DUMPER RANGE



D 100 AHA
1000 kg

D 100 AHG
1000 kg

D 120 AHA
1200 kg

D 120 AHG
1200 kg

Pages 04-05



D 450 AHG
4500 kg

D 601 AHG
6000 kg

D 601 APG
6000 kg

Pages 06-07

Pages 08-09

AUSA SERVICES

Our priority is the customer, which is why we provide a full range of solutions and services that undoubtedly contribute to improving your collaboration with AUSA.



FINANCING



TECHNICAL SUPPORT



MAINTENANCE



SPARE PARTS



TRAINING



WEBSITE FOR CUSTOMERS

A DISTRIBUTION NETWORK AT YOUR SERVICE

AUSA has a wide range of official distributors all over the world. Go to our website to find the one closest to you.

<https://www.ausa.com/>



D 150 AHA
1500 kg

D 150 AHG
1500 kg

D 300 AHG
3000 kg

D 350 AHG
3500 kg

Pages 04-05

Pages 06-07



D 1001 APG
10000 kg

Pages 10-11



DR 601 AHG
6000 kg

Pages 12-13



DR 1001 AHG
10000 kg

D 100 - 120 - 150 A

Articulated dumper 1000 - 1200 - 1500 kg

Our smallest articulated dumpers line is characterised by its reduced dimensions, combining unparalleled manoeuvrability with a high load capacity, both in terms of volume and tonnage. All without renouncing the safety of the driver and his environment, as thanks to its design, a low centre of gravity is achieved.

Robust and efficient, all models feature 4WD hydrostatic transmission, articulated $\pm 35^\circ$, pendulum of $\pm 13^\circ$, reduced turning radius and capacity to work on steep gradients and uneven terrain.



• **ROPS foldable roll bar** to facilitate its transportation.

• **Spaciousness in the driver's seat** for comfortable and ergonomic handling that facilitates visibility and safety.

• **Protective structure** for the user.

• **Easy access** to internal components to reduce the time and cost of maintenance work.

• **The All-in-One-Hand joystick** provides better ergonomics, perfect control and faster movements.





• **Axles with epicyclic final reduction and sealed brakes** that provide greater traction capacity.

D 100 AHA COMPACT

D 100 AHA 

D 100 AHG 



Characteristics				
D 100 AHA Compact	1000	15,6	1000	H-4x4
D 100 AHA	1000	15,6	1100	H-4x4
D 100 AHG	1000	15,6	1100	H-4x4





Advantages

- Its reduced external dimensions make it the perfect option for working in small and narrow spaces. Compact option (width 1000 mm).
- With a high level of manoeuvrability, it can work and circulate easily in urban areas and buildings that are being renovated.
- Despite its small size, it has a maximum load of up to 1000 kg.

D 120 AHA

D 120 AHG 



Characteristics				
D 120 AHA	1200	15,6	1210	H-4x4
D 120 AHG	1200	15,6	1210	H-4x4





Advantages

- Its reduced external dimensions make it the perfect option for working in small and narrow spaces.
- With a high level of manoeuvrability, it can work and circulate easily in urban areas and buildings that are being renovated.
- Despite its small size, it has a maximum load of up to 1000 kg.

D 150 AHA

D 150 AHG 



Characteristics				
D 150 AHA	1500	15,6	1480	H-4x4
D 150 AHG	1500	15,6	1480	H-4x4

Advantages

- Extremely versatile product with an excellent ratio between load capacity (1500 kg) and power capacity (15.6 kW).
- It stands out for its ability to combine strength and robustness with very reduced dimensions, undoubtedly the best combination in its segment.
- Comfortable and ergonomic, it is easy to drive and has excellent manoeuvrability.

D 300 - 350 - 450 A

Articulated dumper 3000 - 3500 - 4500 kg

Versatile, powerful and with great off-road capability. The AUSA range of medium payload capacity dumpers stand out for their robust chassis and great driving comfort thanks to the hydrostatic transmission and exclusive articulation.

Their payloads, combined with powerful engines, allow them to tackle steep slopes while maintaining low fuel consumption.

They are undoubtedly the best alternative for work on any terrain, becoming a highly versatile and powerful product with a compact size.



D 300 AHG






Characteristics				
D 300 AHG	3000	18,5	1840	H-4x4

Advantages

- Robust: uses the same chassis, transmission and engine cooling as the more advanced model, D450AHG.
- 4-cylinder engine with a torque of 92.6 Nm @ 1700 rpm.

D 350 AHG



Characteristics				
D 350 AHG	3500	36,5	1850	H-4x4

Advantages

- Powerful and robust, it is the most balanced option in terms of load capacity, volume and off-road capability.
- Ease of use, as well as a high level of comfort when driving.

D 450 AHG



Characteristics				
D 450 AHG	4500	36,5	1870	H-4x4

Advantages

- Particularly recommended for transporting large loads.
- It is the biggest dumper of this line and was specially designed for large-scale operations on all terrains.
- Reduced maintenance costs.

D 601 A

Articulated dumper 6000 Kg

Cost-effective, safe and high-tech. With an 180-degree swing skip and 6-ton payload, it has hydrostatic transmission for maximum comfort and safety.

With the D601AHG dumper, you will have an efficient and environmentally-friendly dumper. Equipped with the ECO Mode system as standard, which automatically regulates the machine's RPM at low speeds, and the optional Smart Stop feature, which switches off the engine when it is not in use, you will significantly improve fuel consumption, maintaining low CO2 emissions.

You will also have an exceptionally safe system. It features a new Hill Holder system, which automatically engages the brake when you take your foot off the accelerator at speeds close to zero mph. Imagine how easy it will be to manoeuvre on any slope!

• **ECO Mode** to automatically regulate the RPM to ensure low consumption and reduced maintenance costs.

• **Digital screen** with all of the information about the machine and self-diagnostics.

• **Smart Stop**, which switches off the machine's engine when it is not in use, to make it more cost-effective.



• **Easy access to all internal components** to reduce costs and facilitate maintenance.

• **The limited-slip differential** on both axles offer the best all-terrain traction available on the market.

• **Hill holder**, which keeps the machine stationary on any slope, without putting your foot on the brake.

D 601 AHG



Characteristics

				
D 601 AHG	6000	55,4	2210	H-4x4

Advantages

- Reduced fuel consumption and low emissions thanks to the ECO Mode and Smart Stop systems.
- The Hill Holder system provides a major boost to safety for the driver and the surrounding area.
- The powerful engine and the limited-slip differential on both axles provide high tractive force.

D 601 APG



Characteristics

				
D 601 APG	6000	55,4	2210	P-4x4

Advantages

- The transmission with a torque converter ensures the fast delivery of power and simple maintenance.
- Reduced fuel consumption and service hours thanks to the Smart Stop system.
- The powerful engine and the limited-slip differential on both axles provide high tractive force.

D 1001 A

Articulated dumper 10,000 kg

The highest payload capacity dumper is designed to tackle the biggest jobs. Thanks to their high level of power, limited-slip differential on both axles and 4x4 drive, it is unrivalled dumper for transporting large amounts of earth on any type of surface.

The digital screen, located in the operator's position, offers all the information and warnings of the machine in real time and has a self-diagnosis system that facilitates and speeds up any need for technical support.

Furthermore, the standard front camera provides greater safety for the driver and the surrounding area, enabling a more relaxed and efficient driving experience.

• Foldable ROPS roll bar to facilitate their transportation, with gas shock absorbers to assist with folding and unfolding.

• Digital screen with all of the information about the machine and self-diagnostics.

• Smart Stop, which switches off the machine's engine when it is not in use, to make it more cost-effective.



• The All in One Hand joystick in the driver's seat provides better ergonomics, total control and increased precision in movements.

• Spaciousness in the driver's seat for comfortable and ergonomic handling, facilitating visibility and safety during use.

• Front camera to increase operating safety.

D 1001 APG



Characteristics

Model	Capacity (kg)	Power (kW)	Length (m)	Drive
D 1001 APG	10000	55,4	2410	P-4x4



Advantages

- Swing-tip skip designed to provide great visibility.
- Elevated driving position for maximum visibility of the surrounding area.
- Equipped with high-power engine sizes and excellent torque.

DR 601 - 1001 A

Reversible dumper 6000 - 10,000 kg

The DR601AHG and DR1001AHG comprise the most advanced range of reversible dumpers. The driving position can rotate 180 degrees easily, instantly adapting the driver's new position: steering wheel, joystick, pedals, cameras... The reversible function enables faster and safer operations than on a conventional dumper, so productivity is much higher.

The driver can also comfortably and safely get on and off both sides of the dumper, increasing the flexibility of all operations.



DR 601 AHG



Characteristics

DR 601 AHG	 6000	 55,4	 2210	 H-4x4
------------	--	--	--	---

Advantages

- 6,000 kg payload dumper with swing skip.
- Technologically advanced, with different systems to increase performance and safety.
- Powerful engine of 55.4 kW and 340 Nm @ 1500 rpm.
- Unmatched all-terrain capability with axles with limited-slip differential and hydrostatic drive.

DR 1001 APG



Characteristics

DR 1001 APG	 10000	 55,4	 2410	 P-4x4
-------------	---	--	--	---

Advantages

- 10,000 kg payload dumper with swing skip and hydrostatic drive.
- Technologically advanced, with different systems to increase performance and safety.
- Powerful engine of 55.4 kW and 405 Nm @ 1300 rpm.
- Unmatched all-terrain capability with axles with limited-slip differential and hydrostatic drive.

TECHNICAL DATA

		D 100 AHA COMPACT	D 100 AHA
GENERAL		UNIT	
Unloading system	-	High	High
Load capacity	kg	1000	1000
Chassis	-	Articulated and oscillating	
Water hopper capacity	l	345	345
Level hopper capacity	l	395	395
Heaped hopper capacity	l	565	565
Empty weight	kg	1300	1300
Transmission	-	Hydrostatic	
ENGINE			
Brand	-	KUBOTA	
Model	-	D1105-E4B	
Power	kW	15,6	
Operating speed	rpm	2400	
Torque	N·m@rpm	71,4@1600	
No. of cylinders	-	3	
Emissions	-	Stage V, EPA Tier 4	
Noise	dB(A)	101	
DRIVING			
Max. speed	km/h	15	15
Maximum gradient	%	38	38
External turning radius	mm	3060	3060
Traction	-	4x4	4x4
Tyres	-	6.5/80-12	27x8.5-15
HYDRAULIC SYSTEM			
Hydraulic circuit	-	8 cc gear pump	
Flow rate	l/min	17,28	17,28
Working pressure	bar	180	180
TANK CAPACITY			
Fuel	l	23	23
Hydraulic system	l	21,2	21,2
BRAKES			
Service	-	Sealed brakes with multiple discs in oil. Mechanical drive	
Parking	-	Sealed brakes with multiple discs in oil. Mechanical drive	



FINANCE

Our aim is to provide high-quality finance services to help our customers to prosper. Therefore, in AUSA Finance we have the best finance solutions, tailored to you: personalized payment plans, leasing, renting, etc. In AUSA Finance we have a team of experts who will find the best finance solution to meet your business needs, making every step as simple as possible to ensure that you quickly have your new machine, ready for work.

	D 100 AHG	D 120 AHA	D 120 AHG
Unloading system	Rotating	High	Rotating
Load capacity	1000	1200	1200
Chassis	Articulated and oscillating		
Water hopper capacity	325	425	415
Level hopper capacity	390	515	495
Heaped hopper capacity	545	700	695
Empty weight	1300	1375	1375
Transmission	Hydrostatic		
ENGINE			
Brand	KUBOTA		
Model	D1105-E4B		
Power	15,6		
Operating speed	2400		
Torque	71,4@1600		
No. of cylinders	3		
Emissions	Stage V, EPA Tier 4		
Noise	101		
DRIVING			
Max. speed	15	17	17
Maximum gradient	38	48	48
External turning radius	3035	3125	3095
Traction	4x4	4x4	4x4
Tyres	27x8.5-15	10.0/75-15.3	10.0/75-15.3
HYDRAULIC SYSTEM			
Hydraulic circuit	8 cc gear pump		
Flow rate	17,28	17,28	17,28
Working pressure	180	180	180
TANK CAPACITY			
Fuel	23	23	23
Hydraulic system	21,2	21,2	21,2
BRAKES			
Service	Sealed brakes with multiple discs in oil. Mechanical drive		
Parking	Sealed brakes with multiple discs in oil. Mechanical drive		



TECHNICAL SUPPORT

We know that your machine should be running when you need it and with minimal operating costs. With a network of over 500 AUSA dealers across the world, we make sure that, if you have any unexpected problems, you always have someone nearby, ready to help.

Also, if you want, you can request a maintenance contract that best suits your intended use of your new equipment.

TECHNICAL DATA

		D 150 AHA	D 150 AHG
GENERAL		UNIT	
Unloading system	-	High	Rotating
Load capacity	kg	1500	1500
Chassis	-	Articulated and oscillating	
Water hopper capacity	l	605	520
Level hopper capacity	l	681	626
Heaped hopper capacity	l	841	900
Empty weight	kg	1510	1510
Transmission	-	Hydrostatic	
ENGINE			
Brand	-	KUBOTA	
Model	-	D1105-E4B	
Power	kW	15,6	
Operating speed	rpm	2400	
Torque	N·m@rpm	71,4@1600	
No. of cylinders	-	3	
Emissions	-	Stage V, EPA Tier 4	
Injection	-	-	
Exhaust aftertreatment	-	-	
Noise	dB(A)	101	
DRIVING			
Max. speed	km/h	14	14
Maximum gradient	%	40	40
External turning radius	mm	3260	3260
Traction	-	4x4	4x4
Tyres	-	10.0/75-15.3	10.0/75-15.3
HYDRAULIC SYSTEM			
Hydraulic circuit	-	8 cc gear pump	
Flow rate	l/min	17,28	17,28
Working pressure	bar	180	180
TANK CAPACITY			
Fuel	l	23	23
Hydraulic system	l	21,2	21,2
BRAKES			
Service	-	Sealed brakes. Hydraulic drive	
Parking	-	Sealed brakes. Mechanical drive	



WARRANTY

From the minute you purchase your AUSA machine, it is covered by a warranty for 12 months or 1,000 service hours, which we can offer thanks to our experience and industrial know-how spanning over 60 years.

And if you want, you can increase your peace of mind by extending the warranty to up to 3 years, so that the only thing that you have to worry about is the next job you are going to do with your AUSA machine.

	D 300 AHG	D 350 AHG	D 450 AHG
	Rotating	Rotating	Rotating
	3000	3500	4500
	Articulated and oscillating		
	720	1020	1370
	1330	1790	2055
	1560	2130	2670
	2755	2831	2970
	Hydrostatic		
	KUBOTA	KUBOTA	
	V1505-E4B	D2403M	
	18,5	36,5	
	2300	2700	
	92,5@1700	160@1600	
	4	4	
	Stage V, EPA Tier 4i	Stage IIIA, EPA Tier 4i	
	Mechanical pump	Mechanical pump	
	-	-	
	101	101	
	17	19	22
	46	54	35
	4515	4515	4830
	4x4	4x4	4x4
	11.5/80-15.3	11.5/80-15.3	12.0/75-18
	12 cc gear pump		
	26,6	26,6	26,6
	170	170	200
	44	44	44
	40	40	40
	Sealed brakes. Hydraulic drive		
	Sealed brakes. Mechanical drive		



SPARE PARTS

Keep your AUSA equipment in perfect working order by only using original spare parts, as only they are the same as the top-quality components used to manufacture it. Installing other spare parts may prevent it from working properly and reduce its service life.

Always demand the installation of original spare parts to ensure the complete reliability and durability of your machine.

AUSA's official dealers make sure that original spare parts are available everywhere in the world.

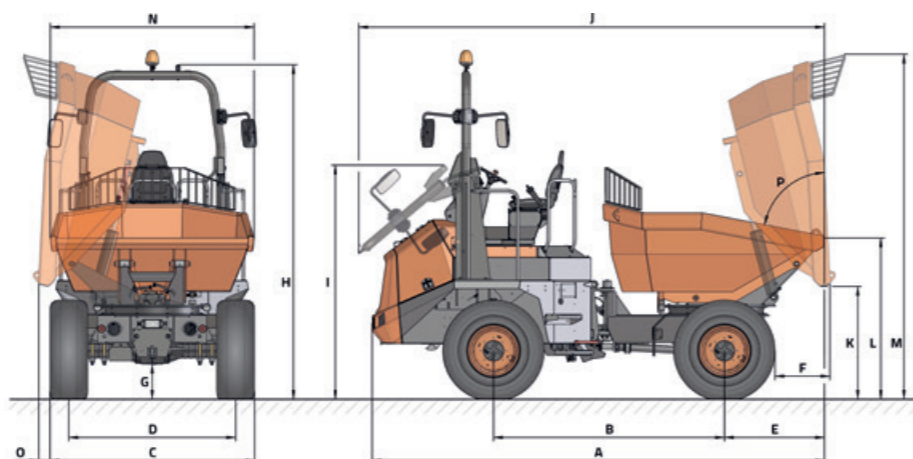
TECHNICAL DATA

		D 601 AHG	D 601 APG
GENERAL			
	UNIT		
Unloading system	-	Rotating	Rotating
Load capacity	kg	6000	6000
Chassis	-	Articulated and oscillating	
Water hopper capacity	l	1665	1665
Level hopper capacity	l	2455	2455
Heaped hopper capacity	l	3154	3154
Empty weight	kg	4465	4645
Transmission	-	Hydrostatic	Torque converter
ENGINE			
Brand	-	DEUTZ	
Model	-	TD3.6 L4	
Power	kW	55,4	
Operating speed	rpm	2200	
Torque	N·m@rpm	330@1600	
No. of cylinders	-	4	
Emissions	-	Stage IIIB, EPA Tier 4f	
Injection	-	Common Rail	
Exhaust aftertreatment	-	DOC (diesel oxidation catalyst)	
Noise	dB(A)	101	
DRIVING			
Max. speed	km/h	25	25
Maximum gradient	%	45	45
External turning radius	mm	5900	5900
Traction	-	4x4	4x4
Tyres	-	405/70-20	405/70-20
HYDRAULIC SYSTEM			
Hydraulic circuit	-	Double gear pump	
Flow rate	l/min	50	46
Working pressure	bar	180	180
TANK CAPACITY			
Fuel	l	69	69
Hydraulic system	l	60	60
BRAKES			
Service	-	Sealed brakes. Hydraulic drive	
Parking	-	Negative	

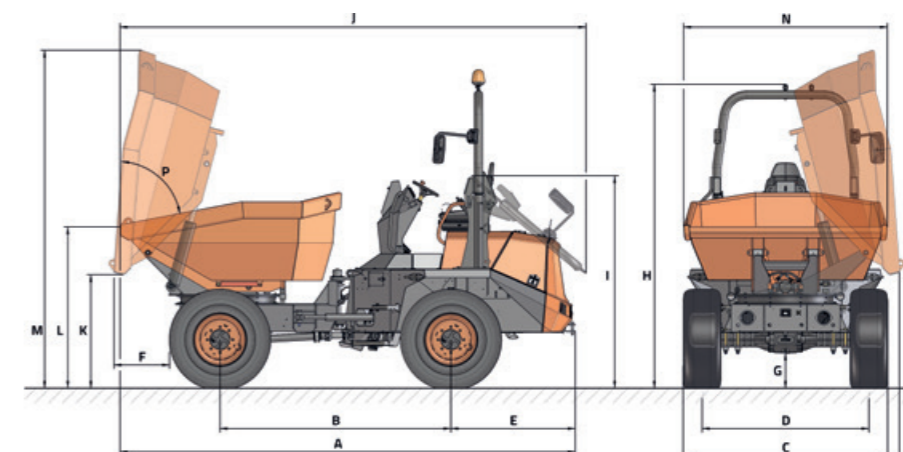
	D 1001 APG	DR 601 AHG	DR 1001 AHG
	Rotating	Rotating	Rotating
	10000	6000	10000
	Articulated and oscillating		
	1850	1665	1850
	3300	2455	3300
	3900	3154	3900
	5153	4840	5050
	Torque converter	Hydrostatic	Hydrostatic
	DEUTZ	DEUTZ	DEUTZ
	TCD 3.6 L4 HT	TD3.6 L4	TCD 3.6 L4 HT
	55,4	55,4	55,4
	2200	2200	2200
	405@1300	330@1600	405@1300
	4	4	4
	Stage IIIB, EPA Tier 4f	Stage IIIB, EPA Tier 4f	Stage IIIB, EPA Tier 4f
	Common Rail	Common Rail	Common Rail
	DOC (diesel oxidation catalyst)	DOC (diesel oxidation catalyst)	DOC (diesel oxidation catalyst)
	101	101	101
	25	25	22
	45	45	45
	6287	5900	6287
	4x4	4x4	4x4
	500/60-22.5	405/70-20	500/60-22.5
		Double gear pump	
	46	50	50
	180	180	180
	69	69	69
	60	60	60
		Sealed brakes. Hydraulic drive	
		Negative	

DIMENSIONS

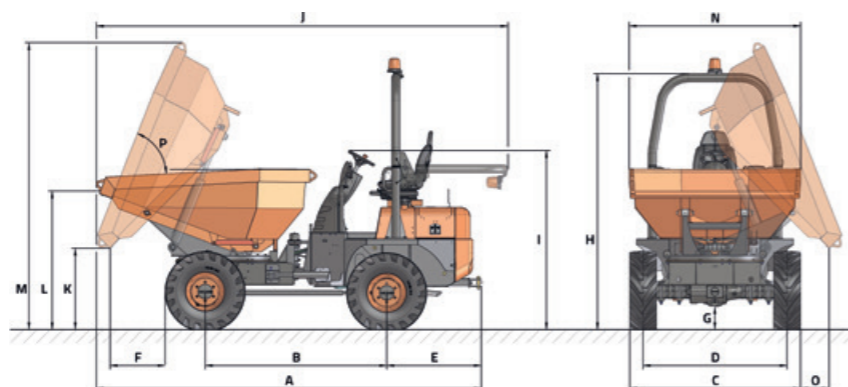
DR 601 AHG / DR 1001 AHG



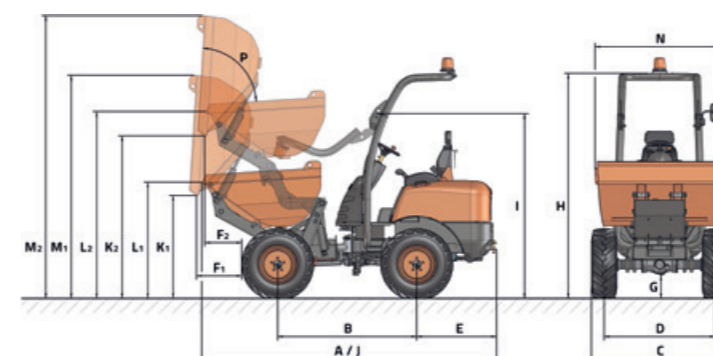
D 601 AHG / D 601 APG / D1001 APG



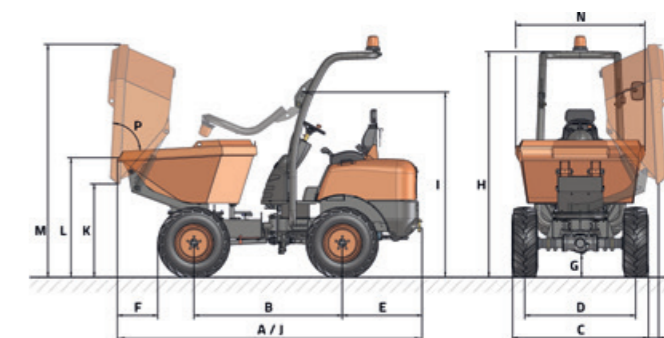
D 300 AHG / D 350 AHG / D 450 AHG



D 100 AHA / D 120 AHA / D 150 AHA



D 100 AHG / D 120 AHG / D 150 AHG



D 100 AHA COMPACT D 100 AHA D 100 AHG D 120 AHA D 120 AHG D 150 AHA D 150 AHG

DIMENSIONS (mm)	D 100 AHA COMPACT	D 100 AHA	D 100 AHG	D 120 AHA	D 120 AHG	D 150 AHA	D 150 AHG
A	3200	3200	3200	3200	3200	3200	3300
B	1500	1500	1500	1500	1500	1500	1600
C	990	1100	1100	1210	1210	1480	1480
D	815	865	865	925	925	1195	1195
E	860	860	860	860	860	860	860
F	545 505	500 460	500	460 420	460	460 420	460
G	170	210	210	250	250	250	250
H	2360	2400	2400	2440	2440	2440	2440
I	1920	1960	1960	2000	2000	2000	2000
J	3200	3200	3200	3200	3200	3200	3300
K	910 1670	950 1710	950	990 1750	1000	990 1750	1000
L	1180 1940	1230 1980	1230	1270 2020	1270	1270 2020	1290
M	2210 2970	2250 3010	2350	2300 3050	2400	2300 3050	2500
N	1000	1000	1000	1200	1200	1400	1400
O	-	-	310	-	260	-	135
DIMENSIONS (°)							
P	83	83	83	83	83	83	83

1 ▲ | ▲ 2

1 ▲ | ▲ 2

1 ▲ | ▲ 2

1 ▲ | ▲ 2

D 300 AHG D 350 AHG D 450 AHG D 601 AHG D 601 APG D 1001 APG DR 601 AHG DR 1001 AHG

4040	4170	4380	4910	4910	5020	4910	5020
1960	1960	1960	2490	2490	2690	2490	2690
1840	1840	1860	2210	2210	2410	2210	2410
1555	1555	1555	1800	1800	1920	1800	1920
1025	1025	1025	1340	1340	1340	1080	990
525	600	775	580	580	485	580	485
260	260	310	380	380	410	380	410
2770	2770	2820	3280 (3110*)	3280 (3110*)	3640 (3380*)	3610 (3350*)	3640 (3380*)
1940	1940	2100	2290	2290	2560	2530	2560
4320	4450	4660	5030	5030	5140	5030	5140
940	870	735	1220	1220	1260	1220	1260
1450	1490	1640	1740	1740	1820	1740	1820
3090	3090	3190	3640	3640	3830	3720	3940
1510	1850	1870	2200	2200	2330	2200	2330
250	310	520	110	110	155	110	155
65	65	65	75	75	75	75	75

* With closed cab

EQUIPMENT

	D 100AHA / AHG	D 120AHA / AHG	D 150AHA / AHG	D 300AHG	D 350AHG	D 450AHG	D 601AHG	D 601APG	D 1001 APG	DR 601AHG	DR 1001AHG
DRIVING POSITION											
Front folding ROPS protective structure	●	●	●								
Rear folding ROPS protective structure	○	○	○	●	●	●	●	●	●	●	●
FOPS protective roof on ROPS protective structure	○	○	○		○						
Closed ROPS/FOPS cab with heating							○	○	○	○	○
Closed ROPS/FOPS cab with heating and air conditioning							○	○	○	○	○
SAFETY											
Seat belt with fasten sensor				●	●	●	●	●	●	●	●
Seat with operator's presence sensor				●	●	●	●	●	●	●	●
Rotating beacon	●	●	●	●	●	●	●	●	●	●	●
LED rotating beacon						○	○	○	○	○	○
LED green rotating beacon								○	○	○	○
Acoustic warning for reverse gear	●	●	●	●	●	●	●	●	●	●	●
Emergency stop	○	○	○		○						
Anti-vandal security system	●	●	●	●	●	●	●	●	●	●	●
Hill Holder - hill-start assist							●			●	●
Negative brake							●	●	●	●	●
Full visibility camera on the skip side						●	●	●	●	●	●
Full visibility camera on the counterweight side and proximity sensors						○	○	○	○	○	○
Full visibility cameras on the skip and counterweight sides and proximity sensors				○	○						
Protective grille on the skip									○	○	○
LIGHTING AND DRIVING											
Road lights	○	○	○	○	○	○	○	○	○	○	○
Rear-view mirror	●	●	●	●	●	●	●	●	●	●	●
Second rear-view mirror							○	○	○	●	●
Third rear-view mirror							○	○	○		
COMFORT											
Adjustable ergonomic seat	●	●	●	●	●	●	●	●	●	●	●
Highly comfortable seat, fully adjustable	○	○	○			○					
All-in-one joystick	●	●	●	●	●	●	●	●	●	●	●
ADVANCED EQUIPMENT											
Hydrostatic transmission	●	●	●	●	●	●					
Hydrostatic transmission with electronic control							●			●	●
Limited-slip differential on both axles							●	●	●	●	●
ECO Mode system							●			●	●
Smart Stop system							○	○	○	○	○
Digital display							●	●	●	●	●
ACCESSORIES											
Metal engine cover	○	○	○								
Front mudguards				○	○	○	○	○	○	○	○
Reverse gear acoustic warning disable switch	○	○	○	○	○	○	○	○	○	○	○
Car radio							○	○	○	○	○
Waterproof document holder	○	○	○	○	○	○	○	○	○	○	○
Water separator diesel filter				○	○						

	D 100AHA / AHG	D 120AHA / AHG	D 150AHA / AHG	D 300AHG	D 350AHG	D 450AHG	D 601AHG	D 601APG	D 1001 APG	DR 601AHG	DR 1001AHG
ACCESSORIES											
Air filter with cyclone pre-filter				○		○					
Biodegradable hydraulic oil	○	○	○		○	○					
Ball and towing hitch				○		○	○	○			
Power socket for the trailer				○	○	○	○				
Ball and towing hitch with power socket	○	○	○								
Rockinger hitch				○	○	○					
Rockinger hitch with power socket							○	○	○	○	○
TYRES											
Narrow tyres 10.0/75-15.3" TL - 14PR				○							
Turf tyres 400/60 -155" TL 14PR				○							
Turf tyres 400/70-20" TL - 14PR							○	○		○	
Turf tyres 500/50-17" TL - 18PR						○					
Pack of 4 turf wheels 560/45-22.5" TL							○	○			
PARTS											
1,000 h maintenance kit	○	○	○	○	○	○	○	○	○	○	○
Standard spare wheel	○	○	○	○	○	○	○	○	○	○	○
Narrow wheel 100/75-153" TL - 14PR				○							
Pack of 4 narrow wheels 100/75-153" TL - 14PR				○							
Turf wheel 400/60-155" TL 14PR				○							
Pack of 4 turf wheels 400/60 -155" TL 14PR				○							
Turf wheel 400/70-20" TL - 14PR							○	○		○	
Pack of 4 turf wheels 400/70-20" TL - 14PR							○	○		○	
Turf wheel 500/50 -17" TL 18PR						○					
Pack of 4 turf wheels 500/50 -17" TL 18PR						○					

● Standard ○ Optional



DIGITAL DISPLAY



CLOSED ROPS/FOPS CAB WITH HEATING AND AIR CONDITIONING



REAR FOLDING ROPS PROTECTIVE STRUCTURE



MKCAT.AD.ROW.EN02

AUSA
C/ Castelladral 1
08243 Manresa - Barcelona
SPAIN
Tel. +34 93 874 7311
ausa@ausa.com
www.ausa.com

AUSA Spain: +34 91 669 00 06 ausa.madrid@ausa.com
AUSA France: +33 (0) 4 68 54 38 97 - ausa.france@ausa.fr
AUSA U.K.: +44 (0)7703 60 9009 - ausa.uk@ausa.com
AUSA Central Europe: +49 2384 9415725 - kontakt@ausa.com
AUSA U.S.: +1 (310) 426 2305 - ausa.us@ausa.com
AUSA CHINA: +86 10 8598 7386 - ausa.china@ausa.com



Distributor's stamp



www.ausa.com