

# TELEHANDLERS

Ultracompact, versatile and capable





**1600 kg ELECTRIC**

**4**

T 164E



**1350 kg**

**8**

T144H



**1600 kg**

**10**

T164H



**2000 - 2300 kg**

**12**

T204H

T235H

**AUSAnow**

**16**

**Technical data**

**18**

**Dimensions**

**21**

**Equipment**

**22**

# ELECTRIC TELEHANDLER

## 1600 KG

Electric, powerful, all-terrain. The T164E electric telescopic handler is the perfect vehicle for material lifting tasks with no CO2 emissions. It has been designed with sufficient capacity for a complete day of work without needing to be recharged.

And whenever necessary, it can be connected directly to the mains via a single-phase or three-phase socket. It also features a fast charger.

An ideal vehicle for working in emission-free spaces, such as greenhouses, municipal works carried out at night, indoors, etc.

With a peak power of 18.4 kW and excellent off-road capability, it can work on difficult terrain and gradients of up to 32%.

### FEATURED EQUIPMENT

**Charging cable** in the vehicle, so it can be plugged in at any time. **Ergonomic joystick** that controls the hydraulic functions and the transmission. **Seat belt with a buckle sensor and seat with presence sensor** to prevent the machine from being used without the minimum safety measures. **Digital screen** with all of the information about the machine and self-diagnostics. **Hill holder**, which keeps the machine stationary on any slope, without putting your foot on the brake. **Negative brake** that is applied automatically when the motor stops. **Energy recovery system** that increases the battery range.





Battery capacity  
**Up to 18.6 kWh**

Charging from  
20 to 80%  
**3:15 h\***

Battery type  
**Li-Ion**



**T164E 1600KG**  
MAXIMUM LIFT 4,000MM  
POWER 21.2KW WIDTH 1,480MM TRANSMISSION ELECTRIC



**T144H 1350 KG**  
MAXIMUM LIFT 4,000MM  
POWER 18.5KW WIDTH 1,405MM TRANSMISSION HYDROSTATIC

#### FEATURED EQUIPMENT

**Spacious driver's cab** for comfortable and safe handling. **Ergonomic joystick** that controls the movements of the panel, the hydraulic functions and the transmission. **Seat belt with a buckle sensor and seat with presence sensor** to prevent the machine from being used without following the minimum safety procedures. **Permanent 4WD** with automatic anti-slip system. **Hydrostatic transmission** to ensure smooth and safe operation for the user. **Slow approach pedal** for precise manoeuvring.

# TELEHANDLER

## 1350 KG

The T144H is the smallest ultra-compact telescopic handler available on the market. As it is only 1.4 metres wide, it is the best solution for handling and transporting materials in small spaces, especially in difficult-to-access areas with steep terrain. It can also easily be transported with a conventional trailer.

It has hydraulic functions and quick connect couplings for accessories and attachments, allowing it to be customised to suit each need. It is the perfect vehicle for landscaping work, greenhouses, agriculture and construction.





**T164H 1600 KG**  
MAXIMUM LIFT 4,000MM  
POWER 18.5KW WIDTH 1,480MM TRANSMISSION HYDROSTATIC

#### FEATURED EQUIPMENT

**Ergonomic joystick** that controls the hydraulic functions and the transmission. **Seat belt with a buckle sensor and seat with presence sensor** to prevent the machine from being used without the minimum safety measures. **Digital screen** with all of the information about the machine and self-diagnostics. **Negative brake** that is applied automatically when the motor stops. **Slow approach pedal** for precise movements.

# TELEHANDLER

## 1600 KG

The T164H is capable of lifting a payload of up to 1,600 kg and has a maximum lift of 4 metres. Thanks to its compact dimensions, the direction of its rear wheels and its excellent manoeuvrability, it is the telescopic handler with the best turning radius of its category, including forks. Its excellent off-road capability also means that it offers a grade-ability of 35%. In short, the T164H is the telescopic handler with the best quality-price ratio on the market.

Ideal for working in small spaces, above all in the building sector and in agricultural tasks or landscaping.



# TELEHANDLER

## 2000 - 2300 KG

AUSA's range of telescopic handlers with the highest payload. They are versatile machines whose payload allows them to handle larger materials. They are equipped with 4x4x4 drive, allowing them to cope with the most difficult terrains. They have three steering modes for improved manoeuvrability and approaches: front-wheel, four-wheel and crab.

They are designed to increase the driver's safety and comfort. The side position of the arm ensures a more spacious cab, while keeping the total width of the cab small. The advanced cab position provides the operator with all-round vision.

### FEATURED EQUIPMENT

**Tilting cab** for easy access to the engine and components. **Ergonomic joystick** that controls the movements of the panel, the hydraulic functions and the transmission. **Seat belt with a buckle sensor and seat with presence sensor** to prevent the machine from being used without following the minimum safety procedures. **Digital screen** with all of the information about the machine and self-diagnostics. **Limited-slip differential** on the front axle, which transmits the necessary amount of power to each individual wheel. **Three steering modes:** front-wheel, four-wheel and "crab mode". **Slow approach pedal** for precise manoeuvring.





**T204H 2000KG**  
MAXIMUM LIFT 4,300MM  
POWER 32.8KW WIDTH 1,590MM TRANSMISSION HYDROSTATIC



**T235H 2300KG**  
MAXIMUM LIFT 4,992MM  
POWER 32.8KW WIDTH 1,590MM TRANSMISSION HYDROSTATIC



All AUSA telehandlers can be equipped with AUSAnow, the software used to remotely control machines, providing you with all real-time information.



### Control your fleet of machines

From your office or with your mobile phone. Control all of your AUSA machines in real time. With AUSAnow you can anticipate any faults and maintenance, to reduce downtime.



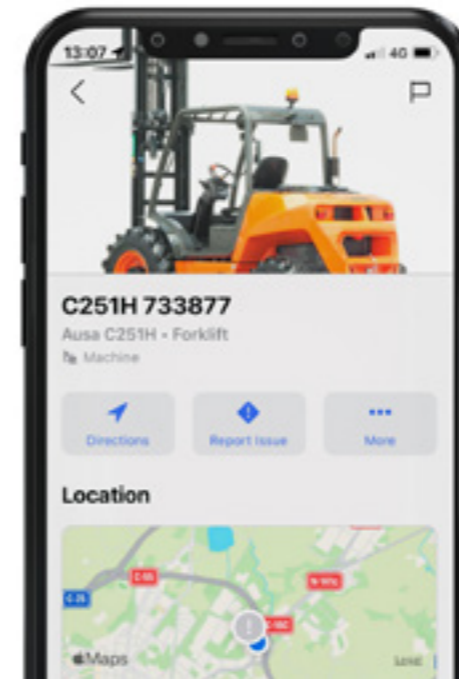
### Get information and make decisions

View or create your own personalised charts to obtain in-depth information about the operation of your machines and make decisions that are based on analytical information.



### Connect security alarms

Establish a schedule and security perimeter. If one of your machines is moved outside the established area, AUSAnow will alert you straight away so that you can deal with it.



### Data, data and more data

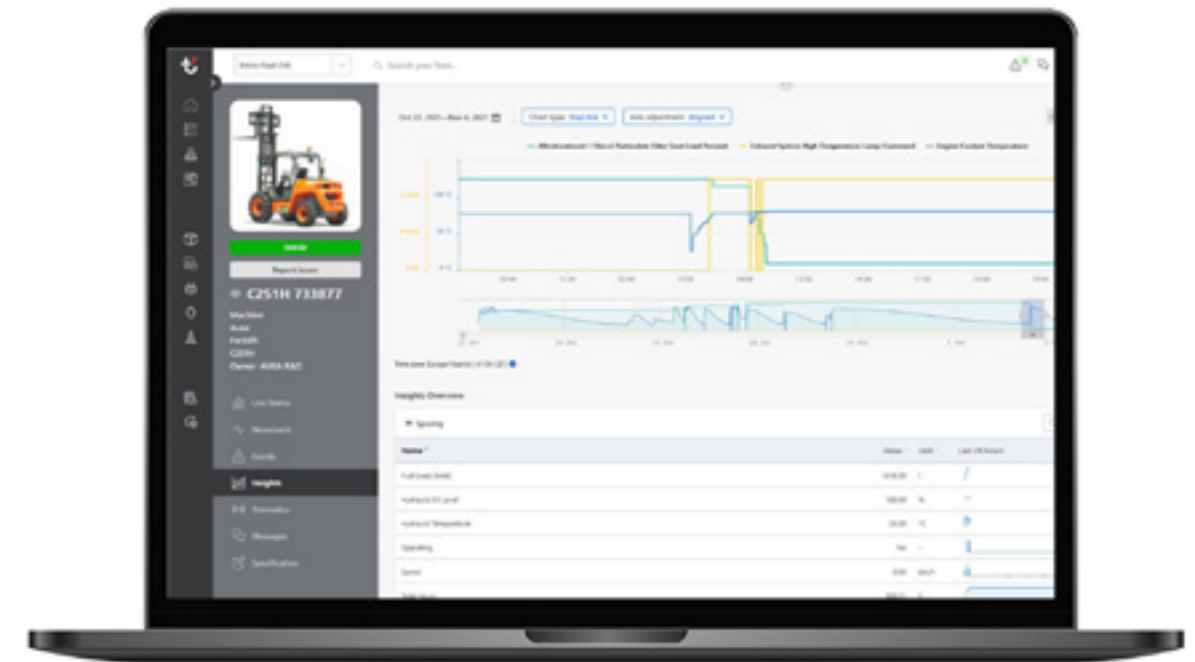
AUSAnow allows you to obtain advanced real-time information about your machine fleet. View advanced charts for customised time periods based on the parameters set by you.



### Reduce downtime

AUSAnow connects you to your dealer or rental company, so that any appropriate maintenance can be performed. If you have a problem, AUSAnow provides you with a direct channel of communication with your machine supplier, so that it can be resolved as quickly as possible.

- Preventive alerts
- Attach images



### Alarms for your peace of mind

Activate AUSA's recommended maintenance alerts and keep your machines in tip-top condition. And, for your security, you can program geofences and receive alerts if they go outside the established boundaries.

- Customise a schedule
- Set a perimeter

# TECHNICAL DATA

## TECHNICAL DATA

		T164E	T144H
<b>GENERAL</b>			
Load capacity	kg	1600	1350
Load capacity at maximum height	kg	1600	770
Maximum lift	mm	4000	4000
Maximum lift under maximum load	mm	3400	3400
Maximum reach	mm	1740	1682
Maximum load at maximum reach	kg	600	580
Unladen weight *	kg	3370	2.527
Transmission	-	Electric	Hydrostatic
<b>ENGINE</b>			
Make / Model	-	-	KUBOTA V1505-E4B
Power	kW	-	18,5
Peak/Nominal power	kW	21,2/8,6	-
Operating speed	rpm	-	2300
Peak torque	N.m	134	92,6@1700
No. of cylinders	-	-	4
Emissions	-	Zero emissions	Stage V, Tier4
Noise	dB(A)	-	101
<b>DRIVING</b>			
Maximum speed	Km/h	15	18,3
Gradeability under full load	%	32	25
External turning radius	mm	3440	2982
Traction	-	4X4 FullGrip®	4x4
Tyres	-	10/75-15.3	11.0/65-12
<b>HYDRAULIC SYSTEM</b>			
Hydraulic circuit	-	Three gears pump	Two gears pump
Flow rate	l/min	29	20,8
Working pressure	bar	210	240
<b>TANK CAPACITY</b>			
Fuel	l	-	55
Hydraulic system	l	33	32
<b>BRAKES</b>			
Service	-	Hydraulic and regenerative	Hydrostatic retention
Parking	-	Negative brake and electro-hydraulic release	Negative at the hydrobase
<b>BATTERY</b>			
Battery type	-	Lithium-Ion Battery (NCM)	-
Gross capacity	kWh	15,5	-
System voltage	V	48	-
Autonomy	-	One intense shift ***	-
<b>CHARGE</b>			
Charger	-	Integrated	-
Charging time 20-80%	-	3h 15min (@230V) **	-
Charging time 20-80% (external fast charger)	-	1h (@415V) **	-
Charging cable plug type	-	16A 110V (yellow); 16A 230V (blue); 16A 415V (red)	-

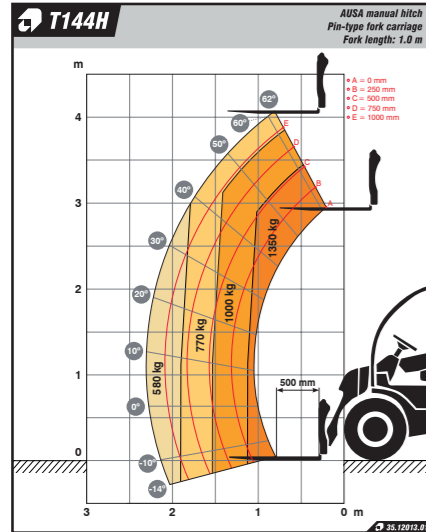
\* It may change due to optional equipment \*\* Subject to environmental conditions and to the kind and power of charging station.  
 \*\*\* Subject to environmental conditions and the kind of use. For temperatures under 0°C it is recommended to fit the Long Range pack.

	T164H	T204H	T235H
Load capacity	1600	2000	2300
Load capacity at maximum height	1600	1500	1800
Maximum lift	4000	4300	4992
Maximum lift under maximum load	3400	3750	4300
Maximum reach	1740	2262	2350
Maximum load at maximum reach	600	1.000	800
Unladen weight *	3370	4.200	4.700
Transmission	Hydrostatic		
Make / Model	KUBOTA V1505-E4B	KUBOTA D1803-CR-T-E5B	KUBOTA D1803-CR-T-E5B
Power	18,5	32,8	32,8
Peak/Nominal power	-	-	-
Operating speed	2300	2400	2400
Peak torque	92,6@1700	150,5@1500	150,5@1500
No. of cylinders	4	3	3
Emissions	Stage V, Tier4	StageV, Tier4f	StageV, Tier4f
Noise	-	102	102
Maximum speed	20	20	20
Gradeability under full load	40	42	42
External turning radius	3440	2877	2877
Traction	4X4 FullGrip®	4x4	4x4
Tyres	10/75-15.3	10/75-15.3	10/75-15.3
Hydraulic circuit	Two gears pump		
Flow rate	29	51,8 / 17,28	51,8 / 17,28
Working pressure	210	240	240
Fuel	55	65	65
Hydraulic system	33	70	70
Service	Hydrostatic retention	Hydraulic, sealed discs	Hydraulic, sealed discs
Parking	Negative brake and electro-hydraulic release	Mechanical, sealed discs	Mechanical, sealed discs
Battery type	-	-	-
Gross capacity	-	-	-
System voltage	-	-	-
Autonomy	-	-	-
Charger	-	-	-
Charging time 20-80%	-	-	-
Charging time 20-80% (external fast charger)	-	-	-
Charging cable plug type	-	-	-

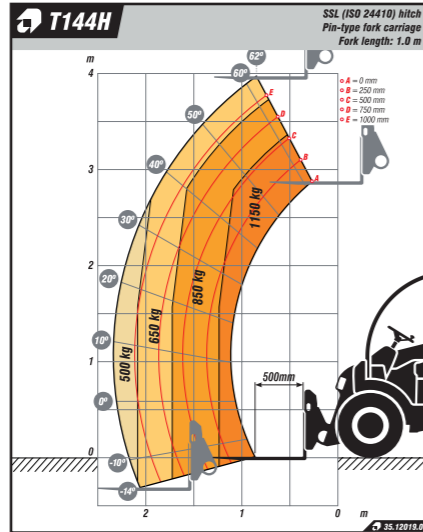
# TECHNICAL DATA

# DIMENSIONS

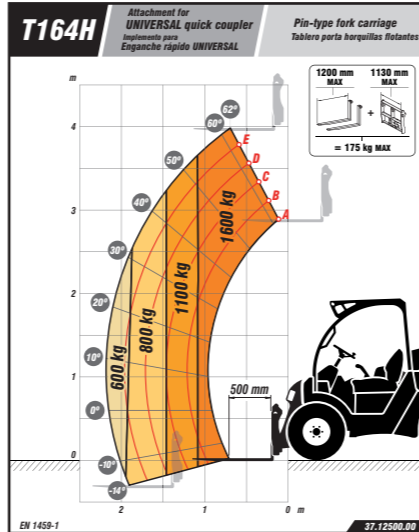
T144H AUSA carriage



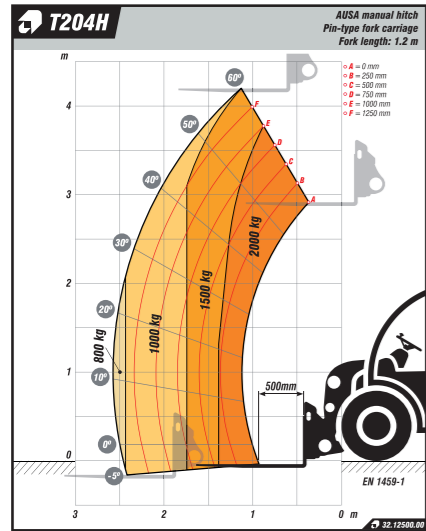
T144H Universal carriage



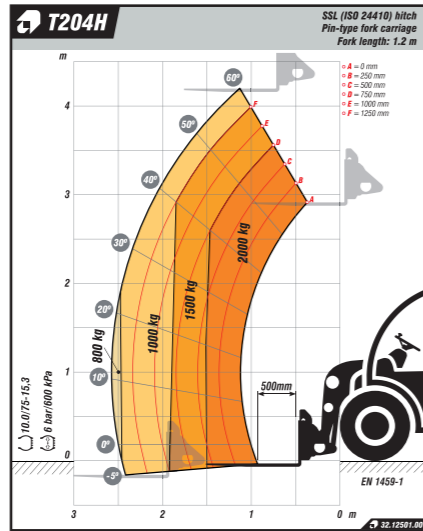
T164H Universal carriage



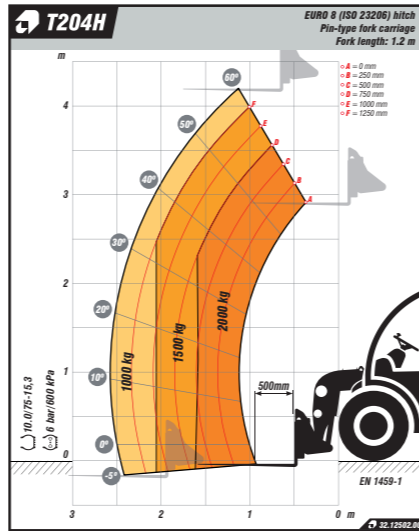
T204H AUSA carriage



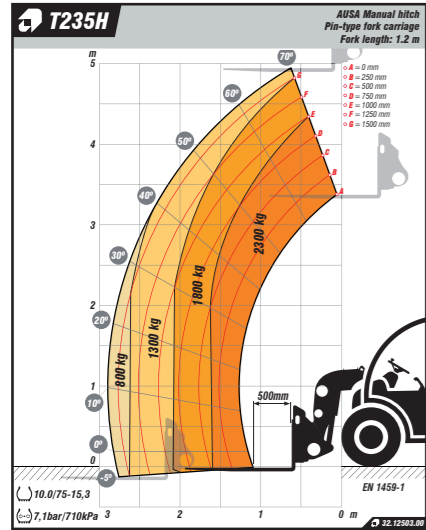
T204H Universal carriage



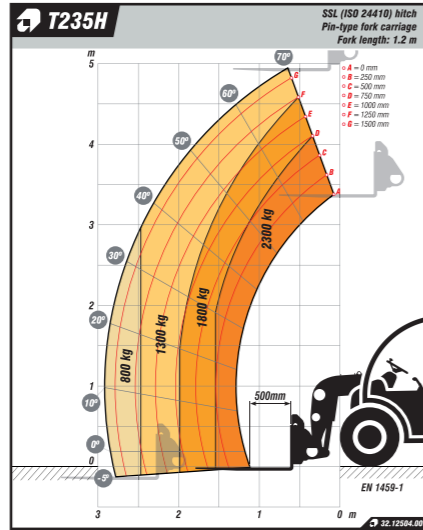
T204H Euro 8 carriage



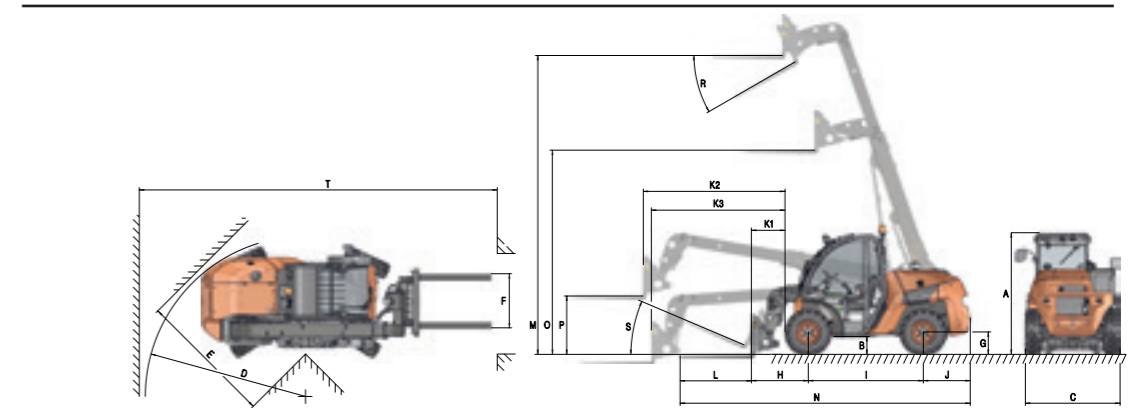
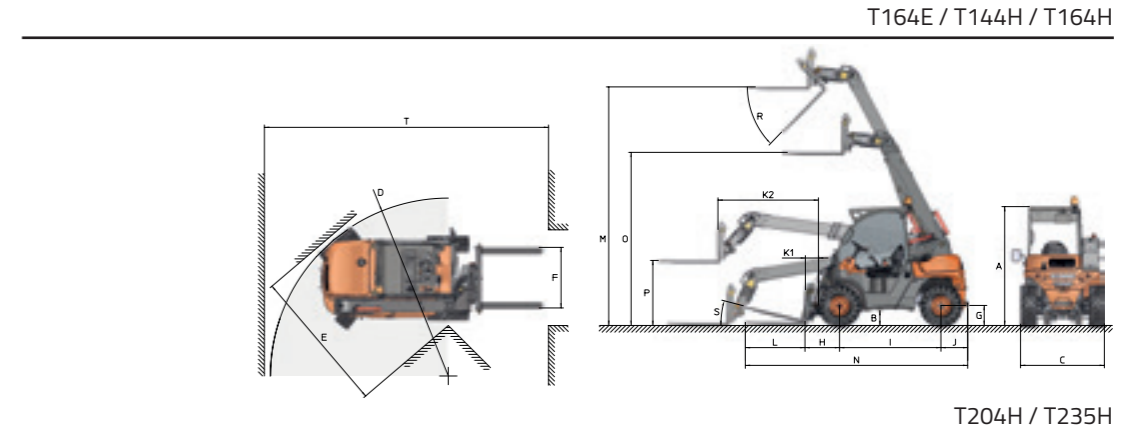
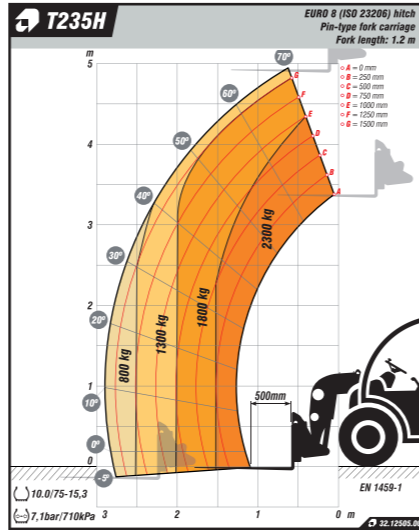
T235H AUSA carriage



T235H Universal carriage



T235H Euro 8 carriage



	T164E	T144H	T164H	T204H	T235H
<b>DIMENSIONS (mm)</b>					
A	2.030	2.000	2.030	2030	2030
B	280	252	280	300	300
C	1.480	1.405	1.480	1590	1590
D	3.400	2.982	3.400	3042	3042
E	2.560	2.481	2.560	2468	2260
F	1.015	1.015	1.015	905	905
G	365	335	365	375	375
H	675	580	675	820	960
I	1.750	1.700	1.750	1925	1925
J	655	450	655	790	790
K1	290	228	290	430	570
K2	1.740	1.682	1.740	2262	2350
K3	-	-	-	2105	2236
L	1.000	1.000	1.000	1200	1200
M	4.030	4.000	4.030	4300	4992
N	4.082	3.730	4.082	4730	4880
O	2.900	2.928	2.900	3000	3409
P	1.090	1.094	1.090	1068	932
T	5.140	4.730	5.140	5880	5880
<b>DIMENSIONS (°)</b>					
R	37	46	37	52	43
S	20	13	20	23	24

# EQUIPMENT

	T164E	T144H	T164H	T204H	T235H
<b>DRIVING POSITION</b>					
Open ROPS/FOPS cab	●	●	●		
Semi-closed ROPS/FOPS cab with front, rear and upper windscreens	○	○	○	●	●
Closed ROPS/FOPS cab with heating	○	○	○	○	○
Closed ROPS/FOPS cab with heating and air conditioning				○	○
Tilting cab with assisted lift				●	●
<b>COUPLERS</b>					
AUSA mechanical coupler		●		●	●
Universal mechanical coupler	●		●		
Universal hydraulic quick coupler	○	○	○	○	○
EURO8 hydraulic quick coupler	○	○	○	○	○
<b>SAFETY</b>					
Seat belt with fasten sensor	●	●	●	●	●
Seat with operator's presence sensor	●	●	●	●	●
Rotating beacon	●	●	●	●	●
Acoustic warning for reverse gear	●	●	●	●	●
Emergency stop	●	●	●	●	●
Hill Holder - hill-start assist	●				
Negative brake	●		●		
Load level indicator	●	●	●	●	●
Overload locking system with 60-second deactivation push-button	●	●	●	●	●
Windscreen protective grill	○	○	○	○	○
<b>LIGHTING AND DRIVING</b>					
Road lights	○	○	○	○	○
Front work lights	○	○	○	●	●
Rear work light	○	○	○	○	○
Rear-view mirror	●	●	●	●	●
Right-side panoramic rear-view mirror	○	○	○	●	●
Second rear-view mirror	○	○	○		
<b>COMFORT</b>					
Adjustable ergonomic seat with operator's presence sensor	●	●	●	●	●
All-in-one joystick	●	●	●	●	●
Inverted joystick functions	○	○	○	○	○
<b>ADVANCED EQUIPMENT</b>					
Hydrostatic transmission		●	●	●	●
Electric transmission	●				
Second generation FullGrip® (4WD)	●		●		
Limited-slip differential on the front axle				●	●
Front-wheel, four-wheel and crab steering modes				●	●
Inching pedal	●	●	●	●	●
Digital display	●			●	●
Advanced support	●				
AUSAnow fleet manager	○	○	○	○	○
Long range	○				

	T164E	T144H	T164H	T204H	T235H
<b>FORKS</b>					
1,000 mm forks	●	●	●		
1,200 mm forks	○	○	○	●	●
1,050 mm fork carriage	●	●	●	●	●
1,200 mm load rest	○	○	○	○	○
Built-in FEM II side shifter with 1,200 mm load rest	○	○	○	○	○
<b>IMPLEMENTS</b>					
Two-hand control for locking and unlocking attachments	●	●	●	●	●
350-litre shovel		○			
420-litre shovel	○		○		
600-litre shovel				○	○
700-litre shovel				○	○
400-litre 4x1 multi-function shovel				○	○
248-litre 4x1 multi-function shovel		○			
<b>ACCESSORIES</b>					
4th auxiliary hydraulic line	●	●	●	●	●
5th auxiliary hydraulic line	○	○	○	○	○
Continuous flow	○	○	○	○	○
Car radio	○	○	○	○	○
Waterproof document holder	●	●	●	○	○
Water separator diesel filter				●	●
Air filter with cyclone pre-filter	○	○	○	○	○
Biodegradable hydraulic oil	○	○	○	○	○
Towing hitch ball	○	○	○		
Power socket for the trailer	○	○	○		
Towing hitch ball with power socket				○	○
<b>TYRES</b>					
Low-profile tyres 27x10-12" TT 14PR				○	
All-terrain SSL tyres 27x10-12" - 8 PR		○			
Turf tyres 26x12.00-12" - 14PR		○			
<b>PARTS</b>					
Standard spare wheel	○	○	○	○	○
1,000 h maintenance kit	○	○	○	○	○

● Standard ○ Optional

**AUSA**  
**C/ Castelladral 1**  
**08243 Manresa - Barcelona**  
**SPAIN**  
**Tel. +34 93 874 7311**  
**ausa@ausa.com**  
**www.ausa.com**

AUSA Spain: +34 91 669 00 06 [ausa.madrid@ausa.com](mailto:ausa.madrid@ausa.com)  
AUSA France: +33 (0) 4 68 54 38 97 - [ausa.france@ausa.fr](mailto:ausa.france@ausa.fr)  
AUSA U.K.: +44 (0)7703 60 9009 - [ausa.uk@ausa.com](mailto:ausa.uk@ausa.com)  
AUSA Central Europe: +49 2384 9415725 - [kontakt@ausa.com](mailto:kontakt@ausa.com)  
AUSA U.S.: +1 (310) 426 2305 - [ausa.us@ausa.com](mailto:ausa.us@ausa.com)  
AUSA CHINA: +86 10 8598 7386 - [ausa.china@ausa.com](mailto:ausa.china@ausa.com)

MKCAT:TH.EU.EN01

Distributor's stamp



[www.ausa.com](http://www.ausa.com)