

# ARTICULATED DUMPER

From 1.000 to 10.000 kg payload. Tough, compact and efficient





**1000, 1500 kg ELECTRIC**

**4**

D101AEA | D101AEA COMPACT  
D151AEG



**1000, 1500 kg**

**8**

D101AHA | D101AHA COMPACT | D101AHG  
D151AHA | D151AHG



**2000, 3000, 3500, 4500 kg**

**12**

D201AHG  
D301AHG  
D350AHG  
D450AHG



**6000, 10000 kg**

**16**

D601AHG+ | D601APG+  
D1001APG



**6000, 10000 kg - REVERSIBLES**

**20**

DR601AHG  
DR1001AHG

**AUSAnow**

**24**

**Technical data**

**26**

**Dimensions**

**32**

**Equipment**

**34**

# ELECTRIC DUMPER

## 1000 - 1500 KG

Electric power for the whole day. AUSA's electric dumpers have been designed with an operating range to complete a busy working day without needing to be recharged.

With the charging cable built into the machine, they can be connected directly to the mains via a 110 V or 230 V socket or a 415 V socket with a fast charger.

Thanks to their minimal noise emissions, they can be used in a wider range of applications than traditional dumpers, and in works that are carried out at night.

The li-ion battery pack is controlled electronically to deliver smooth maximum power and all-terrain performance that matches diesel vehicles.



### FEATURED EQUIPMENT

**Charging cable** in the vehicle, so it can be plugged in at any time. **Folding ROPS roll bar** to make it easier to transport. **Driving position with plenty of space** for comfortable and safe driving. **Digital screen** with all of the information about the machine and self-diagnostics. **Hill holder**, which keeps the machine stationary on any slope, without putting your foot on the brake. **Easy-to-access components** to reduce downtime for maintenance. **Ergonomic joystick** that controls the skip movements and the transmission. **Seat belt with a buckle sensor and seat with presence sensor** to prevent the machine from being used without following the minimum safety procedures. **Negative brake** that is applied automatically when the motor stops. **Energy recovery system** that increases the battery range.



Charging from  
20 to 80%  
**2 h\***

Battery capacity  
**Up to 12.4 kWh**

Battery type  
**Li-Ion**

*\* Subject to environmental conditions and to the kind and power of charging station.*



**D101AEA 1000KG**  
UNLOADING SYSTEM HIGH TIP  
POWER 19.6KW WIDTH 1,083MM TRANSMISSION ELECTRIC



**D101AEA COMPACT 1000KG**  
UNLOADING SYSTEM HIGH TIP  
POWER 19.6KW WIDTH 1,000MM TRANSMISSION ELECTRIC



**D151AEG 1500KG**  
UNLOADING SYSTEM SWIVEL TIP  
POWER 19.6KW WIDTH 1,480MM TRANSMISSION ELECTRIC

# ARTICULATED DUMPER

## 1000 - 1500 KG

AUSA's most compact range of dumpers, available with two different payloads and they can be configured with a high-tipping skip or a swing skip.

These models are perfect for municipal works, landscaping projects or small demolitions, situations that require highly manoeuvrable vehicles that are extremely compact in size.

Thanks to their permanent 4WD, they can handle narrow terrain and steep slopes.



### FEATURED EQUIPMENT

**Folding ROPS** for ease of transportation. **Spacious driver's position** for comfortable and safe handling. **Rotating beacon** that makes it more visible for people outside the vehicle. **Hydrostatic transmission** to ensure smooth and safe operation for the user. **Easy-to-access components** to reduce downtime for maintenance. **Ergonomic joystick** that controls the movements of the skip and the transmission. **Seat belt with a buckle sensor and seat with presence sensor** to prevent the machine from being used without following the minimum safety procedures. **Negative brake** that is applied automatically when the motor stops.



**D101AHA 1000KG**  
UNLOADING SYSTEM HIGH TIP  
POWER 15.4KW WIDTH 1,100MM TRANSMISSION HYDROSTATIC



**D101AHA COMPACT 1000KG**  
UNLOADING SYSTEM HIGH TIP  
POWER 15.4KW WIDTH 1,000MM TRANSMISSION HYDROSTATIC



**D101AHG 1000KG**  
UNLOADING SYSTEM SWIVEL TIP  
POWER 15.4KW WIDTH 1,100MM TRANSMISSION HYDROSTATIC



**D151AHA 1500KG**  
UNLOADING SYSTEM HIGH TIP  
POWER 15.4KW WIDTH 1,480MM TRANSMISSION HYDROSTATIC



**D151AHG 1.500KG**  
UNLOADING SYSTEM SWIVEL TIP  
POWER 15.4KW WIDTH 1,480MM TRANSMISSION HYDROSTATIC



# ARTICULATED DUMPER

## 2000 - 3000 - 3500 - 4500 KG

Dumpers designed for major earthworks in urban and intercity settings or in private projects. They have a very good power-to-weight ratio, making them manoeuvrable and allowing them to easily cope with steep slopes.

All components have been designed to ensure quick and simple maintenance with minimal downtime.



### FEATURED EQUIPMENT

**Folding ROPS** for ease of transportation. **Spacious driver's position** for comfortable and safe handling. **Hydrostatic transmission** to ensure smooth and safe operation for the user. **Easy-to-access components** to reduce downtime for maintenance. **Ergonomic joystick** that controls the movements of the skip and the transmission. **Seat belt with a buckle sensor and seat with presence sensor** to prevent the machine from being used without following the minimum safety procedures. **Negative brake** which is automatically engaged when the engine is turned off.



**D201AHG 2000KG**  
UNLOADING SYSTEM SWIVEL TIP  
POWER 18.5KW WIDTH 1,500MM TRANSMISSION HYDROSTATIC



**D301AHG 3000KG**  
UNLOADING SYSTEM SWIVEL TIP  
POWER 18.5KW WIDTH 1,750MM TRANSMISSION HYDROSTATIC



**D350AHG 3500KG**  
UNLOADING SYSTEM SWIVEL TIP  
POWER 32.8KW WIDTH 1,850MM TRANSMISSION HYDROSTATIC



**D450AHG 4500KG**  
UNLOADING SYSTEM SWIVEL TIP  
POWER 32.8KW WIDTH 1,870MM TRANSMISSION HYDROSTATIC



# ARTICULATED DUMPER

## 6000 - 10000 KG

Our range of dumpers with the highest payload is designed for large-scale earthworks, especially on intercity construction sites and in open spaces. These are powerful and robust models that are equipped with the latest technology to minimise fuel consumption.

They also have a digital display in the driver's cab which provides all of the machine's real-time information, allowing you to run self-diagnostics without the need for any external tools.



### FEATURED EQUIPMENT

**Digital screen** with all of the information about the machine and self-diagnostics. **Smart Stop** (optional), which switches off the machine's engine when it is not in use, to make it more cost-effective. **Easy-to-access internal components** to reduce costs and facilitate maintenance. **The limited-slip differential** on both axles offers the best off-road drive available on the market. **Seat belt with a buckle sensor and seat with presence sensor** to prevent the machine from being used without following the minimum safety procedures. **Negative brake** which is automatically engaged when the engine is turned off. **Camera with all-round vision** on the skip.



**D601AHG+ 6000KG**  
UNLOADING SYSTEM SWIVEL TIP  
POWER 55.4KW WIDTH 2,210MM TRANSMISSION HYDROSTATIC



**D601APG+ 6000KG**  
UNLOADING SYSTEM SWIVEL TIP  
POWER 55.4KW WIDTH 2,210MM TRANSMISSION TORQUE CONVERTER



**D1001APG 10000KG**  
UNLOADING SYSTEM SWIVEL TIP  
POWER 55.4KW WIDTH 2,410MM TRANSMISSION TORQUE CONVERTER



# REVERSIBLE DUMPER

## 6000 - 10000 KG

The reversible design allows the entire driver's cab to turn 180°: seat, steering wheel, pedals, joystick...giving the operator a clear view of their surroundings at all times. This system also allows you to always use front-wheel drive, thus reducing the number of manoeuvres and increasing load-moving speed.

AUSA's reversible dumpers are equipped with the latest technology to reduce fuel consumption and improve the safety of the operator and area around them.



### FEATURED EQUIPMENT

**Access to the driving position** on both sides of the machine. **ECO Mode** to automatically regulate the RPM to ensure low consumption and reduced maintenance costs. **Digital screen** with all of the information about the machine and self-diagnostics. **Hill holder**, which keeps the machine stationary on any slope, without putting your foot on the brake. **The limited-slip differential** on both axles offers the best off-road drive available on the market. **Smart Stop**, which switches off the machine's engine when it is not in use, to make it more cost-effective. **Negative brake** which is automatically engaged when the engine is turned off. **Camera with all-round vision** on the skip.



**DR601AHG 6000KG**  
UNLOADING SYSTEM SWIVEL TIP  
POWER 55.4KW WIDTH 2,210MM TRANSMISSION HYDROSTATIC



**DR1001AHG 10000KG**  
UNLOADING SYSTEM SWIVEL TIP  
POWER 55.4KW WIDTH 2,410MM TRANSMISSION HYDROSTATIC

All AUSA dumpers can be equipped with AUSAnow, the software used to remotely control machines, providing you with all real-time information.



### Control your fleet of machines

From your office or with your mobile phone. Control all of your AUSA machines in real time. With AUSAnow you can anticipate any faults and maintenance, to reduce downtime.



### Get information and make decisions

View or create your own personalised charts to obtain in-depth information about the operation of your machines and make decisions that are based on analytical information.



### Connect security alarms

Establish a schedule and security perimeter. If one of your machines is moved outside the established area, AUSAnow will alert you straight away so that you can deal with it.



### Data, data and more data

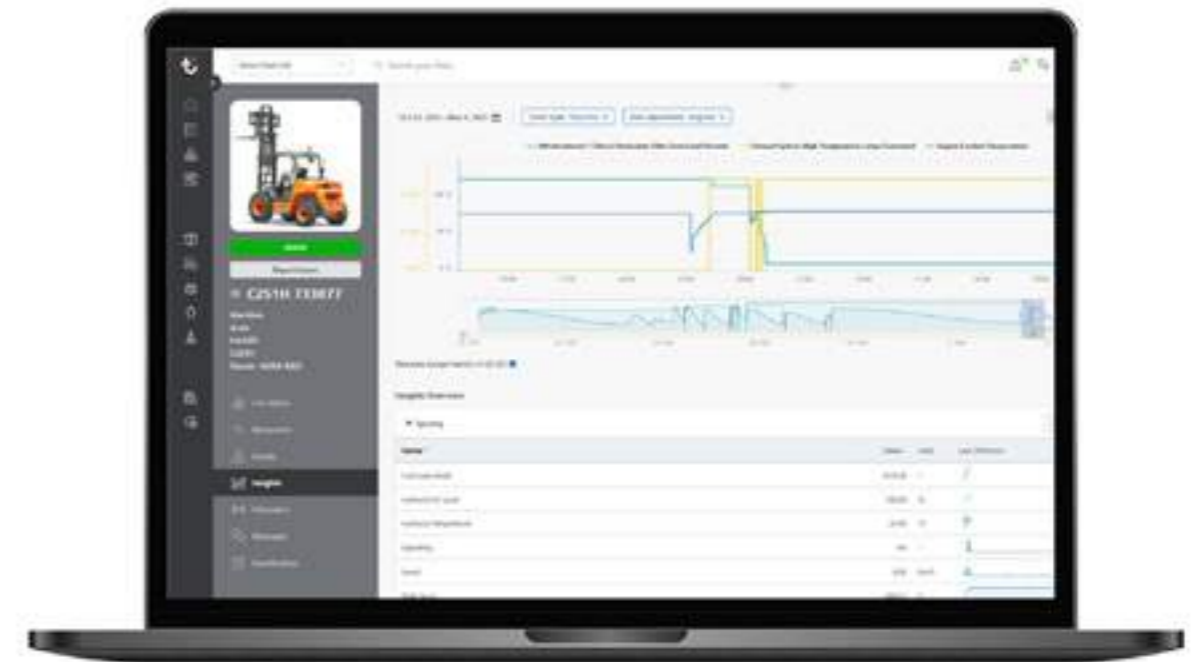
AUSAnow allows you to obtain advanced real-time information about your machine fleet. View advanced charts for customised time periods based on the parameters set by you.



### Reduce downtime

AUSAnow connects you to your dealer or rental company, so that any appropriate maintenance can be performed. If you have a problem, AUSAnow provides you with a direct channel of communication with your machine supplier, so that it can be resolved as quickly as possible.

- Preventive alerts
- Attach images



### Alarms for your peace of mind

Activate AUSA's recommended maintenance alerts and keep your machines in tip-top condition. And, for your security, you can program geofences and receive alerts if they go outside the established boundaries.

- Customise a schedule
- Set a perimeter

# TECHNICAL DATA

## TECHNICAL DATA

	D101AEA / COMPACT	D151AEG
<b>GENERAL</b>		
Unloading system	High tip	Swivel tip
Load capacity	1000	1500
Chassis	Articulated	
Water skip capacity	345	520
Level skip capacity	395	626
Heaped skip capacity	565	900
Empty weight *	1430	1530
Transmission	Electric	
Reversibility	No	
<b>ENGINE</b>		
Brand / Model	-	
Power	-	
Peak/Nominal power	19,6 / 7,6	
Operating speed	-	
Peak torque	130	
No. of cylinders	-	
Emissions	Zero emissions	
Noise level	92	
<b>DRIVING</b>		
Max. speed	14	
Maximum gradient	35	
External turning radius	3080	3390
Traction	4x4	
Tyres	27x8.50-15 / 6.5/80-12	10.0/75-15.3
<b>HYDRAULIC SYSTEM</b>		
Hydraulic circuit	12cc. Gear pump	
Flow rate	22,8	
Working pressure	180	
<b>TANK CAPACITY</b>		
Fuel	-	
Hydraulic system	24,5	
<b>BRAKES</b>		
Service	Sealed. Hydraulic drive	
Parking	Negative brake and electro-hydraulic release	
<b>BATTERY</b>		
Battery type	Lithium-Ion Battery (NCM)	
Gross capacity	9,3	
System voltage	51,2	
Autonomy ***	One intense shift	
<b>CHARGE</b>		
Charger	Integrated	
Charging time 20-80% **	2h (@230V)	
Charging time 20-80% (external fast charger) **	1h (@400V)	
Charging cable plug type	16A 110V (yellow); 16A 230V (blue); 16A 400V (red)	

\* It may change due to optional equipment \*\* Subject to environmental conditions and to the kind and power of charging station.  
 \*\*\* Subject to environmental conditions and the kind of use. For temperatures under 0°C it is recommended to fit the "Additional battery for longer range (+3.1 kWh)".

	D101AHA / COMPACT	D101AHG	D151AHA	D151AHG
<b>GENERAL</b>				
Unloading system	High tip	Swivel tip	High tip	Swivel tip
Load capacity	1000	1000	1500	1500
Chassis	Articulated			
Water skip capacity	345	325	605	520
Level skip capacity	395	390	681	626
Heaped skip capacity	565	545	841	900
Empty weight *	1465	-	1550	1545
Transmission	Hydrostatic			
Reversibility	No			
<b>ENGINE</b>				
Brand / Model	KUBOTA D1105-E4B			
Power	15,4			
Peak/Nominal power	-			
Operating speed	2400			
Peak torque	70,3@1600			
No. of cylinders	3			
Emissions	Stage V, Tier 4			
Noise level	-			
<b>DRIVING</b>				
Max. speed	14	14	16	14
Maximum gradient	-	-	40	40
External turning radius	3000	3000	3200	3260
Traction	4x4	4x4	4x4	4x4
Tyres	27x8.5-15 // 6.5/80-12	27x8.5-15	255/75-15.3	255/75-15.3
<b>HYDRAULIC SYSTEM</b>				
Hydraulic circuit	8cc. Gear pump			
Flow rate	21	21	21	21
Working pressure	150	150	180	180
<b>TANK CAPACITY</b>				
Fuel	37,5	37,5	37,5	37,5
Hydraulic system	24,5	24,5	24,5	24,5
<b>BRAKES</b>				
Service	Hydrostatic, retention			
Parking	Negative brake and electro-hydraulic release			
<b>BATTERY</b>				
Battery type	-			
Gross capacity	-			
System voltage	-			
Autonomy ***	-			
<b>CHARGE</b>				
Charger	-			
Charging time 20-80% **	-			
Charging time 20-80% (external fast charger) **	-			
Charging cable plug type	-			

# TECHNICAL DATA

## TECHNICAL DATA

		D201AHG	D301AHG
<b>GENERAL</b>			
	<b>UNIT</b>		
Unloading system	-	Swivel tip	
Load capacity	kg	2000	3000
Chassis	-	Articulated	
Water skip capacity	l	695	984
Level skip capacity	l	1084	1320
Heaped skip capacity	l	1337	1742
Empty weight	kg	2083	2300
Transmission	-	Hydrostatic	
Reversibility	-	No	
<b>ENGINE</b>			
Brand / Model	-	KUBOTA V1505-E4B	
Power	kW	18,5	
Operating speed	rpm	2300	
Torque	N-m	92,6@1700	
No. of cylinders	-	4	
Emissions	-	Stage V, Tier 4	
Injection	-	Mechanical pump	
Exhaust aftertreatment	-	-	
Noise level	dB(A)	101	
<b>DRIVING</b>			
Max. speed	km/h	17	17
Maximum gradient	%	50	50
External turning radius	mm	3955	3955
Traction	-	4x4	4x4
Tyres	-	10.0/75-15,3"	11.5/80-15.3
<b>HYDRAULIC SYSTEM</b>			
Hydraulic circuit	-	12cc. Gear pump	
Flow rate	l/min	25	25
Working pressure	bar	175	175
<b>TANK CAPACITY</b>			
Fuel	l	37,5	37,5
Hydraulic system	l	37,4	37,4
<b>BRAKES</b>			
Service	-	Hydrostatic, retention	Sealed. Hydraulic drive
Parking	-	Negative, integrated in the transfer box	Negative brake and electro-hydraulic release

		D350AHG	D450AHG
<b>GENERAL</b>			
	<b>UNIT</b>		
Unloading system	-	Swivel tip	
Load capacity	kg	3500	4500
Chassis	-	Articulated	
Water skip capacity	l	1020	1370
Level skip capacity	l	1790	2055
Heaped skip capacity	l	2130	2670
Empty weight	kg	2831	2970
Transmission	-	Hydrostatic	
Reversibility	-	No	
<b>ENGINE</b>			
Brand / Model	-	KUBOTA D1803-CR-T-E5B	
Power	kW	32,8	
Operating speed	rpm	2400	
Torque	N-m	150,5@1500	
No. of cylinders	-	3	
Emissions	-	Stage V, Tier 4f	
Injection	-	Common Rail and electronic management	
Exhaust aftertreatment	-	DPF (Diesel particulate filter)	
Noise level	dB(A)	101	
<b>DRIVING</b>			
Max. speed	km/h	19	22
Maximum gradient	%	54	35
External turning radius	mm	4515	4830
Traction	-	4x4	4x4
Tyres	-	11.5/80-15.3	12.0/75-18
<b>HYDRAULIC SYSTEM</b>			
Hydraulic circuit	-	12cc. Gear pump	
Flow rate	l/min	26,6	26,6
Working pressure	bar	170	200
<b>TANK CAPACITY</b>			
Fuel	l	44	44
Hydraulic system	l	40	40
<b>BRAKES</b>			
Service	-	Sealed. Hydraulic drive	
Parking	-	Negative brake and electro-hydraulic release	

# TECHNICAL DATA

## TECHNICAL DATA

		D601AHG+	D601APG+
<b>GENERAL</b>			
	<b>UNIT</b>		
Unloading system	-	Swivel tip	
Load capacity	kg	6000	6000
Chassis	-	Articulated	
Water skip capacity	l	1665	1665
Level skip capacity	l	2455	2455
Heaped skip capacity	l	3154	3154
Empty weight	kg	4285	4345
Transmission	-	Hydrostatic	Torque converter
Reversibility	-	No	
<b>ENGINE</b>			
Brand / Model	-	DEUTZ TD3.6 L4	
Power	kW	55,4	
Operating speed	rpm	2200	
Torque	N·m	340@1500	
No. of cylinders	-	4	
Emissions	-	Stage V	
Injection	-	Common Rail	
Exhaust aftertreatment	-	DPF (Diesel particulate filter)	
Noise level	dB(A)	101	
<b>DRIVING</b>			
Max. speed	km/h	25	25
Maximum gradient	%	45	45
External turning radius	mm	5900	5900
Traction	-	4x4	4x4
Tyres	-	405/70-20	405/70-20
<b>HYDRAULIC SYSTEM</b>			
Hydraulic circuit	-	Gear pump	
Flow rate	l/min	50	46
Working pressure	bar	180	180
<b>TANK CAPACITY</b>			
Fuel	l	69	69
Hydraulic system	l	60	30
<b>BRAKES</b>			
Service	-	Sealed. Hydraulic drive	
Parking	-	Negative brake and electro-hydraulic release	

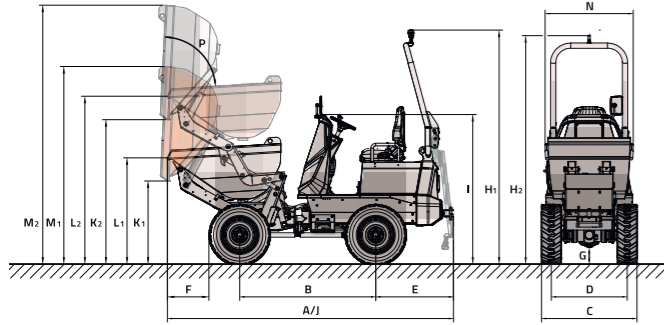
	D1001APG	DR601AHG	DR1001AHG
<b>GENERAL</b>			
Unloading system		Swivel tip	
Load capacity	10000	6000	10000
Chassis		Articulated	
Water skip capacity	1850	1665	1850
Level skip capacity	3300	2455	3300
Heaped skip capacity	3900	3154	3900
Empty weight	5185	4830	5050
Transmission	Torque converter	Hydrostatic	
Reversibility	No	Yes	
<b>ENGINE</b>			
Brand / Model	DEUTZ TCD3.6 L4 HT	DEUTZ TD3.6 L4	DEUTZ TCD3.6 L4 HT
Power	55,4	55,4	55,4
Operating speed	2200	2200	2200
Torque	405@1300	340@1500	405@1300
No. of cylinders	4	4	4
Emissions	Stage V	Stage V	Stage V
Injection	Common Rail	Common Rail and electronic management	Common Rail and electronic management
Exhaust aftertreatment	DPF (Diesel particulate filter)	DPF (Diesel particulate filter)	DPF (Diesel particulate filter)
Noise level	101	101	101
<b>DRIVING</b>			
Max. speed	25	25	22
Maximum gradient	45	45	45
External turning radius	6287	5900	6287
Traction	4x4	4x4	4x4
Tyres	500/60-22.5	405/70-20	500/60-22.5
<b>HYDRAULIC SYSTEM</b>			
Hydraulic circuit		Gear pump	
Flow rate	46	50	50
Working pressure	180	180	180
<b>TANK CAPACITY</b>			
Fuel	69	69	69
Hydraulic system	60	60	60
<b>BRAKES</b>			
Service		Sealed. Hydraulic drive	
Parking		Negative brake and electro-hydraulic release	



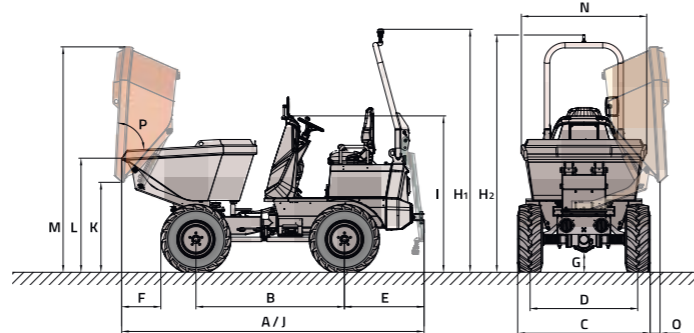
# DIMENSIONS

## DIMENSIONS

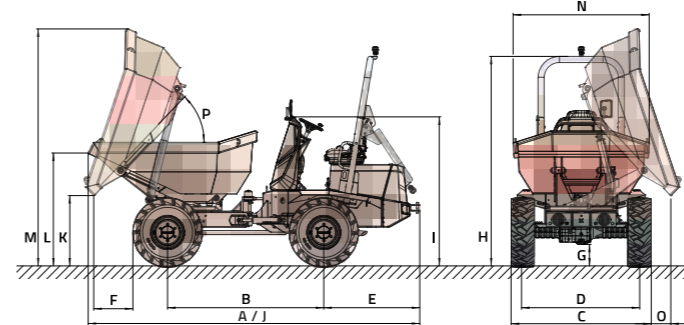
D101AEA



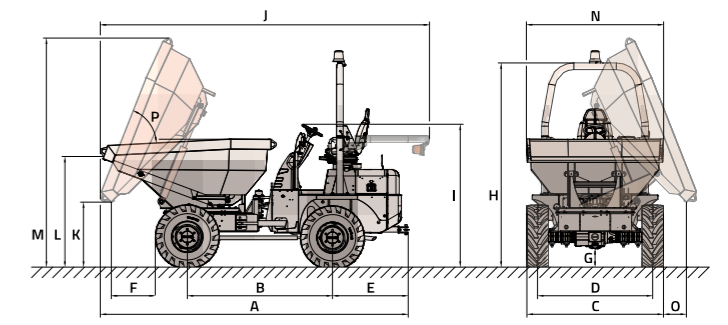
D151AEG



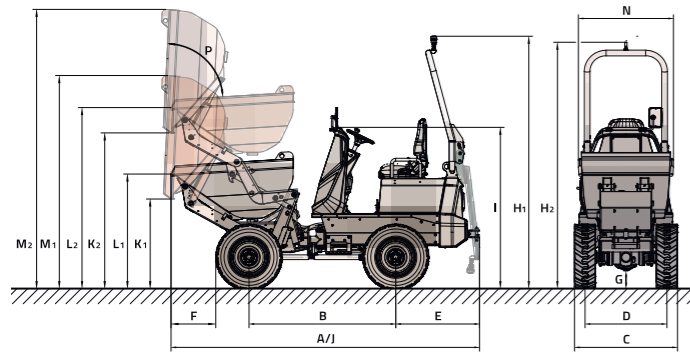
D201AHG / D301AHG



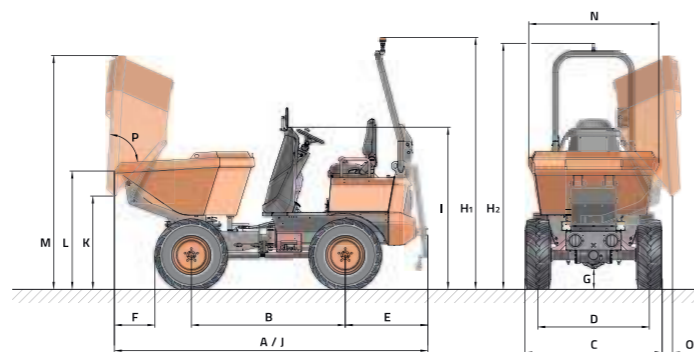
D350AHG / D450AHG



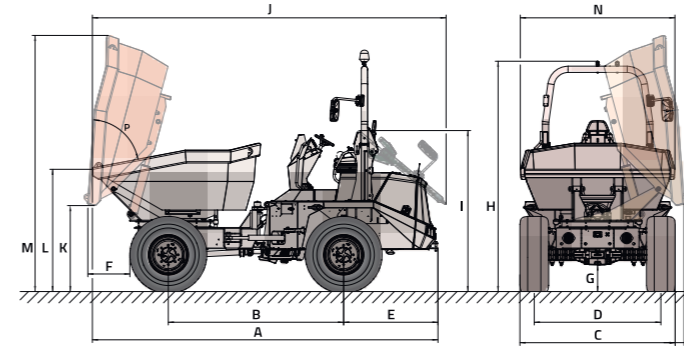
D101AHA / D151AHA



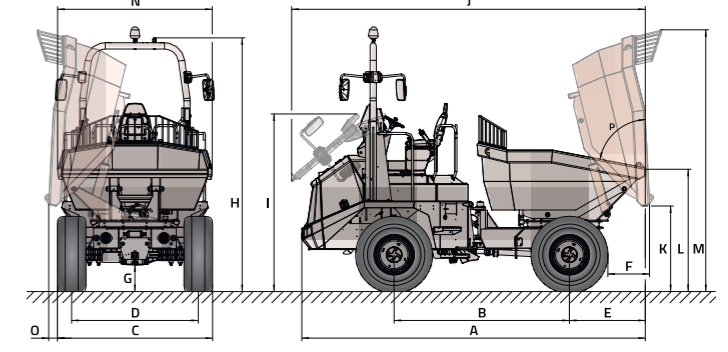
D101AHG / D151AHG



D601AHG+ / D601APG+ / D1001APG



DR601AHG / DR1001AHG



	D101AEA	D101AEA COMPACT		D151AEG	D101AHA	D101AHA COMPACT		D101AHG	D151AHA	D151AHG
<b>DIMENSIONS (mm)</b>										
A	3260	3260	3260	3360	3260	3260	3260	3360	3260	3360
B	1550	1550	1550	1650	1500	1500	1500	1500	1500	1600
C	1090	990	990	1480	1090	990	1090	1090	1480	1480
D	865	815	815	1195	865	815	865	865	1195	1195
E	885	885	885	885	935	935	935	935	935	935
F	500	530	530	460	500	530	600	460	460	460
G	185	145	145	220	185	145	185	220	220	220
H	2680	2620	2640	2580	2720	2660	2680	2620	2720	2660
I	1720	1680	1680	1760	1720	1680	1720	1720	1760	1760
J	3260	3260	3260	3360	3260	3260	3360	3260	3260	3360
K	940	1640	890	1590	980	940	1640	890	1590	960
L	1210	1910	1160	1860	1260	1210	1910	1160	1860	1230
M	2260	2960	2230	2930	2520	2260	2960	2230	2930	2380
N	1000	1000	1000	1400	1000	1000	1000	1000	1400	1400
O	-	-	-	125	-	-	-	315	-	125
<b>DIMENSIONS (°)</b>										
P	83	83	83	83	83	83	83	83	83	83

	D201AHG	D301AHG	D350AHG	D450AHG	D601AHG+	D601APG+	D1001APG	DR601AHG	DR1001AHG
A	3995	4140	4170	4380	4940	4940	5020	4910	5020
B	1880	1950	1960	1960	2490	2490	2690	2490	2690
C	1500	1750	1840	1860	2210	2210	2410	2210	2410
D	1235	1460	1555	1555	1800	1800	1920	1800	1920
E	1200	1200	1025	1025	1340	1340	1340	1080	990
F	480	490	600	775	580	580	485	580	485
G	240	260	260	310	380	380	410	380	410
H	2560	2605	2770	2820	3280 (3110*)	3280 (3110*)	3640 (3380*)	3610 (3350*)	3640 (3380*)
I	1805	1850	1940	2100	2290	2290	2560	2530	2560
J	3995	4140	4450	4660	5030	5030	5140	5030	5140
K	935	865	870	735	1220	1220	1260	1220	1260
L	1305	1420	1490	1640	1740	1740	1820	1740	1820
M	2910	2950	3090	3190	3640	3640	3830	3720	3940
N	1480	1700	1850	1870	2200	2200	2330	2200	2330
O	260	250	310	520	110	110	155	110	155
P	49	46,5	65	65	75	75	75	75	75

\* With closed cab.

# EQUIPMENT

	D101AEA	D151AEG	D101AHA/AHG	D151AHA/AHG	D201AHG	D301AHG	D350AHG	D450AHG	D601AHG+	D601APG+	D1001APG	DR 601AHG	DR1001AHG
<b>DRIVING POSITION</b>													
Rear folding ROPS protective structure	●	●	●	●	●	●	●	●	●	●	●	●	●
Open ROPS/FOPS cab									○	○			
Closed ROPS/FOPS cab with heating									○	○	○	○	○
Closed ROPS/FOPS cab with heating and air conditioning									○	○	○	○	○
<b>SAFETY</b>													
Seat belt with fasten sensor	●	●	●	●	●	●	●	●	●	●	●	●	●
Seat with operator's presence sensor	●	●	●	●	●	●	●	●	●	●	●	●	●
Rotating beacon							●	●					
LED rotating beacon	●	●	●	●	●	●			●	●	●	●	●
LED green rotating beacon	○	○	○	○	○	○			○	○	○	○	○
Acoustic warning for reverse gear			●	●	●	●	●	●	●	●	●	●	●
White noise acoustic warning for reverse gear	●	●	○	○	○	○	○	○	○	○	○	○	○
Emergency stop	●	●	●	●	○	○			●	●	●	●	●
Anti-vandal security system	●	●	●	●	●	●	●	●	●	●	●	●	●
Hill Holder - hill-start assist	●	●							●			●	●
Negative brake	●	●	●	●	●	●	●	●	●	●	●	●	●
Full visibility camera on the skip side									●	●	●	●	●
Full visibility camera on the counterweight side and proximity sensors									○	○	○	○	○
Full visibility cameras on the skip and counterweight sides and proximity sensors					○	○	○	○					
Protective grille on the skip											○	●	●
Protective grid for open ROPS/FOPS cab									○				
<b>LIGHTING AND DRIVING</b>													
Road lights	○	○	○	○	○	○	○	○	○	○	○	○	○
Front LED working lights	○	○	○	○	○	○							
Rear-view mirror	●	●	●	●	●	●	●	●	●	●	●	●	●
Second rear-view mirror	○	○	○	○	○	○			○	○	○	●	●
Third rear-view mirror									○	○	○	○	○
<b>COMFORT</b>													
Adjustable ergonomic seat	●	●	●	●	●	●	●	●	●	●	●	●	●
All-in-one joystick	●	●	●	●	●	●	●	●	●	●	●	●	●

	D101AEA	D151AEG	D101AHA/AHG	D151AHA/AHG	D201AHG	D301AHG	D350AHG	D450AHG	D601AHG+	D601APG+	D1001APG	DR 601AHG	DR1001AHG
<b>ADVANCED EQUIPMENT</b>													
Electric transmission	●	●											
Hydrostatic transmission			●	●	●	●	●	●					
Hydrostatic transmission with electronic control									●			●	●
Limited-slip differential on both axles									●	●	●	●	●
ECO Mode system									●			●	●
Smart Stop system									○	○	○	○	○
Digital display	●	●							●	●	●	●	●
Advanced support	●	●											
AUSAnow fleet manager	○	○	○	○	○	○	○	○	○	○	○	○	○
Additional battery for longer range (+3.1 kWh)	○	○											
Warranty extension	○	○	○	○	○	○	○	○	○	○	○	○	○
<b>ACCESSORIES</b>													
Metal engine cover	●	●	●	●	●	●							
Front mudguards		○			○	○	○	○	○	○	○	●	●
Reverse gear acoustic warning disable switch			○	○	○	○	○	○	○	○	○	○	○
Battery master switch	●	●	●	●	●	●	●	●	●	●	●	●	●
Car radio									○	○	○	○	○
Waterproof document holder	○	○	○	○	○	○	○	○	○	○	○	○	○
Water separator diesel filter			○	○	○	○	●	●					
Air filter with cyclone pre-filter			○	○	○	○	○	○					
Biodegradable hydraulic oil	○	○	○	○	○	○	○	○				○	
Rockinger hitch							○	○					
Rockinger hitch with power socket									○	○	○	○	○
Towing ball and pintle hitch	○	○			○	○	○	○	○	○			
Towing ball and pintle hitch with power socket			○	○									
Power socket for the trailer	○	○	○	○	○	○	○	○	○	○	○	○	○
<b>TYRES</b>													
Narrow tyres 10.0/75-15.3"						○							
Turf tyres 400/60 -15.5"						○	○	○					
Turf tyres 400/70-20"									○	○		○	
<b>PARTS</b>													
1,000 h maintenance kit	○	○	○	○	○	○	○	○	○	○	○	○	○
Spare wheel	○	○	○	○	○	○	○	○	○	○	○	○	○

● Standard ○ Optional

**AUSA**  
**C/ Castelladral 1**  
**08243 Manresa - Barcelona**  
**SPAIN**  
**Tel. +34 93 874 7311**  
**ausa@ausa.com**  
**www.ausa.com**

AUSA Spain: +34 91 669 00 06 [ausa.madrid@ausa.com](mailto:ausa.madrid@ausa.com)  
AUSA France: +33 (0) 4 68 54 38 97 - [ausa.france@ausa.com](mailto:ausa.france@ausa.com)  
AUSA U.K.: +44 (0)7703 60 9009 - [ausa.uk@ausa.com](mailto:ausa.uk@ausa.com)  
AUSA Central Europe: +49 2384 9415725 - [kontakt@ausa.com](mailto:kontakt@ausa.com)  
AUSA U.S.: +1 (843) 202 0387 - [ausa.us@ausa.com](mailto:ausa.us@ausa.com)  
AUSA CHINA: +86 10 8598 7386 - [ausa.china@ausa.com](mailto:ausa.china@ausa.com)

MKCAT.AD.EU.EN02

Distributor's stamp



[www.ausa.com](http://www.ausa.com)