

# ARTICULATED DUMPER

From 1.000 to 10.000 kg payload. Tough, compact and efficient





**1500 kg ELECTRIC**

**4**

D151AEG



**1000, 1200, 1500 kg**

**8**

D100AHA | D100AHG

D120AHA | D120AHG

D150AHA | D150AHG



**2000, 3000, 3500, 4500 kg**

**12**

D201AHG

D301AHG

D350AHG

D450AHG



**6000, 10000 kg**

**16**

D601AHG | D601APG

D1001APG



**6000, 10000 kg - REVERSIBLES**

**20**

DR601AHG

DR1001AHG

**AUSAnow**

**24**

**Technical data**

**26**

**Dimensions**

**32**

**Equipment**

**34**

# ELECTRIC DUMPER

## 1500 KG

Electric power for the whole day. The D151AEG dumper was designed to offer capacity for a full working day without needing to be recharged.

And whenever necessary, it can be connected directly to the mains via a single-phase or three-phase socket. It also features a fast charger.

Thanks to its minimal noise emissions, it can be used in more applications than a traditional dumper, as well as in works to be carried out at night.

Also, the permanent 4WD gives it a lot of power, so it can tackle the most difficult terrain.



### FEATURED EQUIPMENT

**Charging cable** in the vehicle, so it can be plugged in at any time. **Folding ROPS roll bar** to make it easier to transport. **Driving position with plenty of space** for comfortable and safe driving. **Digital screen** with all of the information about the machine and self-diagnostics. **Hill holder**, which keeps the machine stationary on any slope, without putting your foot on the brake. **Easy-to-access components** to reduce downtime for maintenance. **Ergonomic joystick** that controls the skip movements and the transmission. **Seat belt with a buckle sensor and seat with presence sensor** to prevent the machine from being used without following the minimum safety procedures. **Negative brake** that is applied automatically when the motor stops. **Energy recovery system** that increases the battery range.



Battery capacity  
**Up to 12.4 kWh**

Charging from  
20 to 80%  
**2 h\***

Battery type  
**Li-Ion**



**D151AEG 1500KG**  
UNLOADING SYSTEM ROTATING  
POWER 17.3KW WIDTH 1,480MM TRANSMISSION ELECTRIC

# ARTICULATED DUMPER

## 1000 - 1200 - 1500 KG

AUSA's most compact range of dumpers, available with three different payloads and they can be configured with a high-tipping skip or a swing skip.

These models are perfect for municipal works, landscaping projects or small demolitions, situations that require highly manoeuvrable vehicles that are extremely compact in size.

Thanks to their permanent 4WD, they can handle narrow terrain and steep slopes.



### FEATURED EQUIPMENT

**Folding ROPS** for ease of transportation. **Spacious driver's position** for comfortable and safe handling. **Rotating beacon** that makes it more visible for people outside the vehicle. **Hydrostatic transmission** to ensure smooth and safe operation for the user. **Easy-to-access components** to reduce downtime for maintenance. **Ergonomic joystick** that controls the movements of the skip and the transmission. **Axles with final epicyclic gearing** that provides improved traction.



**D100AHA 1000KG**  
 UNLOADING SYSTEM HIGH  
 POWER 15.6KW WIDTH 1,100MM TRANSMISSION HYDROSTATIC



**D100AHA COMPACT 1000KG**  
 UNLOADING SYSTEM HIGH  
 POWER 15.6KW WIDTH 1,000MM TRANSMISSION HYDROSTATIC



**D100AHG 1000KG**  
 UNLOADING SYSTEM ROTATING  
 POWER 15.6KW WIDTH 1,100MM TRANSMISSION HYDROSTATIC



**D120AHA 1200KG**  
 UNLOADING SYSTEM HIGH  
 POWER 15.6KW WIDTH 1,210MM TRANSMISSION HYDROSTATIC



**D120AHG 1200KG**  
 UNLOADING SYSTEM ROTATING  
 POWER 15.6KW WIDTH 1,210MM TRANSMISSION HYDROSTATIC



**D150AHA 1500KG**  
 UNLOADING SYSTEM HIGH  
 POWER 15.6KW WIDTH 1,480MM TRANSMISSION HYDROSTATIC



**D150AHG 1.500KG**  
 UNLOADING SYSTEM ROTATING  
 POWER 15.6KW WIDTH 1,480MM TRANSMISSION HYDROSTATIC



# ARTICULATED DUMPER

## 2000 - 3000 - 3500 - 4500 KG

Dumpers designed for major earthworks in urban and intercity settings or in private projects. They have a very good power-to-weight ratio, making them manoeuvrable and allowing them to easily cope with steep slopes.

All components have been designed to ensure quick and simple maintenance with minimal downtime.



### FEATURED EQUIPMENT

**Folding ROPS** for ease of transportation. **Spacious driver's position** for comfortable and safe handling. **Hydrostatic transmission** to ensure smooth and safe operation for the user. **Easy-to-access components** to reduce downtime for maintenance. **Ergonomic joystick** that controls the movements of the skip and the transmission. **Seat belt with a buckle sensor and seat with presence sensor** to prevent the machine from being used without following the minimum safety procedures. **Negative brake** which is automatically engaged when the engine is turned off.



**D201AHG 2000KG**  
**UNLOADING SYSTEM ROTATING**  
**POWER 18.5KW WIDTH 1,500MM TRANSMISSION HYDROSTATIC**



**D301AHG 3000KG**  
**UNLOADING SYSTEM ROTATING**  
**POWER 18.5KW WIDTH 1,750MM TRANSMISSION HYDROSTATIC**



**D350AHG 3500KG**  
**UNLOADING SYSTEM ROTATING**  
**POWER 36.5/32.8KW WIDTH 1,850MM TRANSMISSION HYDROSTATIC**



**D450AHG 4500KG**  
**UNLOADING SYSTEM ROTATING**  
**POWER 32.8KW WIDTH 1,870MM TRANSMISSION HYDROSTATIC**



# ARTICULATED DUMPER

## 6000 - 10000 KG

Our range of dumpers with the highest payload is designed for large-scale earthworks, especially on intercity construction sites and in open spaces. These are powerful and robust models that are equipped with the latest technology to minimise fuel consumption.

They also have a digital display in the driver's cab which provides all of the machine's real-time information, allowing you to run self-diagnostics without the need for any external tools.



### FEATURED EQUIPMENT

**Digital screen** with all of the information about the machine and self-diagnostics. **Smart Stop** (optional), which switches off the machine's engine when it is not in use, to make it more cost-effective. **Easy-to-access internal components** to reduce costs and facilitate maintenance. **The limited-slip differential** on both axles offers the best off-road drive available on the market. **Seat belt with a buckle sensor and seat with presence sensor** to prevent the machine from being used without following the minimum safety procedures. **Negative brake** which is automatically engaged when the engine is turned off. **Camera with all-round vision** on the skip.



**D601AHG 6000KG**  
UNLOADING SYSTEM ROTATING  
POWER 55.4KW WIDTH 2,210MM TRANSMISSION HYDROSTATIC



**D601APG 6000KG**  
UNLOADING SYSTEM ROTATING  
POWER 55.4KW WIDTH 2,210MM TRANSMISSION TORQUE CONVERTER



**D1001APG 10000KG**  
UNLOADING SYSTEM ROTATING  
POWER 55.4KW WIDTH 2,410MM TRANSMISSION TORQUE CONVERTER



# REVERSIBLE DUMPER

## 6000 - 10000 KG

The reversible design allows the entire driver's cab to turn 180°: seat, steering wheel, pedals, joystick...giving the operator a clear view of their surroundings at all times. This system also allows you to always use front-wheel drive, thus reducing the number of manoeuvres and increasing load-moving speed.

AUSA's reversible dumpers are equipped with the latest technology to reduce fuel consumption and improve the safety of the operator and area around them.



### FEATURED EQUIPMENT

**Access to the driving position** on both sides of the machine. **ECO Mode** to automatically regulate the RPM to ensure low consumption and reduced maintenance costs. **Digital screen** with all of the information about the machine and self-diagnostics. **Hill holder**, which keeps the machine stationary on any slope, without putting your foot on the brake. **The limited-slip differential** on both axles offers the best off-road drive available on the market. **Smart Stop**, which switches off the machine's engine when it is not in use, to make it more cost-effective. **Negative brake** which is automatically engaged when the engine is turned off. **Camera with all-round vision** on the skip.



**DR601AHG 6000KG**  
UNLOADING SYSTEM ROTATING  
POWER 55.4KW WIDTH 2,210MM TRANSMISSION HYDROSTATIC



**DR1001AHG 10000KG**  
UNLOADING SYSTEM ROTATING  
POWER 55.4KW WIDTH 2,410MM TRANSMISSION HYDROSTATIC

All AUSA dumpers can be equipped with AUSAnow, the software used to remotely control machines, providing you with all real-time information.



### Control your fleet of machines

From your office or with your mobile phone. Control all of your AUSA machines in real time. With AUSAnow you can anticipate any faults and maintenance, to reduce downtime.



### Get information and make decisions

View or create your own personalised charts to obtain in-depth information about the operation of your machines and make decisions that are based on analytical information.



### Connect security alarms

Establish a schedule and security perimeter. If one of your machines is moved outside the established area, AUSAnow will alert you straight away so that you can deal with it.



### Data, data and more data

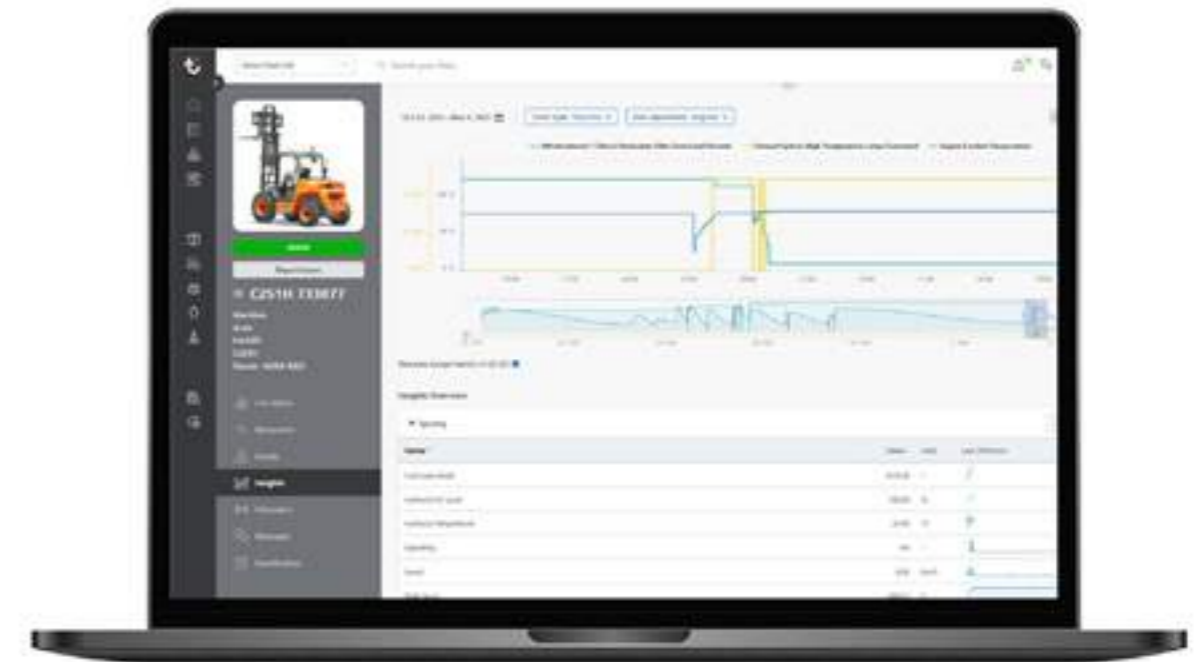
AUSAnow allows you to obtain advanced real-time information about your machine fleet. View advanced charts for customised time periods based on the parameters set by you.



### Reduce downtime

AUSAnow connects you to your dealer or rental company, so that any appropriate maintenance can be performed. If you have a problem, AUSAnow provides you with a direct channel of communication with your machine supplier, so that it can be resolved as quickly as possible.

- Preventive alerts
- Attach images



### Alarms for your peace of mind

Activate AUSA's recommended maintenance alerts and keep your machines in tip-top condition. And, for your security, you can program geofences and receive alerts if they go outside the established boundaries.

- Customise a schedule
- Set a perimeter

# TECHNICAL DATA

## TECHNICAL DATA

		D151AEG	D100AHA / COMPACT
<b>GENERAL</b>			
Unloading system	-	Rotating	High
Load capacity	kg	1500	1000
Chassis	-	Articulated	Articulated
Water hopper capacity	l	520	345
Level hopper capacity	l	626	395
Heaped hopper capacity	l	900	565
Empty weight *	kg	1565	1300
Transmission	-	Electric	Hydrostatic
Reversibility	-	No	No
<b>ENGINE</b>			
Brand / Model	-	-	KUBOTA D1105-E4B
Power	kW	-	15,6
Peak/Nominal power	kW	17,3 / 7,6	-
Operating speed	rpm	-	2400
Peak torque	N.m	130	71,4@1600
No. of cylinders	-	-	3
Emissions	-	Zero emissions	Stage V, Tier 4
Noise	dB(A)	-	101
<b>DRIVING</b>			
Max. speed	km/h	15	15
Maximum gradient	%	35	38
External turning radius	mm	3390	3060
Traction	-	4x4	4x4
Tyres	-	10.0/75-15.3	27x8.5-15 / 6.5/80-12
<b>HYDRAULIC SYSTEM</b>			
Hydraulic circuit	-	12cc. Gear pump	8cc. Gear pump
Flow rate	l/min	18	17,28
Working pressure	bar	170	180
<b>TANK CAPACITY</b>			
Fuel	l	-	23
Hydraulic system	l	24,5	21,2
<b>BRAKES</b>			
Service	-	Sealed. Hydraulic drive	Sealed. Mechanical drive
Parking	-	Negative brake and electro-hydraulic release	Mechanical drive
<b>BATTERY</b>			
Battery type	-	Lithium-Ion Battery (NCM)	-
Gross capacity	kWh	9,3	-
System voltage	V	48	-
Autonomy ***	-	One intense shift	-
<b>CHARGE</b>			
Charger	-	Integrated	-
Charging time 20-80% **	-	2h (@230V)	-
Charging time 20-80% (external fast charger) **	-	1h (@415V)	-
Charging cable plug type	-	16A 110V (yellow); 16A 230V (blue); 16A 415V (red)	-

\* It may change due to optional equipment \*\* Subject to environmental conditions and to the kind and power of charging station.

\*\*\* Subject to environmental conditions and the kind of use. For temperatures under 0°C it is recommended to fit the "Additional battery for longer range (+3.1 kWh)".

	D100AHG	D120AHA	D120AHG
<b>GENERAL</b>			
Unloading system	Rotating	High	Rotating
Load capacity	1000	1200	1200
Chassis	-	Articulated	-
Water hopper capacity	325	425	415
Level hopper capacity	390	515	495
Heaped hopper capacity	545	700	695
Empty weight *	1300	1375	1375
Transmission	-	Hydrostatic	-
Reversibility	-	No	-
<b>ENGINE</b>			
Brand / Model	-	KUBOTA D1105-E4B	-
Power	-	15,6	-
Peak/Nominal power	-	-	-
Operating speed	-	2400	-
Peak torque	-	71,4@1600	-
No. of cylinders	-	3	-
Emissions	-	Stage V, Tier 4	-
Noise	-	101	-
<b>DRIVING</b>			
Max. speed	15	17	17
Maximum gradient	38	48	48
External turning radius	3035	3125	3095
Traction	4x4	4x4	4x4
Tyres	27x8.5-15	10.0/75-15.3	10.0/75-15.3
<b>HYDRAULIC SYSTEM</b>			
Hydraulic circuit	-	8cc. Gear pump	-
Flow rate	-	17,28	-
Working pressure	-	180	-
<b>TANK CAPACITY</b>			
Fuel	23	23	23
Hydraulic system	21,2	21,2	21,2
<b>BRAKES</b>			
Service	-	Sealed. Mechanical drive	-
Parking	-	Mechanical drive	-
<b>BATTERY</b>			
Battery type	-	-	-
Gross capacity	-	-	-
System voltage	-	-	-
Autonomy ***	-	-	-
<b>CHARGE</b>			
Charger	-	-	-
Charging time 20-80% **	-	-	-
Charging time 20-80% (external fast charger) **	-	-	-
Charging cable plug type	-	-	-

# TECHNICAL DATA

## TECHNICAL DATA

		D150AHA	D150AHG	D201AHG
<b>GENERAL</b>				
	<b>UNIT</b>			
Unloading system	-	High	Rotating	Rotating
Load capacity	kg	1500	1500	2000
Chassis	-	Articulated		
Water hopper capacity	l	605	520	695
Level hopper capacity	l	681	626	1084
Heaped hopper capacity	l	841	900	1337
Empty weight	kg	1510	1510	2083
Transmission	-	Hydrostatic		
Reversibility	-	No		
<b>ENGINE</b>				
Brand / Model	-	KUBOTA D1105-E4B		KUBOTA V1505-E4B
Power	kW	15,6		18,5
Operating speed	rpm	2400		2300
Torque	N·m	71,4@1600		92,6@1700
No. of cylinders	-	3		4
Emissions	-	Stage V, Tier 4		Stage V, Tier 4
Injection	-	Mechanical pump		
Exhaust aftertreatment	-	-		
Noise	dB(A)	101		101
<b>DRIVING</b>				
Max. speed	km/h	14	14	17
Maximum gradient	%	40	40	50
External turning radius	mm	3260	3260	3955
Traction	-	4x4	4x4	4x4
Tyres	-	10.0/75-15.3	10.0/75-15.3	11.5/80-15.3
<b>HYDRAULIC SYSTEM</b>				
Hydraulic circuit	-	8cc. Gear pump		12cc. Gear pump
Flow rate	l/min	17,28	17,28	25
Working pressure	bar	180	180	175
<b>TANK CAPACITY</b>				
Fuel	l	23	23	37,5
Hydraulic system	l	21,2	21,2	37,4
<b>BRAKES</b>				
Service	-	Sealed. Mechanical drive		Hydrostatic, retention
Parking	-	Mechanical drive		Negative, integrated in the transfer box

	D301AHG	D350AHG	D450AHG	
<b>GENERAL</b>				
Unloading system		Rotating		
Load capacity	3000	3500	4500	
Chassis		Articulated		
Water hopper capacity	984	1020	1370	
Level hopper capacity	1320	1790	2055	
Heaped hopper capacity	1742	2130	2670	
Empty weight	2300	2831	2970	
Transmission		Hydrostatic		
Reversibility		No		
<b>ENGINE</b>				
Brand / Model	KUBOTA V1505-E4B	KUBOTA V2403M-E3B	KUBOTA D1803-CR-T-E5B	KUBOTA D1803-CR-T-E5B
Power	18,5	36,5	32,8	32,8
Operating speed	2300	2700	2400	2400
Torque	92,6@1700	160@1600	150,5@1500	150,5@1500
No. of cylinders	4	4	3	3
Emissions	Stage V, Tier 4	Stage IIIA, Tier 4i	Stage V, Tier 4f	Stage V, Tier 4f
Injection	Mechanical pump	Mechanical pump	Common Rail	Common Rail and electronic management
Exhaust aftertreatment	-	-	DPF (Diesel particulate filter)	DPF (Diesel particulate filter)
Noise	101	101	101	101
<b>DRIVING</b>				
Max. speed	17	19		22
Maximum gradient	50	54		35
External turning radius	3955	4515		4830
Traction	4x4	4x4		4x4
Tyres	11.5/80-15.3	11.5/80-15.3		12.0/75-18
<b>HYDRAULIC SYSTEM</b>				
Hydraulic circuit		12cc. Gear pump		
Flow rate	25	26,6		26,6
Working pressure	175	170		200
<b>TANK CAPACITY</b>				
Fuel	37,5	44		44
Hydraulic system	37,4	40		40
<b>BRAKES</b>				
Service		Sealed. Hydraulic drive		
Parking		Negative brake and electro-hydraulic release		

# TECHNICAL DATA

## TECHNICAL DATA

		D601AHG	D601APG
<b>GENERAL</b>			
	<b>UNIT</b>		
Unloading system	-	Rotating	
Load capacity	kg	6000	6000
Chassis	-	Articulated	
Water hopper capacity	l	1665	1665
Level hopper capacity	l	2455	2455
Heaped hopper capacity	l	3154	3154
Empty weight	kg	4581	4687
Transmission	-	Hydrostatic	Torque converter
Reversibility	-	No	
<b>ENGINE</b>			
Brand / Model	-	DEUTZ TD3.6 L4	
Power	kW	55,4	
Operating speed	rpm	2200	
Torque	N·m	330@1600	
No. of cylinders	-	4	
Emissions	-	Tier 4f	
Injection	-	Common Rail	
Exhaust aftertreatment	-	DOC (diesel oxidation catalyst)	
Noise	dB(A)	101	
<b>DRIVING</b>			
Max. speed	km/h	25	25
Maximum gradient	%	45	45
External turning radius	mm	5900	5900
Traction	-	4x4	4x4
Tyres	-	405/70-20	405/70-20
<b>HYDRAULIC SYSTEM</b>			
Hydraulic circuit	-	25cc. Gear pump	
Flow rate	l/min	50	46
Working pressure	bar	180	180
<b>TANK CAPACITY</b>			
Fuel	l	69	69
Hydraulic system	l	60	60
<b>BRAKES</b>			
Service	-	Sealed. Hydraulic drive	
Parking	-	Negative brake and electro-hydraulic release	

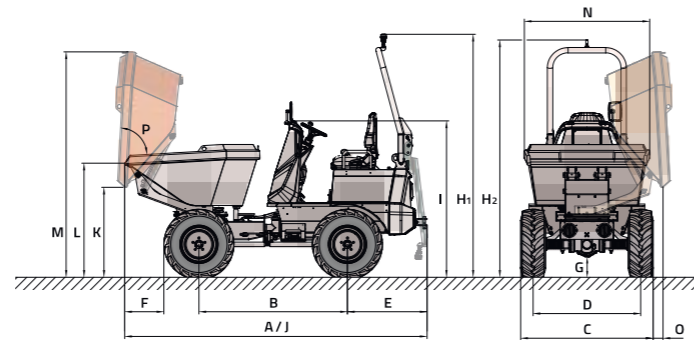
	D1001APG	DR601AHG	DR1001AHG
<b>GENERAL</b>			
Unloading system		Rotating	
Load capacity	10000	6000	10000
Chassis		Articulated	
Water hopper capacity	1850	1665	1850
Level hopper capacity	3300	2455	3300
Heaped hopper capacity	3900	3154	3900
Empty weight	5153	4840	5050
Transmission	Torque converter	Hydrostatic	
Reversibility	No	Yes	
<b>ENGINE</b>			
Brand / Model	DEUTZ TCD3.6 L4 HT	DEUTZ TD3.6 L4	DEUTZ TCD3.6 L4 HT
Power	55,4	55,4	55,4
Operating speed	2200	2200	2200
Torque	390@1300	330@1600	390@1300
No. of cylinders	4	4	4
Emissions	Tier 4f	Tier 4f	Tier 4f
Injection	Common Rail	Common Rail	Common Rail
Exhaust aftertreatment	DOC (diesel oxidation catalyst)	DOC (diesel oxidation catalyst)	DOC (diesel oxidation catalyst)
Noise	101	101	101
<b>DRIVING</b>			
Max. speed	25	25	22
Maximum gradient	45	45	45
External turning radius	6287	5900	6287
Traction	4x4	4x4	4x4
Tyres	500/60-22.5	405/70-20	500/60-22.5
<b>HYDRAULIC SYSTEM</b>			
Hydraulic circuit		Gear pump	
Flow rate	46	50	50
Working pressure	180	180	180
<b>TANK CAPACITY</b>			
Fuel	69	69	69
Hydraulic system	60	60	60
<b>BRAKES</b>			
Service		Sealed. Hydraulic drive	
Parking		Negative brake and electro-hydraulic release	



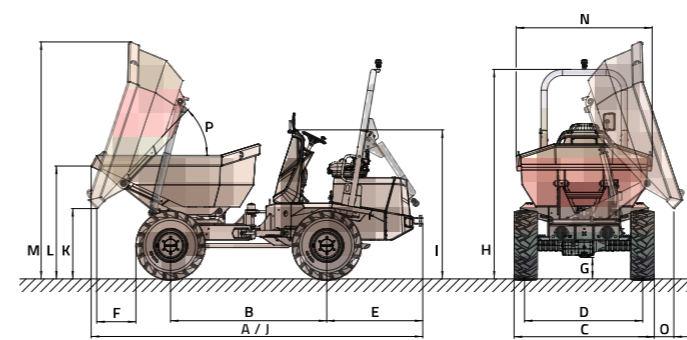
# DIMENSIONS

## DIMENSIONS

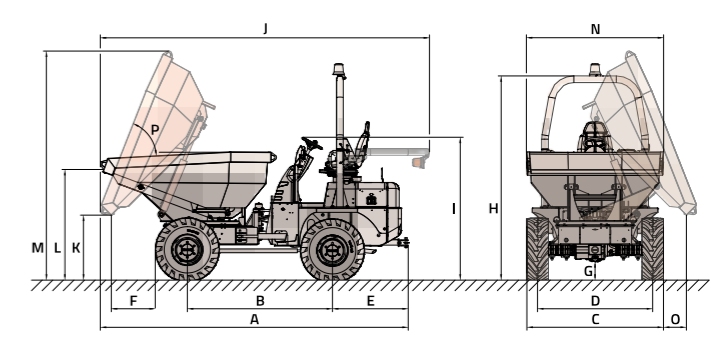
D151AEG



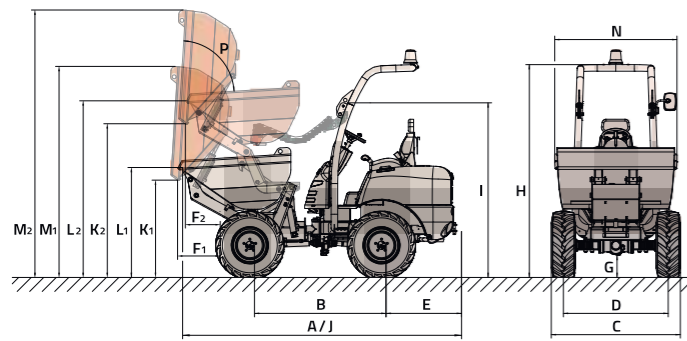
D201AHG / D301AHG



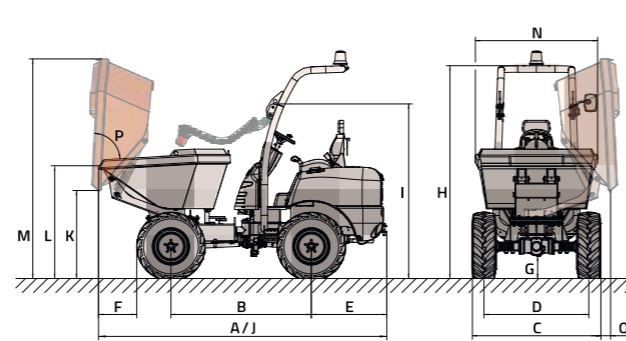
D350AHG / D450AHG



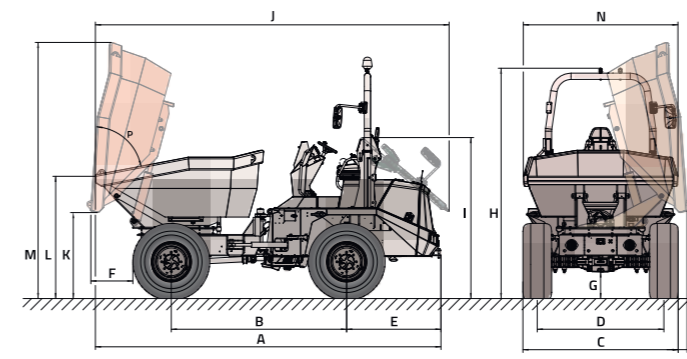
D100AHA / D120AHA / D150AHA



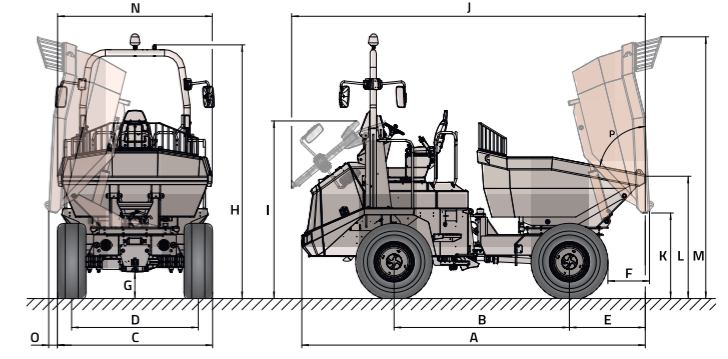
D100AHG / D120AHG / D150AHG



D601AHG / D601APG / D1001APG



DR601AHG / DR1001AHG



	D151AEG	D100AHA	D100AHA COMPACT	D100AHG	D120AHA	D120AHG	D150AHA	D150AHG
<b>DIMENSIONS (mm)</b>								
A	3360	3200	3200	3200	3200	3200	3200	3300
B	1650	1500	1500	1500	1500	1500	1500	1600
C	1480	1100	990	1100	1210	1210	1480	1480
D	1195	865	815	865	925	925	1195	1195
E	885	860	860	860	860	860	860	860
F	460	500   460	545   505	500	460   420	460	460   420	460
G	250	210	170	210	250	250	250	250
H	2600	2400	2360	2400	2440	2440	2440	2440
I	1730	1960	1920	1960	2000	2000	2000	2000
J	3235	3200	3200	3200	3200	3200	3200	3300
K	1000	950   1710	910   1670	950	990   1750	1000	990   1750	1000
L	1290	1230   1980	1180   1940	1230	1270   2020	1270	1270   2020	1290
M	2500	2250   3010	2210   2970	2350	2300   3050	2400	2300   3050	2500
N	1400	1000	1000	1000	1200	1200	1400	1400
O	135	-	-	310	-	260	-	135
<b>DIMENSIONS (°)</b>								
P	83	83	83	83	83	83	83	83

1 ▲ | ▲ 2    1 ▲ | ▲ 2

1 ▲ | ▲ 2

1 ▲ | ▲ 2

	D201AHG	D301AHG	D350AHG	D450AHG	D601AHG	D601APG	D1001APG	DR601AHG	DR1001AHG
	3995	4140	4170	4380	4910	4910	5020	4910	5020
	1880	1950	1960	1960	2490	2490	2690	2490	2690
	1500	1750	1840	1860	2210	2210	2410	2210	2410
	1235	1460	1555	1555	1800	1800	1920	1800	1920
	1200	1200	1025	1025	1340	1340	1340	1080	990
	480	490	600	775	580	580	485	580	485
	240	260	260	310	380	380	410	380	410
	2560	2605	2770	2820	3280 (3110*)	3280 (3110*)	3640 (3380*)	3610 (3350*)	3640 (3380*)
	1805	1850	1940	2100	2290	2290	2560	2530	2560
	3995	4140	4450	4660	5030	5030	5140	5030	5140
	935	865	870	735	1220	1220	1260	1220	1260
	1305	1420	1490	1640	1740	1740	1820	1740	1820
	2910	2950	3090	3190	3640	3640	3830	3720	3940
	1480	1700	1850	1870	2200	2200	2330	2200	2330
	260	250	310	520	110	110	155	110	155
	49	46,5	65	65	75	75	75	75	75

\* With closed cab.

# EQUIPMENT

	D151AEG	D100 AHA/AHG	D120 AHA/AHG	D150 AHA/AHG	D201AHG	D301AHG	D350AHG (36.5 kW)	D350AHG (32.8 kW)	D450AHG	D601AHG	D601APG	D1001APG	DR601AHG	DR1001AHG
<b>DRIVING POSITION</b>														
Front folding ROPS protective structure		●	●	●										
Rear folding ROPS protective structure	●	○	○	○	●	●	●	●	●	●	●	●	●	●
FOPS protective roof on ROPS protective structure		○	○	○			○							
Closed ROPS/FOPS cab with heating										○	○	○	○	○
Closed ROPS/FOPS cab with heating and air conditioning										○	○	○	○	○
<b>SAFETY</b>														
Seat belt with fasten sensor	●				●	●	●	●	●	●	●	●	●	●
Seat with operator's presence sensor	●				●	●	●	●	●	●	●	●	●	●
Rotating beacon		●	●	●			●	●	●					
LED rotating beacon	●				●	●				●	●	●	●	●
LED green rotating beacon	○				○	○				○	○	○	○	○
Acoustic warning for reverse gear	●	●	●	●	●	●	●	●	●	●	●	●	●	●
Battery master switch	●				●	●				●	●	●	●	●
Emergency stop	●	○	○	○	○	○	○			●	●	●	●	●
Anti-vandal security system	●	●	●	●	●	●	●	●	●	●	●	●	●	●
Hill Holder - hill-start assist	●									●			●	●
Negative brake	●				●	●	●	●	●	●	●	●	●	●
Full visibility camera on the skip side									●	●	●	●	●	●
Full visibility cameras on the skip and counterweight sides and proximity sensors					○	○	○	○	○					
Full visibility camera on the counterweight side and proximity sensors										○	○	○	○	○
Protective grille on the skip												○	●	●
Reflective decals on rear body	○	○	○	○	○	○	○	○	○	○	○	○	○	○
<b>LIGHTING AND DRIVING</b>														
Road lights	○	○	○	○	○	○	○	○	○	○	○	○	○	○
Front LED working lights	○				○	○								
Rear-view mirror	●	●	●	●	●	●	●	●	●	●	●	●	●	●
Second rear-view mirror					○	○				○	○	○	●	●
Third rear-view mirror										○	○	○	○	○
<b>COMFORT</b>														
Adjustable ergonomic seat	●	●	●	●	●	●	●	●	●	●	●	●	●	●
Highly comfortable seat, fully adjustable	○	○	○	○			○							
All-in-one joystick	●	●	●	●	●	●	●	●	●	●	●	●	●	●
<b>ADVANCED EQUIPMENT</b>														
Electric transmission	●													
Hydrostatic transmission		●	●	●	●	●	●	●	●	●			●	●
Limited-slip differential on both axles										●	●	●	●	●
ECO Mode system										●			●	●
Smart Stop system										○	○	○	○	○
Digital display	●									●	●	●	●	●
AUSAnow fleet manager	○	○	○	○		○	○	○	○	○	○	○	○	○
Additional battery for longer range (+3.1 kWh)	○				○									

	D151AEG	D100 AHA/AHG	D120 AHA/AHG	D150 AHA/AHG	D201AHG	D301AHG	D350AHG (36.5 kW)	D350AHG (32.8 kW)	D450AHG	D601AHG	D601APG	D1001APG	DR601AHG	DR1001AHG
<b>ACCESSORIES</b>														
Metal engine cover	●	○	○	○	●	●								
Front mudguards	○	○	○	○	○	○	○	○	○	○	○	○	○	○
Reverse gear acoustic warning disable switch	○	○	○	○	○	○	○	○	○	○	○	○	○	○
Acoustic warning for reverse gear with white noise	○	○	○	○	○	○	○	○	○	○	○	○	○	○
Car radio													○	○
Waterproof document holder	○	○	○	○	○	○	○	○	○	○	○	○	○	○
Biodegradable hydraulic oil	○	○	○	○	○	○	○	○	○					
Water separator diesel filter					○	○	○	●	●					
Air filter with cyclone pre-filter					○	○		○	○					
Towing ball and pintle hitch					○			○	○					
Towing ball and pintle hitch with power socket	○	○	○	○										
Rockinger hitch							○	○	○					
Rockinger hitch with power socket										○	○	○	○	○
Power socket for the trailer					○	○	○	○	○	○	○	○	○	○
<b>TYRES</b>														
Narrow tyres 10.0/75-15.3" TL - 14PR										○	○			
Turf tyres 400/60 -15.5" TL 14PR										○	○	○	○	
Pack of 4 turf wheels 400/60 -15.5" TL 14PR (Additional)										○	○	○	○	
Turf tyres 400/70-20" TL - 14PR													○	○
Pack of 4 turf wheels 400/70-20" TL - 14PR (Additional)													○	○
Turf tyres 500/50 -17" TL 18PR													○	
Pack of 4 turf wheels 500/50 -17" TL 18PR (Additional)													○	
Spare wheel turf tyre 500/50 -17" TL 18PR (1ut.)													○	
<b>SPARE PARTS</b>														
Spare wheels	○	○	○	○	○	○	○	○	○	○	○	○	○	○
1,000 h maintenance kit	○	○	○	○	○	○	○	○	○	○	○	○	○	○

● Standard ○ Optional

**AUSA**  
**C/ Castelladral 1**  
**08243 Manresa - Barcelona**  
**SPAIN**  
**Tel. +34 93 874 7311**  
**ausa@ausa.com**  
**www.ausa.com**

AUSA Spain: +34 91 669 00 06 [ausa.madrid@ausa.com](mailto:ausa.madrid@ausa.com)  
AUSA France: +33 (0) 4 68 54 38 97 - [ausa.france@ausa.com](mailto:ausa.france@ausa.com)  
AUSA U.K.: +44 (0)7703 60 9009 - [ausa.uk@ausa.com](mailto:ausa.uk@ausa.com)  
AUSA Central Europe: +49 2384 9415725 - [kontakt@ausa.com](mailto:kontakt@ausa.com)  
AUSA U.S.: +1 (310) 426 2305 - [ausa.us@ausa.com](mailto:ausa.us@ausa.com)  
AUSA CHINA: +86 10 8598 7386 - [ausa.china@ausa.com](mailto:ausa.china@ausa.com)

MKCAT.AD.OC.EN01

Distributor's stamp



[www.ausa.com](http://www.ausa.com)