

TELEHANDLERS

Ultracompact, versatile and capable





2,700 lb

T144H

4



4,400 - 5,000 lb

T204H

T235H

6

AUSAnow

10

Technical data

12

Dimensions

13

Equipment

14



T144H 2,700 lb
MAXIMUM LIFT 13.1 ft
POWER 24.8 hp **WIDTH** 55.3 in **TRANSMISSION** HYDROSTATIC

FEATURED EQUIPMENT

Spacious driver's cab for comfortable and safe handling. **Ergonomic joystick** that controls the movements of the panel, the hydraulic functions and the transmission. **Seat belt with a buckle sensor and seat with presence sensor** to prevent the machine from being used without following the minimum safety procedures. **Permanent 4WD** with automatic anti-slip system. **Hydrostatic transmission** to ensure smooth and safe operation for the user. **Slow approach pedal** for precise maneuvering.

TELEHANDLER

2,700 lb

The T144H is the smallest ultra-compact telescopic handler available on the market. At just 55 inches wide, it is the best solution for handling and transporting materials in confined spaces, especially in difficult-to-access areas with steep terrain. It can also easily be transported with a conventional trailer.

It has hydraulic functions and quick connect couplings for accessories and attachments, allowing it to be customized to suit each need. It is the perfect vehicle for landscaping work, greenhouses, agriculture and construction.



TELEHANDLERS

4,400 - 5,000 lb

AUSA's range of telescopic handlers with the highest payload. They are versatile machines whose payload allows them to handle larger materials. They are equipped with 4x4x4 drive, allowing them to cope with the most difficult terrains. They have three steering modes for improved maneuverability and approaches: front-wheel, four-wheel and crab.

They are designed to increase the driver's safety and comfort. The side position of the arm ensures a more spacious cab, while minimizing the overall cab width. The advanced cab position provides the operator with 360 degree vision.

FEATURED EQUIPMENT

Tilting cab for easy access to the engine and components. **Ergonomic joystick** that controls the movements of the panel, the hydraulic functions and the transmission. **Seat belt with a buckle sensor and seat with presence sensor** to prevent the machine from being used without following the minimum safety procedures. **Digital screen** to access machine information and on board diagnostics. **Limited-slip differential** on the front axle, which transmits the necessary amount of power to each individual wheel. **Three steering modes:** front-wheel, four-wheel and "crab mode". **Slow approach pedal** for precise maneuvering.





T204H 4,400 lb
MAXIMUM LIFT 13.8 ft
POWER 44.5 hp WIDTH 62.6 in TRANSMISSION HYDROSTATIC



T235H 5,000 lb
MAXIMUM LIFT 16.4 ft
POWER 44.5 hp WIDTH 62.6 in TRANSMISSION HYDROSTATIC

All AUSA telehandlers can be equipped with AUSAnow, the software used to remotely control machines, providing you with all real-time information.



Control your fleet of machines

From your office or with your mobile phone. Control all of your AUSA machines in real time. With AUSAnow you can anticipate any faults and maintenance, to reduce downtime.



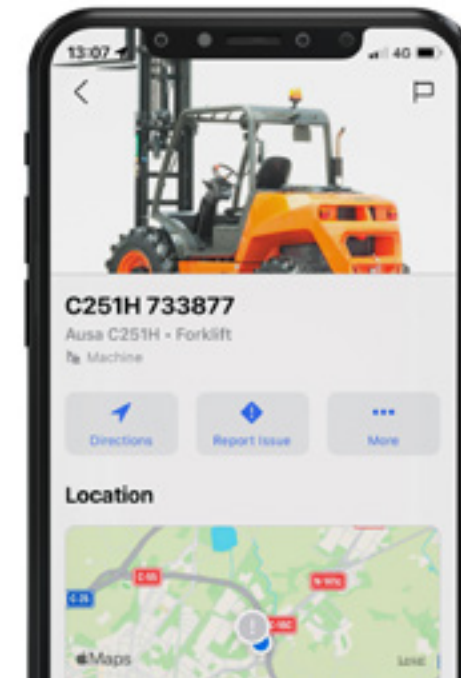
Get information and make decisions

View or create your own personalized charts to obtain in-depth information about the operation of your machines and make decisions that are based on analytical information.



Connect security alarms

Establish a schedule and security perimeter. If one of your machines is moved outside the established area, AUSAnow will alert you straight away so that you can deal with it.



Data, data and more data

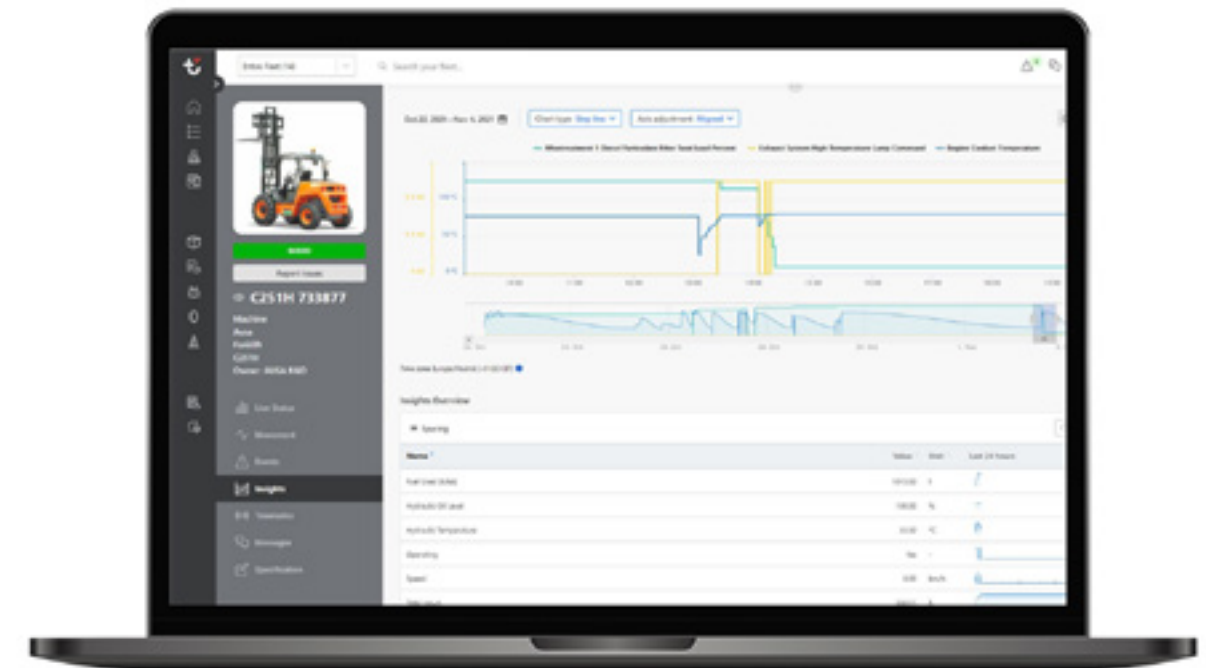
AUSAnow allows you to obtain advanced real-time information about your machine fleet. View advanced charts for customized time periods based on the parameters set by you.



Reduce downtime

AUSAnow connects you to your dealer or rental company, so that any appropriate maintenance can be performed. If you have a problem, AUSAnow provides you with a direct channel of communication with your machine vendor, so that it can be resolved as quickly as possible.

- Preventive alerts
- Attach images



Alarms for your peace of mind

Activate AUSA's recommended maintenance alerts and keep your machines in tip-top condition. And, for your security, you can program geofences and receive alerts if they go outside the established boundaries.

- Customise a schedule
- Set a perimeter

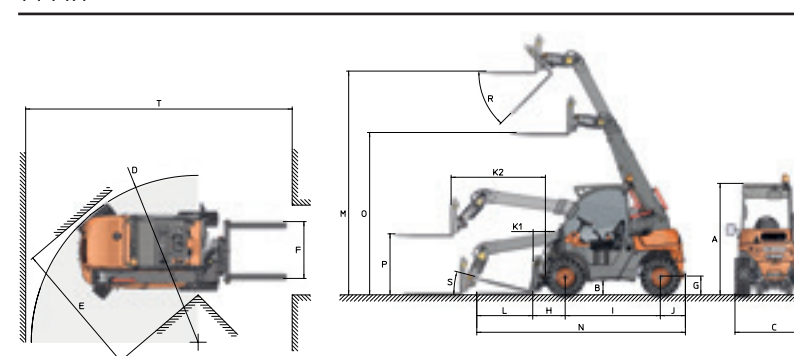
TECHNICAL DATA

DIMENSIONS

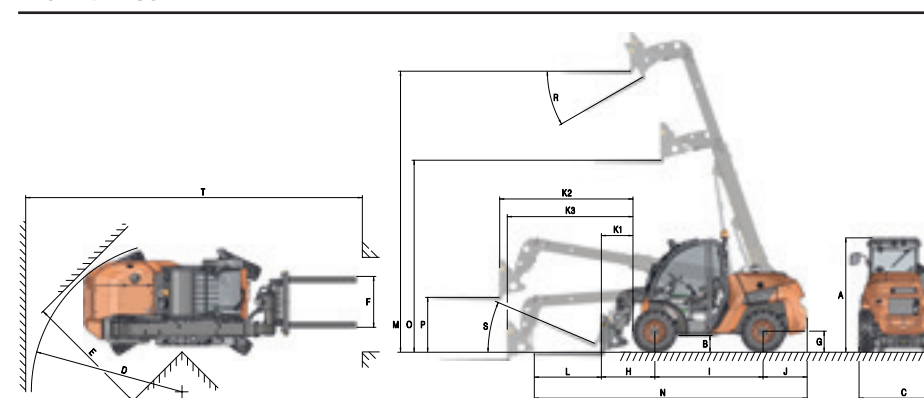
		T144H	T204H	T235H
GENERAL				
	UNIT			
Load capacity	lb	2,700	3,920	4,825
Load capacity at maximum height	lb	1,695	1,960	2,765
Maximum lift	ft	13.1	13.8	16.4
Maximum lift under maximum load	ft	11.1	12.3	14.1
Maximum reach	ft	5.5	6.8	7.7
Maximum load at maximum reach	lb	1,200	2,204	1,764
Unladen weight *	lb	5,571	9,457	10,560
Transmission	-	Hydrostatic		
ENGINE				
Make / Model	-	KUBOTA V1505-E4B	KUBOTA D1803-CR-T-E5B	KUBOTA D1803-CR-T-E5B
Power	hp	24.8	44	44
Operating speed	rpm	2300	2400	2400
Torque	N.m	92.6@1,700	150.5@1,500	150.5@1,500
No. of cylinders	-	4	3	3
Emissions	-	Tier4	Tier4f	Tier4f
Noise	dB(A)	101	102	102
DRIVING				
Maximum speed	mph	11.4	12.4	12.4
Gradeability under full load	%	25	42	42
External turning radius	in	117.4	113.2	113.2
Traction	-	4WD	4WD	4WD
Front tires	-	11.0/65-12	10/75-15.3	10/75-15.3
Rear tires	-	11.0/65-12	10/75-15.3	10/75-15.3
HYDRAULIC SYSTEM				
Hydraulic circuit	-	Two gears pump		
Flow rate	gal/min	5.5	13.7 / 4.5	13.7 / 4.5
Working pressure	psi	3,481	3,481	3,481
TANK CAPACITY				
Fuel	gal	14.5	17.2	17.2
Hydraulic system	gal	8.4	18.5	18.5
BRAKES				
Service	-	Hydrostatic retention	Hydraulic, sealed discs	Hydraulic, sealed discs
Parking	-	Negative at the hydrobase	Mechanical, sealed discs	Mechanical, sealed discs

* It may change due to optional equipment

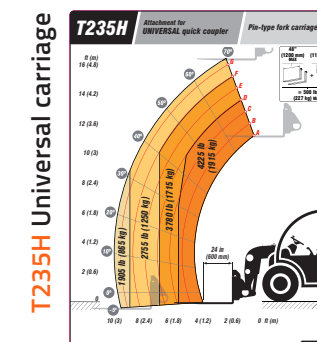
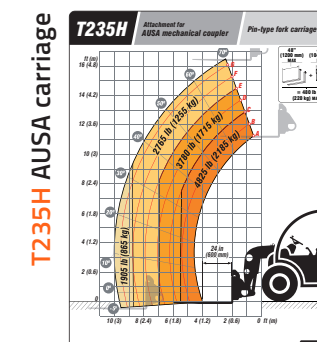
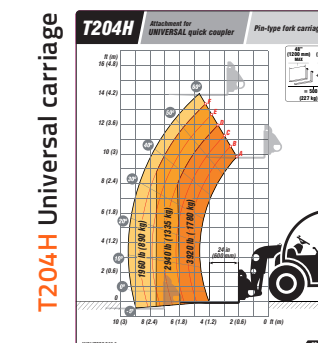
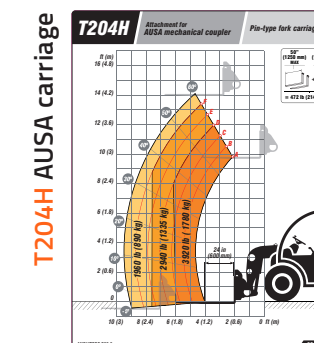
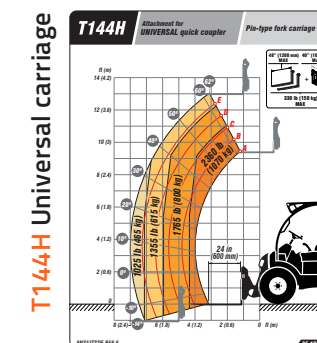
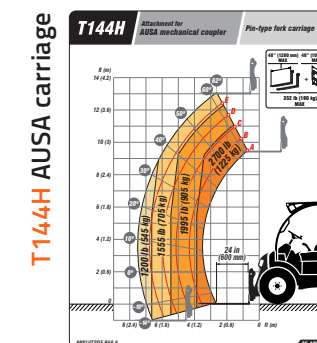
T144H



T204H / T235H



	T144H	T204H	T235H
DIMENSIONS (in)			
A	78.7	79.9	79.9
B	9.9	11.8	11.8
C	55.3	62.6	62.6
D	117.4	119.7	119.7
E	97.7	97.2	89
F	39.9	35.6	35.6
G	13.2	14.7	14.7
H	22.8	32.3	37.8
I	66.9	75.8	75.8
J	17.7	31.1	31.1
K1	9	16.9	22.4
K2	66.2	89	92.5
K3	-	82.9	88
L	39.4	47.2	47.2
M	157.5	169.3	196.5
N	146.8	186.2	192.1
O	115.3	118.1	134.2
P	43.1	42	36.7
T	186.2	231.5	231.5
DIMENSIONS (°)			
R	46	52	43
S	13	23	24



EQUIPMENT

	T144H	T204H	T235H
DRIVING POSITION			
Open ROPS/FOPS cab	●		
Semi-closed ROPS/FOPS cab with front, rear and upper windshields	○	●	●
Closed ROPS/FOPS cab with heating	○	○	○
Closed ROPS/FOPS cab with heating and air conditioning		○	○
Tilting cab with assisted lift		●	●
COUPLERS			
AUSA mechanical coupler	●	●	●
Universal hydraulic quick coupler	○	○	○
SAFETY			
Seat belt with fasten sensor	●	●	●
Seat with operator's presence sensor	●	●	●
Rotating beacon	●	●	●
Acoustic warning for reverse gear	●	●	●
Emergency stop	●	●	●
Load level indicator	●	●	●
Overload locking system with 60-second deactivation push-button	●	●	●
Windshield protective grill	○	○	○
LIGHTING AND DRIVING			
Road lights	○	○	○
Front working lights	○	●	●
Rear working light	○	○	○
Rear-view mirror	●	●	●
Right-side panoramic rear-view mirror	○	●	●
Second rear-view mirror	○		
COMFORT			
Adjustable ergonomic seat with operator's presence sensor	●	●	●
All-in-one joystick	●	●	●
Inverted joystick functions	○	○	○
ADVANCED EQUIPMENT			
Hydrostatic transmission	●	●	●
Limited-slip differential on the front axle		●	●
Front-wheel, four-wheel and crab steering modes		●	●
Inching pedal	●	●	●
Digital display		●	●
AUSAnow fleet manager	○	○	○

	T144H	T204H	T235H
FORKS			
39.4 in forks	●		
47.2 in forks	○	●	●
41.3 in fork carriage	●	●	●
47.2 in load rest	○	○	○
Built-in FEM II side shifter with 47.2 in load rest	○	○	○
IMPLEMENTS			
Two-hand control for locking and unlocking attachments	●	●	●
92.4 gal shovel	○		
158.5 gal shovel		○	○
184.9 gal shovel		○	○
105.6 gal 4x1 multi-function shovel		○	○
65.5 gal 4x1 multi-function shovel	○		
ACCESSORIES			
4th auxiliary hydraulic line	●	●	●
5th auxiliary hydraulic line	○	○	○
Continuous flow	○	○	○
Car radio	○	○	○
Waterproof document holder	●	○	○
Water separator diesel filter		●	●
Air filter with cyclone pre-filter	○	○	○
Biodegradable hydraulic oil	○	○	○
Towing hitch ball	○		
Power socket for the trailer	○		
Towing hitch ball with power socket		○	○
TIRES			
Low-profile tires 27x10-12" TT 14PR		○	
All-terrain SSL tires 27x10-12" - 8 PR	○		
Turf tires 26x12.00-12" - 14PR	○		
PARTS			
Standard spare wheel	○	○	○
1,000 h maintenance kit	○	○	○

● Standard ○ Optional

AUSA US CORP
9481 Industrial Center Dr, Unit 3,
Ladson, SC 29456
USA
Tel. (843) 202 0387
ausa.us@ausa.com
www.ausa.com

AUSA Center: +34 93 874 7311 - ausa@ausa.com
AUSA Spain: +34 91 669 00 06 ausa.madrid@ausa.com
AUSA France: +33 (0) 4 68 54 38 97 - ausa.france@ausa.com
AUSA U.K.: +44 (0)7703 60 9009 - ausa.uk@ausa.com
AUSA Central Europe: +49 2384 9415725 - kontakt@ausa.com
AUSA U.S.: +1 (310) 426 2305 - ausa.us@ausa.com
AUSA CHINA: +86 10 8598 7386 - ausa.china@ausa.com

Distributor's stamp



www.ausa.com