

TELEHANDLERS

Ultracompact, versatile and capable





1600 kg ELECTRIC

4

T 164E



1350 kg

8

T144H



1600 kg

10

T164H



2000 - 2300 kg

12

T204H

T235H

AUSAnow

16

Technical data

18

Dimensions

21

Equipment

22

ELECTRIC TELEHANDLER

1600 KG

Electric, powerful, all-terrain. The T164E electric telescopic handler is the perfect vehicle for material lifting tasks with no CO2 emissions. It has been designed with sufficient capacity for a complete day of work without needing to be recharged.

And whenever necessary, it can be connected directly to the mains via a single-phase or three-phase socket. It also features a fast charger.

An ideal vehicle for working in emission-free spaces, such as greenhouses, municipal works carried out at night, indoors, etc.

With a peak power of 18.4 kW and excellent off-road capability, it can work on difficult terrain and gradients of up to 32%.

FEATURED EQUIPMENT

Charging cable in the vehicle, so it can be plugged in at any time. **Ergonomic joystick** that controls the hydraulic functions and the transmission. **Seat belt with a buckle sensor and seat with presence sensor** to prevent the machine from being used without the minimum safety measures. **Digital screen** with all of the information about the machine and self-diagnostics. **Hill holder**, which keeps the machine stationary on any slope, without putting your foot on the brake. **Negative brake** that is applied automatically when the motor stops. **Energy recovery system** that increases the battery range.





Battery capacity
Up to 18.6 kWh

Charging from
20 to 80%
3:15 h*

Battery type
Li-Ion



T164E 1600KG
MAXIMUM LIFT 4,000MM
POWER 21.2KW WIDTH 1,480MM TRANSMISSION ELECTRIC



T144H 1350 KG
MAXIMUM LIFT 4,000MM
POWER 18.5KW **WIDTH** 1,405MM **TRANSMISSION** HYDROSTATIC

FEATURED EQUIPMENT

Spacious driver's cab for comfortable and safe handling. **Ergonomic joystick** that controls the movements of the panel, the hydraulic functions and the transmission. **Seat belt with a buckle sensor and seat with presence sensor** to prevent the machine from being used without following the minimum safety procedures. **Permanent 4WD** with automatic anti-slip system. **Hydrostatic transmission** to ensure smooth and safe operation for the user. **Slow approach pedal** for precise manoeuvring.

TELEHANDLER

1350 KG

The T144H is the smallest ultra-compact telescopic handler available on the market. As it is only 1.4 metres wide, it is the best solution for handling and transporting materials in small spaces, especially in difficult-to-access areas with steep terrain. It can also easily be transported with a conventional trailer.

It has hydraulic functions and quick connect couplings for accessories and attachments, allowing it to be customised to suit each need. It is the perfect vehicle for landscaping work, greenhouses, agriculture and construction.





T164H 1600 KG
MAXIMUM LIFT 4,000MM
POWER 18.5KW WIDTH 1,480MM TRANSMISSION HYDROSTATIC

FEATURED EQUIPMENT

Ergonomic joystick that controls the hydraulic functions and the transmission. **Seat belt with a buckle sensor and seat with presence sensor** to prevent the machine from being used without the minimum safety measures. **Digital screen** with all of the information about the machine and self-diagnostics. **Negative brake** that is applied automatically when the motor stops. **Slow approach pedal** for precise movements.

TELEHANDLER

1600 KG

The T164H is capable of lifting a payload of up to 1,600 kg and has a maximum lift of 4 metres. Thanks to its compact dimensions, the direction of its rear wheels and its excellent manoeuvrability, it is the telescopic handler with the best turning radius of its category, including forks. Its excellent off-road capability also means that it offers a grade-ability of 40%. In short, the T164H is the telescopic handler with the best quality-price ratio on the market.

Ideal for working in small spaces, above all in the building sector and in agricultural tasks or landscaping.



TELEHANDLER

2000 - 2300 KG

AUSA's range of telescopic handlers with the highest payload. They are versatile machines whose payload allows them to handle larger materials. They are equipped with 4x4x4 drive, allowing them to cope with the most difficult terrains. They have three steering modes for improved manoeuvrability and approaches: front-wheel, four-wheel and crab.

They are designed to increase the driver's safety and comfort. The side position of the arm ensures a more spacious cab, while keeping the total width of the cab small. The advanced cab position provides the operator with all-round vision.

FEATURED EQUIPMENT

Tilting cab for easy access to the engine and components. **Ergonomic joystick** that controls the movements of the panel, the hydraulic functions and the transmission. **Seat belt with a buckle sensor and seat with presence sensor** to prevent the machine from being used without following the minimum safety procedures. **Digital screen** with all of the information about the machine and self-diagnostics. **Limited-slip differential** on the front axle, which transmits the necessary amount of power to each individual wheel. **Three steering modes**: front-wheel, four-wheel and "crab mode". **Slow approach pedal** for precise manoeuvring.





T204H 2000KG
MAXIMUM LIFT 4,300MM
POWER 32.8KW WIDTH 1,590MM TRANSMISSION HYDROSTATIC



T235H 2300KG
MAXIMUM LIFT 4,992MM
POWER 32.8KW WIDTH 1,590MM TRANSMISSION HYDROSTATIC

All AUSA telehandlers can be equipped with AUSAnow, the software used to remotely control machines, providing you with all real-time information.



Control your fleet of machines

From your office or with your mobile phone. Control all of your AUSA machines in real time. With AUSAnow you can anticipate any faults and maintenance, to reduce downtime.



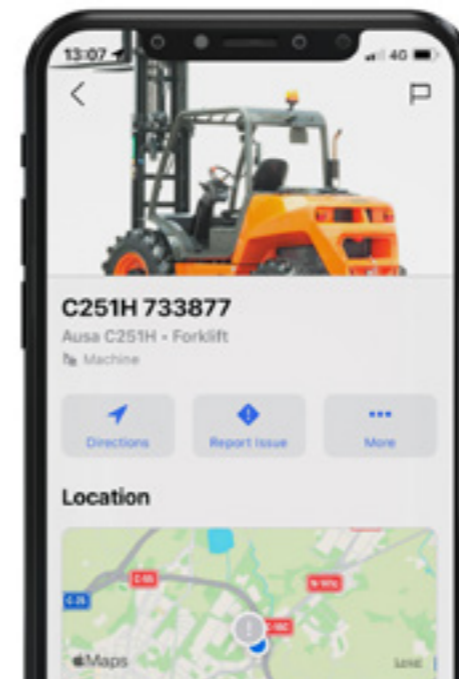
Get information and make decisions

View or create your own personalised charts to obtain in-depth information about the operation of your machines and make decisions that are based on analytical information.



Connect security alarms

Establish a schedule and security perimeter. If one of your machines is moved outside the established area, AUSAnow will alert you straight away so that you can deal with it.



Data, data and more data

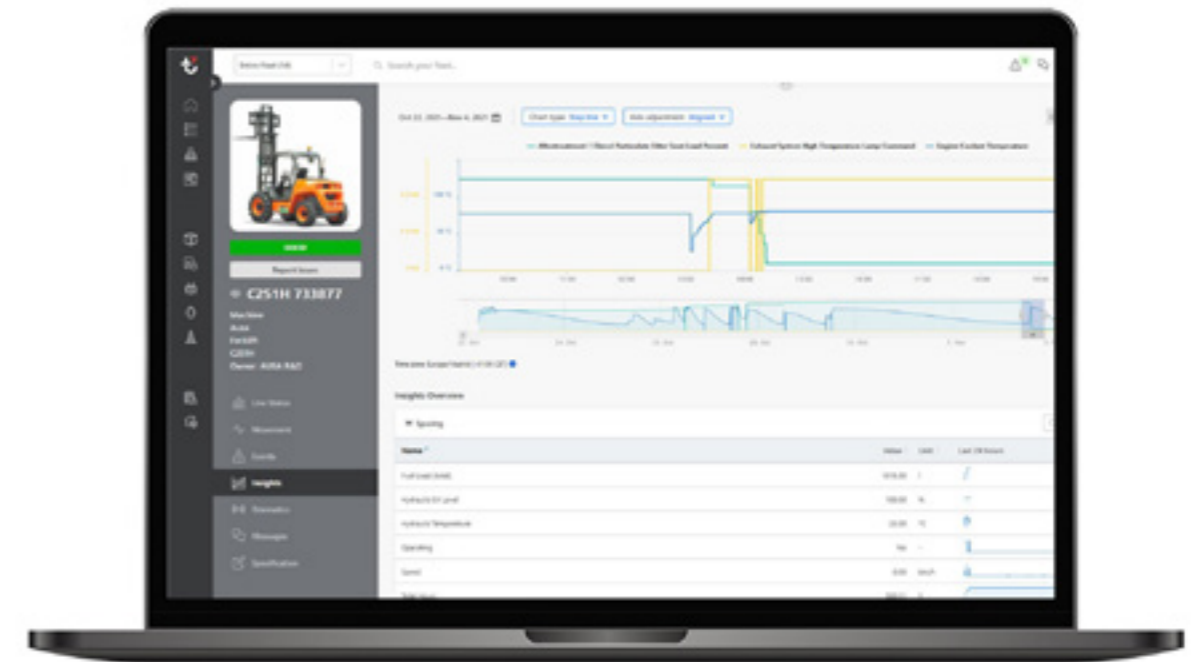
AUSAnow allows you to obtain advanced real-time information about your machine fleet. View advanced charts for customised time periods based on the parameters set by you.



Reduce downtime

AUSAnow connects you to your dealer or rental company, so that any appropriate maintenance can be performed. If you have a problem, AUSAnow provides you with a direct channel of communication with your machine supplier, so that it can be resolved as quickly as possible.

- Preventive alerts
- Attach images



Alarms for your peace of mind

Activate AUSA's recommended maintenance alerts and keep your machines in tip-top condition. And, for your security, you can program geofences and receive alerts if they go outside the established boundaries.

- Customise a schedule
- Set a perimeter

TECHNICAL DATA

TECHNICAL DATA

		T164E	T144H
GENERAL			
Load capacity	kg	1600	1350
Load capacity at maximum height	kg	1600	770
Maximum lift	mm	4000	4000
Maximum lift under maximum load	mm	3400	3400
Maximum reach	mm	1740	1682
Maximum load at maximum reach	kg	600	580
Unladen weight *	kg	3370	2527
Transmission	-	Electric	Hydrostatic
ENGINE			
Make / Model	-	-	KUBOTA V1505-E4B
Power	kW	-	18,5
Peak/Nominal power	kW	21,2/8,6	-
Operating speed	rpm	-	2300
Peak torque	N.m	134	92,6@1700
No. of cylinders	-	-	4
Emissions	-	Zero emissions	Stage V, Tier4
Noise	dB(A)	-	101
DRIVING			
Maximum speed	Km/h	15	18,3
Gradeability under full load	%	32	25
External turning radius	mm	3440	2982
Traction	-	4X4 FullGrip®	4x4
Tyres	-	10/75-15.3	11.0/65-12
HYDRAULIC SYSTEM			
Hydraulic circuit	-	Three gears pump	Two gears pump
Flow rate	l/min	29	20,8
Working pressure	bar	210	240
TANK CAPACITY			
Fuel	l	-	55
Hydraulic system	l	33	32
BRAKES			
Service	-	Hydraulic and regenerative	Hydrostatic retention
Parking	-	Negative brake and electro-hydraulic release	Negative at the hydrobase
BATTERY			
Battery type	-	Lithium-Ion Battery (NCM)	-
Gross capacity	kWh	15,5	-
System voltage	V	48	-
Autonomy	-	One intense shift ***	-
CHARGE			
Charger	-	Integrated	-
Charging time 20-80%	-	3h 15min (@230V) **	-
Charging time 20-80% (external fast charger)	-	1h (@400V) **	-
Charging cable plug type	-	16A 110V (yellow); 16A 230V (blue); 16A 400V (red)	-

* It may change due to optional equipment ** Subject to environmental conditions and to the kind and power of charging station.

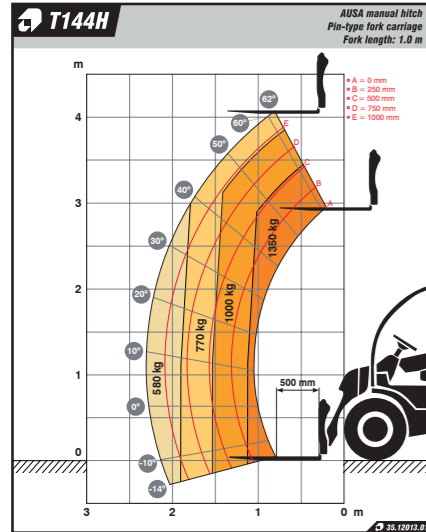
*** Subject to environmental conditions and the kind of use. For temperatures under 0°C it is recommended to fit the "Additional battery for longer range (+3.1 kWh)".

		T164H	T204H	T235H
		1600	2000	2300
		1600	1500	1800
		4000	4300	5000
		3400	3750	4300
		1740	2262	2350
		600	1.000	800
		3370	4200	4700
		Hydrostatic		
		KUBOTA V1505-E4B	KUBOTA D1803-CR-T-E5B	KUBOTA D1803-CR-T-E5B
		18,5	32,8	32,8
		-	-	-
		2300	2400	2400
		92,6@1700	150,5@1500	150,5@1500
		4	3	3
		Stage V, Tier4	Stage V, Tier4f	Stage V, Tier4f
		-	102	102
		20	20	20
		40	42	42
		3440	2877	2877
		4X4 FullGrip®	4x4	4x4
		10/75-15.3	10/75-15.3	10/75-15.3
		Two gears pump		
		29	51,8 / 17,28	51,8 / 17,28
		210	240	240
		55	65	65
		33	70	70
		Hydrostatic retention	Hydraulic, sealed discs	Hydraulic, sealed discs
		Negative brake and electro-hydraulic release	Mechanical, sealed discs	Mechanical, sealed discs
		-	-	-
		-	-	-
		-	-	-
		-	-	-
		-	-	-
		-	-	-

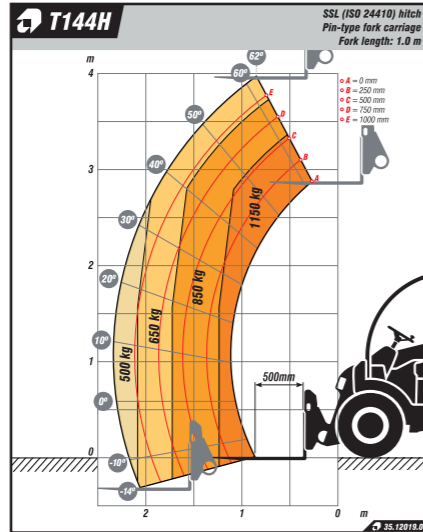
TECHNICAL DATA

DIMENSIONS

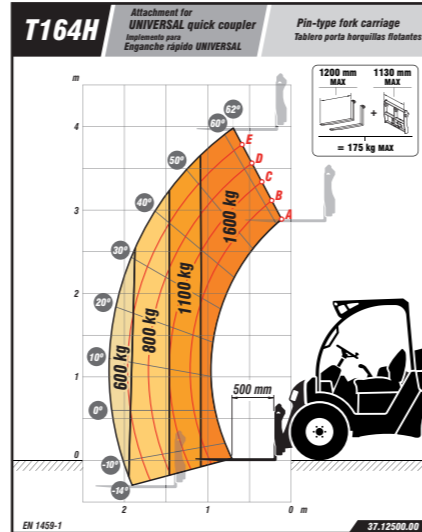
T144H AUSA carriage



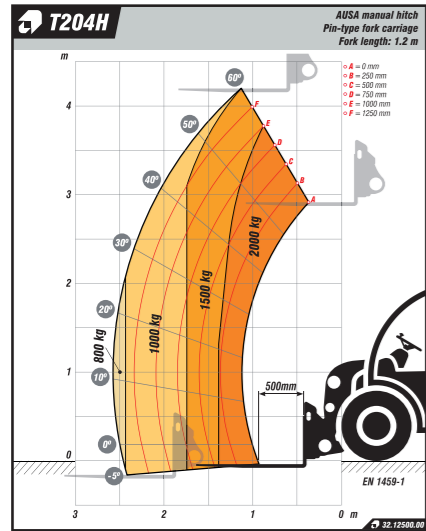
T144H Universal carriage



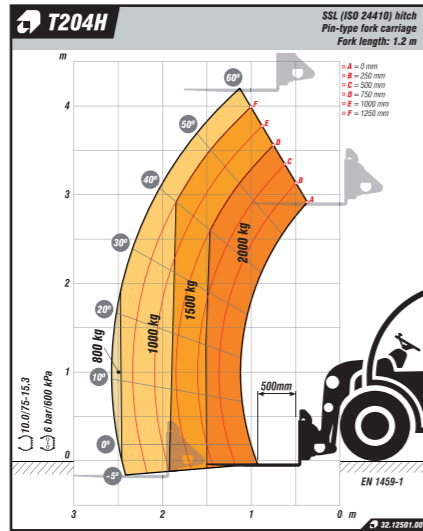
T164H Universal carriage



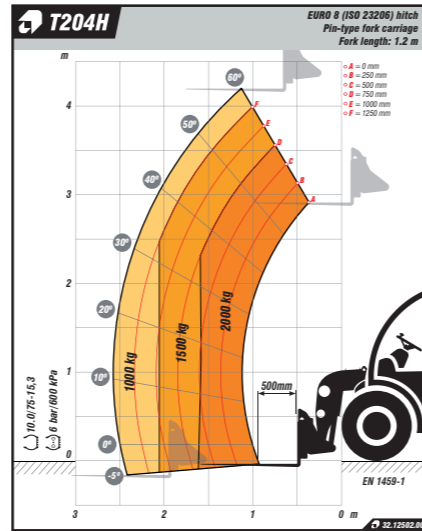
T204H AUSA carriage



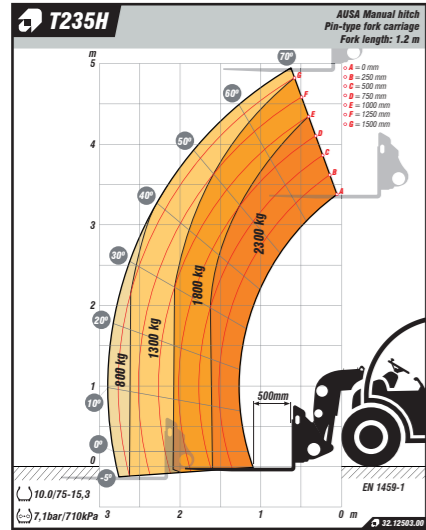
T204H Universal carriage



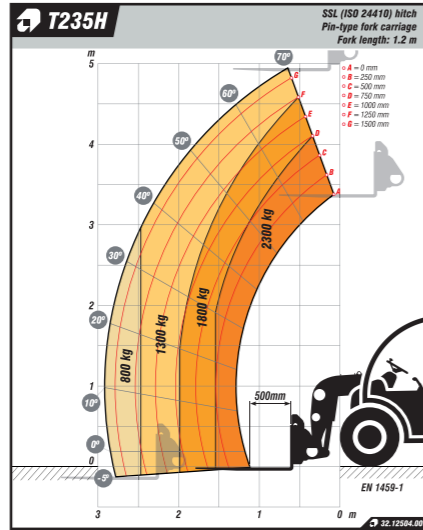
T204H Euro 8 carriage



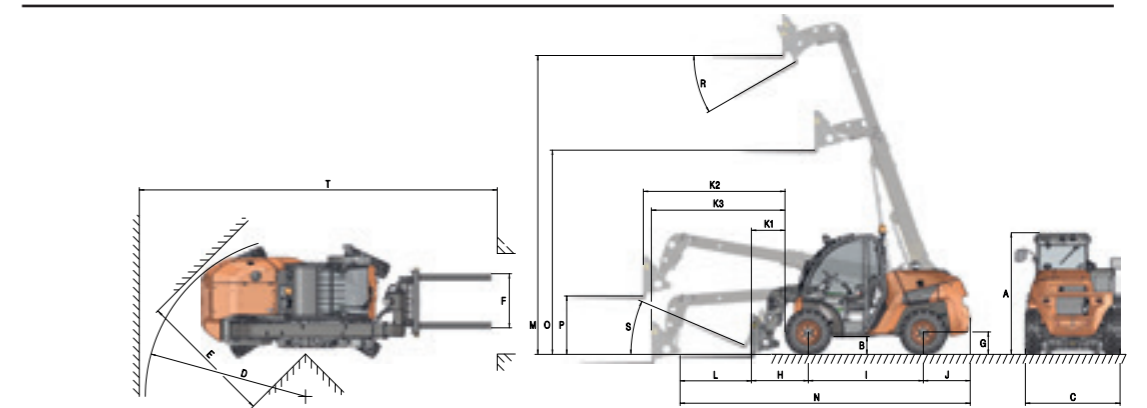
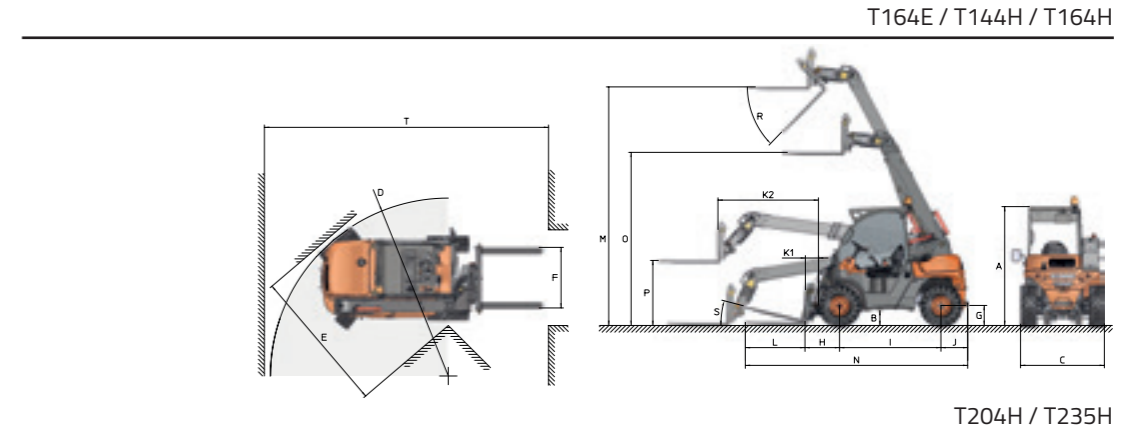
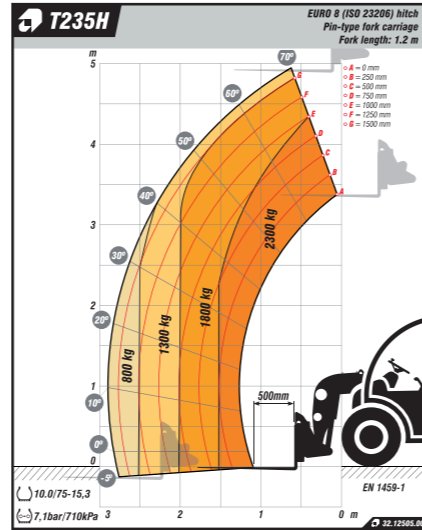
T235H AUSA carriage



T235H Universal carriage



T235H Euro 8 carriage



	T164E	T144H	T164H	T204H	T235H
DIMENSIONS (mm)					
A	2.030	2.000	2.030	2030	2030
B	280	252	280	300	300
C	1.480	1.405	1.480	1590	1590
D	3.400	2.982	3.400	3042	3042
E	2.560	2.481	2.560	2468	2260
F	1.015	1.015	1.015	905	905
G	365	335	365	375	375
H	675	580	675	820	960
I	1.750	1.700	1.750	1925	1925
J	655	450	655	790	790
K1	290	228	290	430	570
K2	1.740	1.682	1.740	2262	2350
K3	-	-	-	2105	2236
L	1.000	1.000	1.000	1200	1200
M	4.030	4.000	4.030	4300	4992
N	4.082	3.730	4.082	4730	4880
O	2.900	2.928	2.900	3000	3409
P	1.090	1.094	1.090	1068	932
T	5.140	4.730	5.140	5880	5880
DIMENSIONS (°)					
R	37	46	37	52	43
S	20	13	20	23	24

EQUIPMENT

	T164E	T144H	T164H	T204H	T235H
DRIVING POSITION					
Open ROPS/FOPS cab	●	●	●		
Semi-closed ROPS/FOPS cab with front, rear and upper windscreens	○	○	○	●	●
Closed ROPS/FOPS cab with heating	○	○	○	○	○
Closed ROPS/FOPS cab with heating and air conditioning				○	○
Tilting cab with assisted lift				●	●
COUPLERS					
AUSA mechanical coupler		●		●	●
Universal mechanical coupler	●		●		
Universal hydraulic quick coupler with 5th hydraulic line	○	○	○	○	○
EURO8 hydraulic quick coupler with 5th hydraulic line	○	○	○	○	○
SAFETY					
Seat belt with fasten sensor	●	●	●	●	●
Seat with operator's presence sensor	●	●	●	●	●
LED rotating beacon	●	●	●	●	●
Acoustic warning for reverse gear	●	●	●	●	●
Emergency stop	●	●	●	●	●
Hill Holder - hill-start assist	●				
Negative brake	●		●		
Load level indicator	●	●	●	●	●
Overload locking system with 60-second deactivation push-button	●	●	●	●	●
Joystick lock	○		○		
Windscreen protective grill	○	○	○	○	○
LIGHTING AND DRIVING					
Road lights			○	○	○
Road lights and second rear-view mirror	○	○			
Front (2) and rear (1) working lights	○	○	○		
Front working lights				●	●
Rear LED working light				○	○
Rear-view mirror	●	●	●	●	●
Second rear-view mirror	○		○		
Right-side panoramic rear-view mirror	○	○	○	●	●
COMFORT					
Adjustable ergonomic seat	●	●	●	●	●
All-in-one joystick	●	●	●	●	●
Inverted joystick functions	○	○	○	○	○
ADVANCED EQUIPMENT					
Electric transmission	●				
Hydrostatic transmission		●	●	●	●
Second-generation FullGrip® (4WD)	●		●		
Limited-slip differential on the front axle				●	●
Front-wheel, four-wheel and crab steering modes				●	●
Inching pedal	●	●	●	●	●
Digital display	●			●	●
Advanced support	●				
AUSAnow fleet manager	○	○	○	○	○
Additional battery for longer range (+3.1 kWh)	○				

	T164E	T144H	T164H	T204H	T235H
FORKS					
1,000 mm forks	●	●	●		
1,200 mm forks	○	○	○	●	●
1,050 mm fork carriage	●	●	●	●	●
1,200 mm load rest	○	○	○	○	○
Built-in FEM II side shifter with 1,200 mm load rest	○	○	○	○	○
IMPLEMENTS					
Two-hand control for locking and unlocking attachments	●	●	●	●	●
350-litre shovel		○			
420-litre shovel	○		○		
600-litre shovel				○	○
700-litre shovel				○	○
248-litre 4x1 multi-function shovel		○			
400-litre 4x1 multi-function shovel				○	○
ACCESSORIES					
4th auxiliary hydraulic line	●	●	●	●	●
5th auxiliary hydraulic line	○	○	○	○	○
Auxiliary hydraulic line with continuous flow	○	○	○	○	○
Reverse gear acoustic warning disable switch			○		
White noise acoustic warning for reverse gear	●				
Car radio	○	○	○	○	○
USB connector	○		○		
Waterproof document holder	●	●	●	○	○
Water separator diesel filter			○	●	●
Air filter with cyclone pre-filter		○		○	○
Biodegradable hydraulic oil	○	○	○	○	○
Towing ball	○	○	○		
Power socket for the trailer	○	○	○		
Towing ball with power socket				○	○
TYRES					
All-terrain SSL tyres 27x10-12"		○		○	
Turf tyres 10-16.5"			○		
Turf tyres 26x12.00-12"	○	○			
PARTS					
1,000 h maintenance kit	○	○	○	○	○
Spare wheel	○	○	○	○	○

● Standard ○ Optional

AUSA
C/ Castelladral 1
08243 Manresa - Barcelona
SPAIN
Tel. +34 93 874 7311
ausa@ausa.com
www.ausa.com

AUSA Spain: +34 91 669 00 06 ausa.madrid@ausa.com
AUSA France: +33 (0) 4 68 54 38 97 - ausa.france@ausa.fr
AUSA U.K.: +44 (0)7703 60 9009 - ausa.uk@ausa.com
AUSA Central Europe: +49 2384 9415725 - kontakt@ausa.com
AUSA U.S.: +1 (310) 426 2305 - ausa.us@ausa.com
AUSA CHINA: +86 10 8598 7386 - ausa.china@ausa.com

MKCAT.TH.EU.EN02

Distributor's stamp



www.ausa.com