



Forklift Range

Compact, powerful and versatile

AUSA EUROPEAN MANUFACTURER

Robustness, safety and versatility

AUSA all-terrain forklifts are technologically advanced, safe and easy to maintain. Thanks to their compact size and large capacity on any surface, they provide unbeatable manoeuvrability on the toughest and steepest terrains, providing outstanding performance when moving goods.

Equipped with state-of-the-art engines, they offer professionals a product that achieves an unequalled balance between engine power and load capacity, with low fuel consumption, making the product outstanding value for money.

In addition, the new range of forklifts has been completely redesigned to offer the user the best quality, safety and efficiency. Technologically advanced, they now set the standard for the all-terrain forklift market.



1. Headquarters 2. Assembly plant 3. Test, demonstration and training area 4. Warehouse for completed machines

FORKLIFT RANGE



C 150 H x2/x4
1500 kg

Pages 04 - 05



C 201 H x2/x4
2000 kg

Pages 06-07



C 251 H x4
2500 kg

AUSA SERVICES

Our priority is the customer, which is why we provide a full range of solutions and services that undoubtedly contribute to improving your collaboration with AUSA.



FINANCING



TECHNICAL SUPPORT



MAINTENANCE



SPARE PARTS



TRAINING



WEBSITE FOR CUSTOMERS

A DISTRIBUTION NETWORK AT YOUR SERVICE

AUSA has a wide range of official distributors all over the world. Go to our website to find the one closest to you.

<https://www.ausa.com/>



C 351H x4
3500 kg

Pages 06-07



C 401 H x4
4000 kg

Pages 08-09



C 501 H x4
5000 kg

C 150 H

All-terrain forklift 1.500 kg

Capable of lifting a maximum load of 1,500 kg, it is the all-terrain forklift with the most compact design and the lowest maintenance costs of its class. Especially suitable for handling loads in spaces with a limited height and an uneven terrain, it is available with two types of 2-speed hydrostatic transmission: 4x2 and the exclusive COMPEN® SYSTEM permanent 4x4 traction designed by AUSA. Its high-quality components provide the best return on investment.



C 150 H C 150 Hx4



Characteristics				
C 150 H	1500	18,5	1300	H-4x2
C 150 Hx4	1500	18,5	1300	H-4x4

Advantages

- Compact: 1,300 mm machine width.
- All-terrain: Front wheel with a large diameter and a chassis with high ground clearance (210 mm on the C 150 H and 240 mm on the C 150 Hx4), providing exceptional performance.
- Wide range of masts: maximum lifting height of up to 4,000 mm.

C 201 H

All-terrain forklift 2.000 kg

The C201H is a 2000 kg capacity all-terrain forklift with a totally urban approach. Thanks to its height of only 2.09m, it is ideal for entering and leaving parking lots and closed areas with low doors. In addition, it has great maneuverability that allows it to move agilely in any space. Furthermore, its innovative design allows full accessibility to all mechanical and maintenance components.



C 201 H C 201 Hx4



Characteristics				
C 201 H	2000	18,5	1520	H-4x2
C 201 Hx4	2000	18,5	1520	H-4x4

Advantages

- At just 2.09 meters high, it is capable of entering low-rise parking lots and closed areas.
- The optimization of the hydrostatic assembly allows you to climb slopes of up to 40% at full load.
- Wide range of masts: maximum lifting height of up to 5,400 mm.

C 251 - 351 H

All-terrain forklift 2.500 - 3.500 kg

The new concept of AUSA forklifts combines design and technology to offer the best features and service: such as a digital screen with self-diagnosis system and follow up of all the parameters from your smartphone, or a new fuel saving system and reduction of CO2 emissions, or even a redesigned cabin and its interior to offer a better comfort to the user.



C 251 Hx4



Characteristics				
C 251 Hx4	2500	36,5	1520	H-4x4

Advantages

- Technologically advanced, it includes self-diagnosis and the option of integrating fleet control systems.
- Its compact size and small turning radius allow it to be manoeuvred in narrower spaces.
- Various masts available: maximum lift of up to 5,400 mm.

C 351 H x4



Characteristics				
C 351 Hx4	3500	36,5	1780	H-4x4

Advantages

- Payload of 3,500 kg and a maximum lift height of up to 5,400 mm.
- Technologically advanced, it includes self-diagnosis and the option of integrating fleet control systems.
- Large number of accessories, forks and masts available.

C 401 - 501 H

All-terrain forklift 4,000 - 5,000 kg

The new C401H and C501H forklift have a payload of 4,000 and 5,000 kg, making them ideal for handling large loads on uneven terrain. In line with the rest of the range, they have been redesigned combining design and technology to offer the best features and service: from a digital screen with a self-diagnostics system, being able to monitor all of the parameters on your phone and innovative fuel saving and CO2 emission reduction systems, to a redesign of the cab and its interior for greater comfort.



• **360° visibility** thanks to a redesigned cab that is more spacious, with greater comfort and a 30% increase in visibility.

• **Tilting cab** for easy access to components and to reduce downtime.

• **Full control joystick** with reverse drive, hydraulic functions and self-diagnostics.

• **Slow inching pedal** to ensure simple and safe driving, facilitating approach and load-handling operations.

• **Steering wheel** with adjustable height and reach, for greater comfort and safety in the cab.

• **Digital screen** with real-time information from all of the sensors and integrated self-diagnostics.

C 401 H x4



Characteristics				
C 401 Hx4	4000	55	2010	H-4x4

Advantages

- Excellent all-terrain capability thanks to the large diameter front wheel and the second generation FullGrip® system.
- Technologically advanced, it includes self-diagnosis and the option of integrating fleet control systems.
- Large number of accessories, forks and masts available.

C 501 H x4



Characteristics				
C 501 Hx4	5000	55	2010	H-4x4

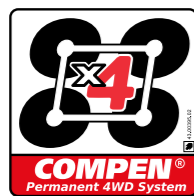
Advantages

- Excellent all-terrain capability thanks to the large diameter front wheel and the second generation FullGrip® system.
- Payload of 5,000 kg and a maximum lift height of up to 5,450 mm.
- Technologically advanced, it includes self-diagnosis and the option of integrating fleet control systems.

TECHNICAL DATA

		C 150 H	C 150 Hx4	C 201 H	C 201 Hx4
GENERAL		UNIT			
Load capacity to 500 mm	kg	1500		2000	
Load capacity to 600 mm	kg	1350		1835	
Unladen weight	kg	2700		3635	
Transmission	-	Hydrostatic		Hydrostatic	
MAST					
Fork carriage	-	FEM 2		FEM 2	
Carriage width	mm	1260		1260/1660	
ENGINE					
Make	-	KUBOTA		KUBOTA	
Model	-	V1505-E4B		D 1703	
Power	kW	18,5		18,5	
Operating speed	rpm	2300		2200	
Torque	N·m@rpm	92,6@1700		97,4@1500	
No. cylinders	-	4		3	
Emissions	-	Stage V, EPA Tier 4		Stage V, EPA Tier 4	
Noise	dB(A)	101		103	
DRIVING					
Max. speed	km/h	20		17	
Gradability	%	25		25	40
Traction	-	4x2	4x4 Compen®	4x2	4x4 FullGrip®
Front tyres	-	10.0/75-15.3		12-16,5	
Rear tyres	-	6.00-9	23x8.5-12	7.00-12	27x8.5-15
HYDRAULIC SYSTEM					
Hydraulic circuit	-	Two gears pump		Two gears pump	
Flow rate	l/min	22		37	
Working pressure	bar	200		185	
TANK CAPACITY					
Fuel	l	45		62	
Hydraulic	l	40		51	
BRAKES					
Service	-	Hydraulic, multi-disc and sealed		Hydraulic, multi-disc and sealed	
Parking	-	Mechanical, multi-disc and sealed		Spring-loaded, multi-disc and sealed	

AUSA EXCLUSIVE ALL-WHEEL TRACTION SYSTEMS



AUSA Compen® System is a permanent all-wheel traction system which automatically balances the torque between the differential axles.

4X4 COMPEN®



AUSA FullGrip® System is a multi-disc all-wheel traction system, which can be connected electro-hydraulically using the joystick control on the driver's console.

4X4 FULL GRIP®

	C 251 Hx4	C 351 Hx4	C 401 Hx4	C 501 Hx4
	2500	3500	4000	-
	2275	3230	3700	5000
	4255	5430	6935	7670
	Hydrostatic	Hydrostatic	Hydrostatic	Hydrostatic
	FEM 2	FEM 3	FEM 3	FEM 4
	1260/1660	1260/1660	1660	1660
	KUBOTA	KUBOTA	DEUTZ	DEUTZ
	V2403-M	V2403-M E3B	TD3.6	TD3.6
	36,5	36,5	55	55
	2600	2600	1800	1800
	158,6@1600	158,6@1600	340@1600	340@1600
	4	4	4	4
	Stage IIIA	Stage IIIA	EPA Tier 4f DOC	EPA Tier 4f DOC
	104	104	104	104
	22	20	20	20
	38	35	35	35
	4x4 FullGrip®	4x4 FullGrip®	4x4 FullGrip®	4x4 FullGrip®
	12.5/80-18	16/70-20	18-19.5	18-19.5
	10.0/75-15.3	12-16.5	12-16.5	12-16.5
	Two gears pump	Two gears pump	Two gears pump	Two gears pump
	50	50	59	59
	210	200	235	235
	62	62	117	117
	51	51	114	114
	Hydraulic, multi-disc and sealed			
	Spring-loaded, multi-disc and sealed			



TILTING CAB

The tilting cab installed on AUSA forklift models allows the user to easily access the vehicle's electrical, mechanical and hydraulic components to enable adequate maintenance. This speeds up the work and significantly reduces the machine's downtime.

DIMENSIONS

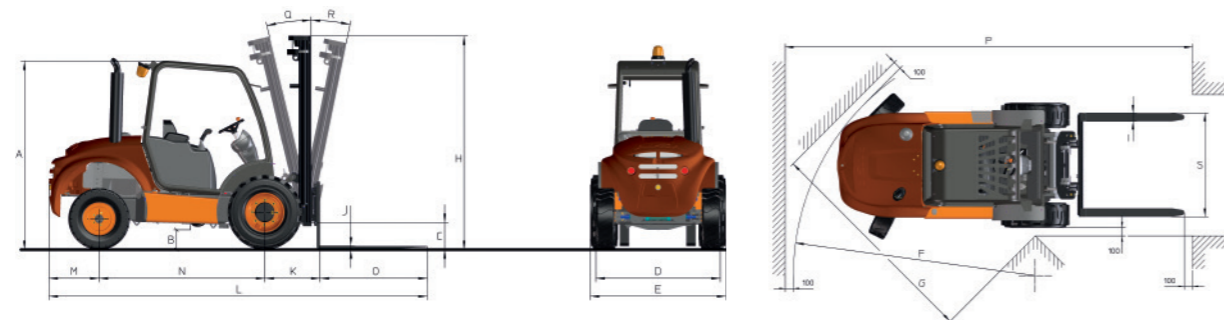
TYPE OF MAST	Maximum lift (mm)	C 150 H					C 201 H					
		C 150 Hx4	C 201 Hx4	C 251 Hx4	C 351 Hx4	C 401 Hx4	C 501 Hx4	C 150 Hx4	C 201 Hx4	C 251 Hx4	C 351 Hx4	C 401 Hx4
Duplex mast	2660	2040	-	-	-	-	3290	-	-	-	-	-
Duplex mast	3300	-	2410	2460	2670	-	-	4170	4220	4570	-	-
Duplex mast	3700	-	-	-	-	2770	2770	-	-	-	4600	4600
Triplex mast	3700	-	2070	2120	2130	-	-	4620	4670	4970	-	-
Triplex mast	4000	1980	-	-	-	-	4670	-	-	-	-	-
Triplex mast	4250	-	-	-	-	2370	2370	-	-	-	5280	5280
Triplex mast	4300	-	2230	2300	-	-	-	5250	5300	-	-	-
Triplex mast	5400	-	2610	2690	2700	-	-	6620	6370	6670	-	-
Triplex mast	5450	-	-	-	-	2770	2770	-	-	-	6480	6480

Standard masts in bold

FREE LIFT (mm)	LOAD AT MAXIMUM HEIGHT (kg) ALL-TERRAIN USE														
	C 150 Hx4	C 201 Hx4	C 251 Hx4	C 351 Hx4	C 401 Hx4	C 501 Hx4	C 150 Hx4	C 201 Hx4 Narrow axle	C 201 Hx4 Wide axle	C 251 Hx4 Narrow axle	C 251 Hx4 Wide axle	C 351 Hx4 Narrow axle	C 351 Hx4 Wide axle	C 401 Hx4	C 501 Hx4
0	-	-	-	-	-	-	1500	-	-	-	-	-	-	-	-
-	120	120	120	-	-	-	-	2000	-	2500	-	3500	-	-	-
-	-	-	-	100	100	-	-	-	-	-	-	-	-	4000	5000
-	1130	1130	1200	-	-	-	2000	-	1740	-	3500	-	-	-	-
1360	-	-	-	-	-	-	1200	-	-	-	-	-	-	-	-
-	-	-	-	1390	1390	-	-	-	-	-	-	-	-	-	4250
-	1330	1330	-	-	-	-	-	2000	-	2155	-	-	-	-	-
-	1680	1680	1680	-	-	-	-	1250	-	1500	-	1400	-	-	-
-	-	-	-	1790	1790	-	-	-	-	-	-	-	-	-	2500

Machines with wide axles for high-lift masts

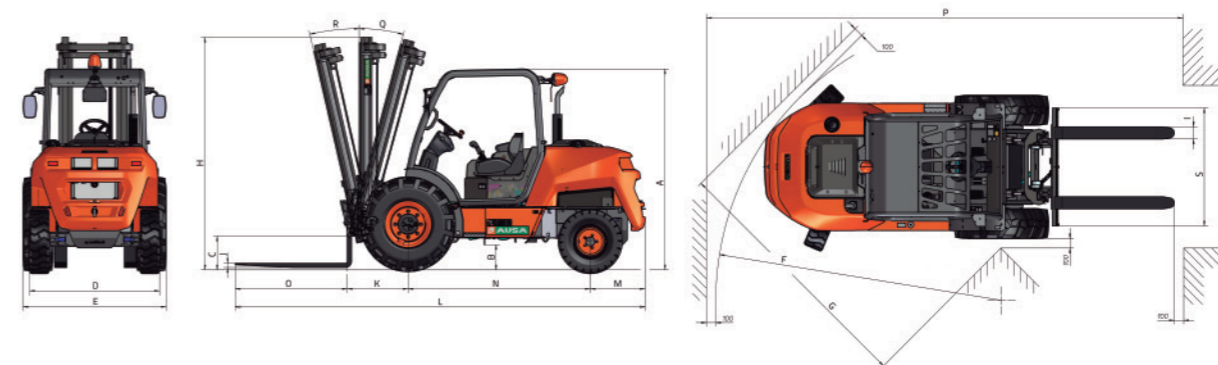
C 150 H



	C 150 H	C 150 H x4	C 201 H	C 201 H x4
DIMENSIONS (mm)				
A	2000	2040	2090	2090
B	210	240	210	210
C	215	205	310	310
D	1227	1247	1390	1490
E	1300	1300	1520	1520
E*	1300	1300	1780	1780
F	2570	4000	3020	4020
G	2420	2500	2780	2850
I	100	100	100	100
J	35	35	40	40
K	510	510	650	650
L	3630	3630	4380	4380
M	425	390	580	580
N	1710	1740	1950	1950
O	1000	1000	1200	1200
P	4280	5710	5070	6180
S	1260	1260	1260	1260
S**	1260	1260	1600	1600
DIMENSIONS (°)				
Q	11	11	11	11
R	12	12	12	12

* Measured with high-lift mast installed ** Measured for wide axle carriage

C 201 - 251 - 351 - 401 - 501 H



	C 251 H x4	C 351 H x4	C 401 H x4	C 501 H x4
A	2150	2190	2350	2350
B	275	320	280	280
C	334	375	290	290
D	1547	1645	1760	1760
E	1520	1780	2010	2010
F	1780	2050	2010	2010
G	4120	4350	4410	4410
H	2891	3090	3210	3210
I	130	120	120	120
J	45	50	50	50
K	650	710	720	720
L	4385	4540	4610	4610
M	585	615	640	640
N	1950	2020	2050	2050
O	1200	1200	1200	1200
P	6400	6645	6430	6430
S	1260	1310	1660	1660
S**	1600	1710	1660	1660
Q	11	11	11	11
R	12	12	12	12

EQUIPMENT

	C 150 H C 150 H x4	C 201 H C 201 H x4	C 251 H C 251 H x4	C 351 H x4	C 401 H x4	C 501 H x4
DRIVING POSITION						
Open FOPS cab	●	●	●	●	●	●
Semi-closed FOPS cab with front, rear and upper windscreens	○	○	○	○	○	○
Closed FOPS cab with heating	○	○	○	○	○	○
Closed FOPS cab with heating and air conditioning			○	○	○	○
Open ROPS/FOPS cab				○		
Semi-closed ROPS/FOPS cab with front, rear and upper windscreens				○		
Closed ROPS/FOPS cab with heating				○		
Closed ROPS/FOPS cab with heating and air conditioning				○		
Tilting cab with assisted lift	●	●	●	●	●	●
MASTS						
2.66 m duplex mast	●					
3.30 m duplex mast		●	●	●		
3.70 m duplex mast					●	●
3.70 m triplex mast		○	○	○		
4.00 m triplex mast	○					
4.25 m triplex mast					○	○
4.30 m triplex mast with wide shaft		○	○			
5.40 m triplex mast with wide shaft		○	○	○		
5.45 m triplex mast					○	○
SAFETY						
Seat belt with fasten sensor	●	●	●	●	●	●
Seat with operator's presence sensor		●	●	●	●	●
Rotating beacon	●	●	●	●	●	●
Acoustic warning for reverse gear	●	●	●	●	●	●
Emergency stop	○	●	●	●	●	●
Hill Holder - hill-start assist			●	●	●	●
Joystick lock					○	○
Exhaust spark arrestor	○					
LIGHTING AND DRIVING						
Road lights	○					
Road lights with LED daylight		○	○	○	○	○
Front and rear working lights	○					
Front and rear LED working lights		○	○	○	○	○
Rear-view mirrors	●	●	●	●	●	●
Fast reverse speed	○					
COMFORT						
Adjustable ergonomic seat	●	●	●	●	●	●
Highly comfortable seat, fully adjustable	○	○	○	○	○	○
Steering wheel with adjustable tilt and reach		●	●	●	●	●
All-in-one joystick	●	●	●	●	●	●
Armrest	●	●	●	●	●	●
ADVANCED EQUIPMENT						
Hydrostatic transmission	●	●	●	●	●	●
Second-generation FullGrip® (4x4)			●	●	●	●
Limited-slip differential on the front axle		●	●	●	●	●
Inching pedal	●	●	●	●	●	●

	C 150 H C 150 H x4	C 201 H C 201 H x4	C 251 H C 251 H x4	C 351 H x4	C 401 H x4	C 501 H x4
ADVANCED EQUIPMENT						
ECO Mode system			●	●	●	●
Digital display		●	●	●	●	●
AUSAnow fleet manager	○	○	○	○	○	○
FORKS						
1,000 mm forks	●					
1,200 mm forks	○	●	●	●	●	●
1,260 mm type FEM II fork carriage	●	●	●			
1,260 mm type FEM III fork carriage				●		
1,660 mm type FEM IV fork carriage						●
1,200 mm load rest	○					
1,260 mm load rest		○	○	○		
1,660 mm load rest		○	○	○	○	○
Built-in side shifter	●	●	●	●	●	●
IMPLEMENTS						
400-litre shovel			○			
420-litre shovel	○					
600-litre shovel			○			
800-litre shovel				○		
1,000-litre shovel				○		
ACCESSORIES						
4th valve for two-way action control	○	○	○	○	○	○
Load damper	○	○	○	○		
Reverse gear acoustic warning disable switch	○	○	○	○	○	○
Car radio		○	○	○	○	○
Waterproof document holder	○	○	○	○	○	○
Water separator diesel filter	○	○	○	○	●	●
Air filter with cyclone pre-filter	○	○	○	○	○	○
Biodegradable hydraulic oil	○					
TYRES						
520/50R17 front and 31x15.5-15 rear flotation tyres			○			
PARTS						
Standard front and rear spare wheels	○		○	○	○	○
1,000 h maintenance kit	○	○	○	○	○	○

● Standard ○ Optional



ADJUSTABLE STEERING WHEEL



DIGITAL DISPLAY



COMFORTABLE SEAT



MKCAT.FK.ROW.EN02

AUSA
C/ Castelladral 1
08243 Manresa - Barcelona
SPAIN
Tel. +34 93 874 7311
ausa@ausa.com
www.ausa.com

AUSA Spain: +34 91 669 00 06 ausa.madrid@ausa.com
AUSA France: +33 (0) 4 68 54 38 97 - ausa.france@ausa.fr
AUSA U.K.: +44 (0)7703 60 9009 - ausa.uk@ausa.com
AUSA Central Europe: +49 2384 9415725 - kontakt@ausa.com
AUSA U.S.: +1 (310) 426 2305 - ausa.us@ausa.com
AUSA CHINA: +86 10 8598 7386 - ausa.china@ausa.com



Distributor's stamp

www.ausa.com