

ARTICULATED DUMPER

From 1.000 to 10.000 kg payload. Tough, compact and efficient





1000, 1200, 1500 kg

4

D100AHA | D100AHG
 D120AHA | D120AHG
 D150AHA | D150AHG



2000, 3000, 3500 kg

8

D201AHG
 D301AHG
 D350AHG



6000, 10000 kg

12

D601AHG | D601APG
 D1001APG



6000, 10000 kg - REVERSIBLES

16

DR601AHG
 DR1001AHG

AUSAnow

20

Technical data

22

Dimensions

28

Equipment

30

ARTICULATED DUMPER

1000 - 1200 - 1500 KG

AUSA's most compact range of dumpers, available with three different payloads and they can be configured with a high-tipping skip or a swing skip.

These models are perfect for municipal works, landscaping projects or small demolitions, situations that require highly manoeuvrable vehicles that are extremely compact in size.

Thanks to their permanent 4WD, they can handle narrow terrain and steep slopes.



FEATURED EQUIPMENT

Folding ROPS for ease of transportation. **Spacious driver's position** for comfortable and safe handling. **Rotating beacon** that makes it more visible for people outside the vehicle. **Hydrostatic transmission** to ensure smooth and safe operation for the user. **Easy-to-access components** to reduce downtime for maintenance. **Ergonomic joystick** that controls the movements of the skip and the transmission. **Axles with final epicyclic gearing** that provides improved traction.



D100AHA 1000KG
UNLOADING SYSTEM HIGH
POWER 15.6KW WIDTH 1,100MM TRANSMISSION HYDROSTATIC



D100AHA COMPACT 1000KG
UNLOADING SYSTEM HIGH
POWER 15.6KW WIDTH 1,000MM TRANSMISSION HYDROSTATIC



D100AHG 1000KG
UNLOADING SYSTEM ROTATING
POWER 15.6KW WIDTH 1,100MM TRANSMISSION HYDROSTATIC



D120AHA 1200KG
UNLOADING SYSTEM HIGH
POWER 15.6KW WIDTH 1,210MM TRANSMISSION HYDROSTATIC



D120AHG 1200KG
UNLOADING SYSTEM ROTATING
POWER 15.6KW WIDTH 1,210MM TRANSMISSION HYDROSTATIC



D150AHA 1500KG
UNLOADING SYSTEM HIGH
POWER 15.6KW WIDTH 1,480MM TRANSMISSION HYDROSTATIC



D150AHG 1.500KG
UNLOADING SYSTEM ROTATING
POWER 15.6KW WIDTH 1,480MM TRANSMISSION HYDROSTATIC



ARTICULATED DUMPER

2000 - 3000 - 3500 KG

Dumpers designed for major earthworks in urban and intercity settings or in private projects. They have a very good power-to-weight ratio, making them manoeuvrable and allowing them to easily cope with steep slopes.

All components have been designed to ensure quick and simple maintenance with minimal downtime.



FEATURED EQUIPMENT

Folding ROPS for ease of transportation. **Spacious driver's position** for comfortable and safe handling. **Hydrostatic transmission** to ensure smooth and safe operation for the user. **Easy-to-access components** to reduce downtime for maintenance. **Ergonomic joystick** that controls the movements of the skip and the transmission. **Seat belt with a buckle sensor and seat with presence sensor** to prevent the machine from being used without following the minimum safety procedures. **Negative brake** which is automatically engaged when the engine is turned off.



D201AHG 2000KG
UNLOADING SYSTEM ROTATING
POWER 18.5KW WIDTH 1,500MM TRANSMISSION HYDROSTATIC



D301AHG 3000KG
UNLOADING SYSTEM ROTATING
POWER 18.5KW WIDTH 1,750MM TRANSMISSION HYDROSTATIC



D350AHG 3500KG
UNLOADING SYSTEM ROTATING
POWER 36.5KW WIDTH 1,850MM TRANSMISSION HYDROSTATIC

ARTICULATED DUMPER

6000 - 10000 KG

Our range of dumpers with the highest payload is designed for large-scale earthworks, especially on intercity construction sites and in open spaces. These are powerful and robust models that are equipped with the latest technology to minimise fuel consumption.

They also have a digital display in the driver's cab which provides all of the machine's real-time information, allowing you to run self-diagnostics without the need for any external tools.



FEATURED EQUIPMENT

Digital screen with all of the information about the machine and self-diagnostics. **Smart Stop** (optional), which switches off the machine's engine when it is not in use, to make it more cost-effective. **Easy-to-access internal components** to reduce costs and facilitate maintenance. **The limited-slip differential** on both axles offers the best off-road drive available on the market. **Seat belt with a buckle sensor and seat with presence sensor** to prevent the machine from being used without following the minimum safety procedures. **Negative brake** which is automatically engaged when the engine is turned off. **Camera with all-round vision** on the skip.



D601AHG 6000KG
UNLOADING SYSTEM ROTATING
POWER 55.4KW WIDTH 2,210MM TRANSMISSION HYDROSTATIC



D601APG 6000KG
UNLOADING SYSTEM ROTATING
POWER 55.4KW WIDTH 2,210MM TRANSMISSION TORQUE CONVERTER



D1001APG 10000KG
UNLOADING SYSTEM ROTATING
POWER 55.4KW WIDTH 2,410MM TRANSMISSION TORQUE CONVERTER



REVERSIBLE DUMPER

6000 - 10000 KG

The reversible design allows the entire driver's cab to turn 180°: seat, steering wheel, pedals, joystick...giving the operator a clear view of their surroundings at all times. This system also allows you to always use front-wheel drive, thus reducing the number of manoeuvres and increasing load-moving speed.

AUSA's reversible dumpers are equipped with the latest technology to reduce fuel consumption and improve the safety of the operator and area around them.



FEATURED EQUIPMENT

Access to the driving position on both sides of the machine. **ECO Mode** to automatically regulate the RPM to ensure low consumption and reduced maintenance costs. **Digital screen** with all of the information about the machine and self-diagnostics. **Hill holder**, which keeps the machine stationary on any slope, without putting your foot on the brake. **The limited-slip differential** on both axles offers the best off-road drive available on the market. **Smart Stop**, which switches off the machine's engine when it is not in use, to make it more cost-effective. **Negative brake** which is automatically engaged when the engine is turned off. **Camera with all-round vision** on the skip.



DR601AHG 6000KG
UNLOADING SYSTEM ROTATING
POWER 55.4KW WIDTH 2,210MM TRANSMISSION HYDROSTATIC



DR1001AHG 10000KG
UNLOADING SYSTEM ROTATING
POWER 55.4KW WIDTH 2,410MM TRANSMISSION HYDROSTATIC

All AUSA dumpers can be equipped with AUSAnow, the software used to remotely control machines, providing you with all real-time information.



Control your fleet of machines

From your office or with your mobile phone. Control all of your AUSA machines in real time. With AUSAnow you can anticipate any faults and maintenance, to reduce downtime.



Get information and make decisions

View or create your own personalised charts to obtain in-depth information about the operation of your machines and make decisions that are based on analytical information.



Connect security alarms

Establish a schedule and security perimeter. If one of your machines is moved outside the established area, AUSAnow will alert you straight away so that you can deal with it.



Data, data and more data

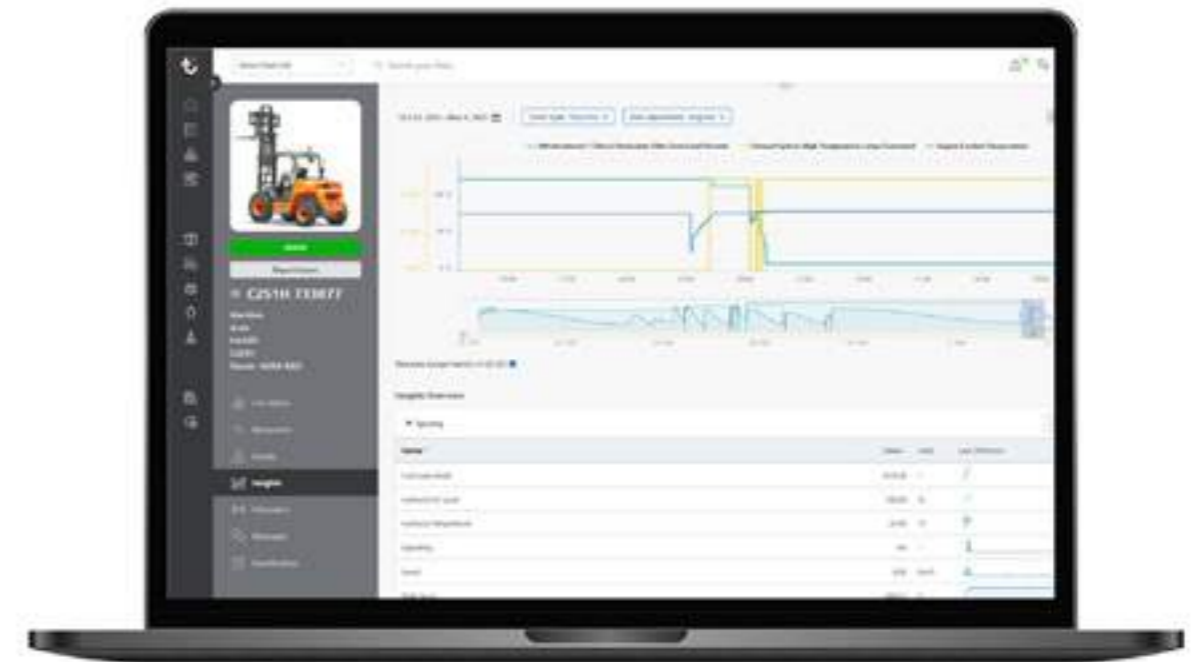
AUSAnow allows you to obtain advanced real-time information about your machine fleet. View advanced charts for customised time periods based on the parameters set by you.



Reduce downtime

AUSAnow connects you to your dealer or rental company, so that any appropriate maintenance can be performed. If you have a problem, AUSAnow provides you with a direct channel of communication with your machine supplier, so that it can be resolved as quickly as possible.

- Preventive alerts
- Attach images



Alarms for your peace of mind

Activate AUSA's recommended maintenance alerts and keep your machines in tip-top condition. And, for your security, you can program geofences and receive alerts if they go outside the established boundaries.

- Customise a schedule
- Set a perimeter

TECHNICAL DATA

TECHNICAL DATA

D100AHA / COMPACT

D100AHG

GENERAL	UNIT		
Unloading system	-	High	Rotating
Load capacity	kg	1000	1000
Chassis	-	Articulated	
Water hopper capacity	l	345	325
Level hopper capacity	l	395	390
Heaped hopper capacity	l	565	545
Empty weight *	kg	1300	1300
Transmission	-	Hydrostatic	
Reversibility	-	No	
ENGINE			
Brand / Model	-	KUBOTA D1105-E4B	
Power	kW	15,6	
Peak/Nominal power	kW	-	
Operating speed	rpm	2400	
Peak torque	N.m	71,4@1600	
No. of cylinders	-	3	
Emissions	-	Stage V, Tier 4	
Noise	dB(A)	101	
DRIVING			
Max. speed	km/h	15	15
Maximum gradient	%	38	38
External turning radius	mm	3060	3035
Traction	-	4x4	
Tyres	-	27x8.5-15 / 6.5/80-12	27x8.5-15
HYDRAULIC SYSTEM			
Hydraulic circuit	-	8cc. Gear pump	
Flow rate	l/min	17,28	
Working pressure	bar	180	
TANK CAPACITY			
Fuel	l	23	23
Hydraulic system	l	21,2	21,2
BRAKES			
Service	-	Sealed. Mechanical drive	
Parking	-	Mechanical drive	

* It may change due to optional equipment.

D120AHA

D120AHG

	High		Rotating
	1200		1200
		Articulated	
	425		415
	515		495
	700		695
	1375		1375
		Hydrostatic	
		No	
ENGINE			
		KUBOTA D1105-E4B	
		15,6	
		-	
		2400	
		71,4@1600	
		3	
		Stage V, Tier 4	
		101	
DRIVING			
		17	17
		48	48
		3125	3095
		4x4	4x4
		10.0/75-15.3	10.0/75-15.3
HYDRAULIC SYSTEM			
		8cc. Gear pump	
		17,28	
		180	
TANK CAPACITY			
		23	23
		21,2	21,2
BRAKES			
		Sealed. Mechanical drive	
		Mechanical drive	

TECHNICAL DATA

TECHNICAL DATA

		D150AHA	D150AHG
GENERAL			
	UNIT		
Unloading system	-	High	Rotating
Load capacity	kg	1500	1500
Chassis	-	Articulated	
Water hopper capacity	l	605	520
Level hopper capacity	l	681	626
Heaped hopper capacity	l	841	900
Empty weight	kg	1510	1510
Transmission	-	Hydrostatic	
Reversibility	-	No	
ENGINE			
Brand / Model	-	KUBOTA D1105-E4B	
Power	kW	15,6	
Operating speed	rpm	2400	
Torque	N·m	71,4@1600	
No. of cylinders	-	3	
Emissions	-	Stage V, Tier 4	
Injection	-	Mechanical pump	
Exhaust aftertreatment	-	-	
Noise	dB(A)	101	
DRIVING			
Max. speed	km/h	14	14
Maximum gradient	%	40	40
External turning radius	mm	3260	3260
Traction	-	4x4	4x4
Tyres	-	10.0/75-15.3	10.0/75-15.3
HYDRAULIC SYSTEM			
Hydraulic circuit	-	8cc. Gear pump	
Flow rate	l/min	17,28	17,28
Working pressure	bar	180	180
TANK CAPACITY			
Fuel	l	23	23
Hydraulic system	l	21,2	21,2
BRAKES			
Service	-	Sealed. Mechanical drive	
Parking	-	Mechanical drive	

	D201AHG	D301AHG	D350AHG
GENERAL			
		Rotating	
	2000	3000	3500
		Articulated	
	695	984	1020
	1084	1320	1790
	1337	1742	2130
	2083	2300	2831
		Hydrostatic	
		No	
ENGINE			
		KUBOTA D1803-CR-T-E5B	KUBOTA V2403M-E3B
		32,8	36,5
		2400	2700
		150,5@1500	160@1600
		3	4
		Stage V, Tier 4f	Stage IIIA, Tier 4i
		Mechanical pump	Mechanical pump
		-	-
		101	101
DRIVING			
	17	17	19
	50	50	54
	3955	3955	4515
	4x4	4x4	4x4
	10.0/75-15,3"	11.5/80-15.3	11.5/80-15.3
HYDRAULIC SYSTEM			
		12cc. Gear pump	
	25	25	26,6
	175	175	170
TANK CAPACITY			
	37,5	37,5	44
	37,4	37,4	40
BRAKES			
	Hydrostatic, retention	Sealed. Hydraulic drive	
	Negative, integrated in the transfer box	Negative brake and electro-hydraulic release	

TECHNICAL DATA

TECHNICAL DATA

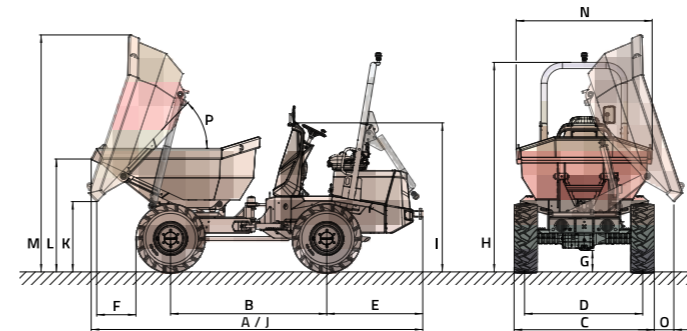
		D601AHG	D601APG
GENERAL			
	UNIT		
Unloading system	-		Rotating
Load capacity	kg	6000	6000
Chassis	-		Articulated
Water hopper capacity	l	1665	1665
Level hopper capacity	l	2455	2455
Heaped hopper capacity	l	3154	3154
Empty weight	kg	4465	4465
Transmission	-	Hydrostatic	Torque converter
Reversibility	-		No
ENGINE			
Brand / Model	-	DEUTZ TD3.6 L4	
Power	kW	55,4	
Operating speed	rpm	2200	
Torque	N·m	330@1600	
No. of cylinders	-	4	
Emissions	-	Stage IIIB - Tier 4f	
Injection	-	Common Rail	
Exhaust aftertreatment	-	DOC (Diesel oxidation catalyst)	
Noise	dB(A)	101	
DRIVING			
Max. speed	km/h	25	25
Maximum gradient	%	45	45
External turning radius	mm	5900	5900
Traction	-	4x4	4x4
Tyres	-	405/70-20	405/70-20
HYDRAULIC SYSTEM			
Hydraulic circuit	-	Gear pump	
Flow rate	l/min	50	46
Working pressure	bar	180	180
TANK CAPACITY			
Fuel	l	69	69
Hydraulic system	l	60	60
BRAKES			
Service	-	Sealed. Hydraulic drive	
Parking	-	Negative brake and electro-hydraulic release	

	D1001APG	DR601AHG	DR1001AHG
GENERAL			
Unloading system		Rotating	
Load capacity	10000	6000	10000
Chassis		Articulated	
Water hopper capacity	1850	1665	1850
Level hopper capacity	3300	2455	3300
Heaped hopper capacity	3900	3154	3900
Empty weight	5153	4840	5050
Transmission	Torque converter		Hydrostatic
Reversibility	No		Yes
ENGINE			
Brand / Model	DEUTZ TCD3.6 L4 HT	DEUTZ TD3.6 L4	DEUTZ TCD3.6 L4 HT
Power	55,4	55,4	55,4
Operating speed	2200	2200	2200
Torque	390@1300	330@1600	390@1300
No. of cylinders	4	4	4
Emissions	Stage IIIB - Tier 4f	Stage IIIB - Tier 4f	Stage IIIB - Tier 4f
Injection	Common Rail	Common Rail	Common Rail
Exhaust aftertreatment	DOC (Diesel oxidation catalyst)	DOC (Diesel oxidation catalyst)	DOC (Diesel oxidation catalyst)
Noise	101	101	101
DRIVING			
Max. speed	25	25	22
Maximum gradient	45	45	45
External turning radius	6287	5900	6287
Traction	4x4	4x4	4x4
Tyres	500/60-22.5	405/70-20	500/60-22.5
HYDRAULIC SYSTEM			
Hydraulic circuit		Gear pump	
Flow rate	46	50	50
Working pressure	180	180	180
TANK CAPACITY			
Fuel	69	69	69
Hydraulic system	60	60	60
BRAKES			
Service		Sealed. Hydraulic drive	
Parking		Negative brake and electro-hydraulic release	

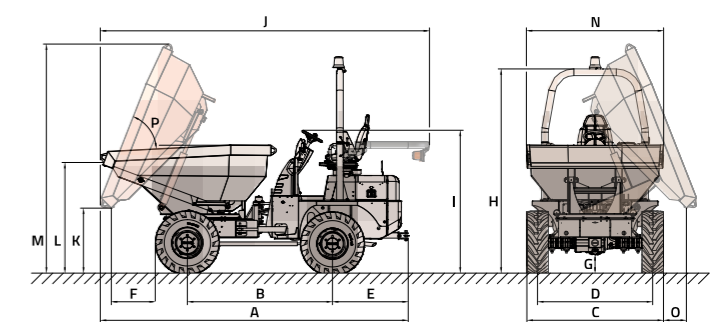
DIMENSIONS

DIMENSIONS

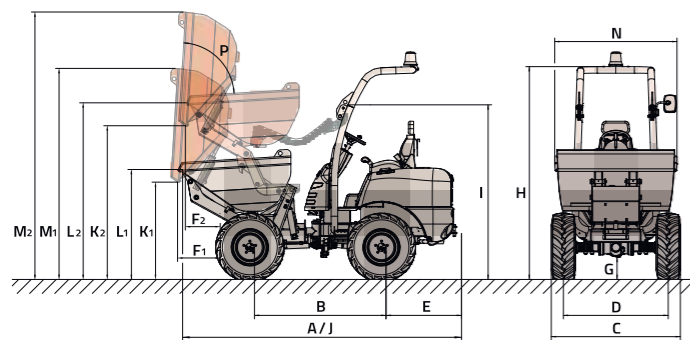
D201AHG / D301AHG



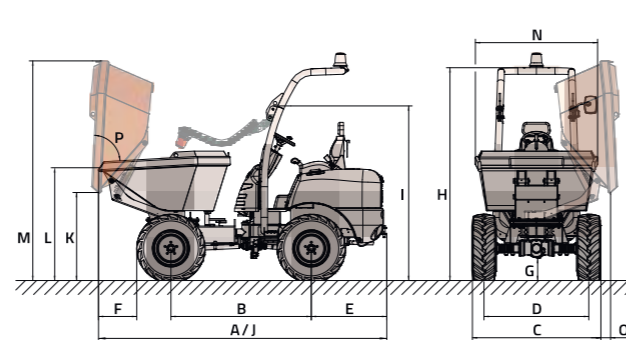
D350AHG



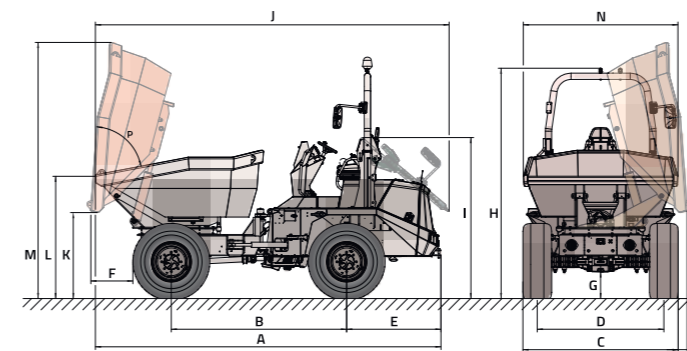
D100AHA / D120AHA / D150AHA



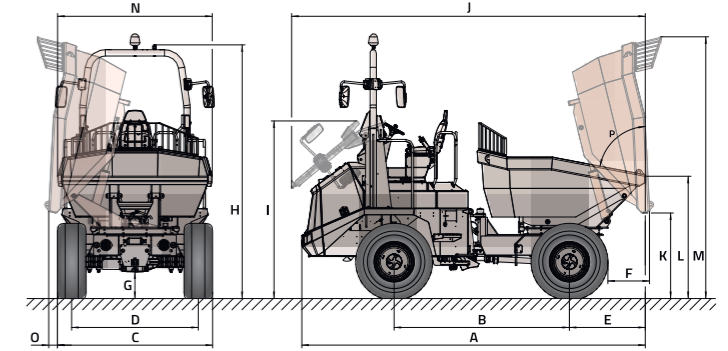
D100AHG / D120AHG / D150AHG



D601AHG / D601APG / D1001APG



DR601AHG / DR1001AHG



	D100AHA	D100AHA COMPACT	D100AHG	D120AHA	D120AHG	D150AHA	D150AHG
DIMENSIONS (mm)							
A	3200	3200	3200	3200	3200	3200	3300
B	1500	1500	1500	1500	1500	1500	1600
C	1100	990	1100	1210	1210	1480	1480
D	865	815	865	925	925	1195	1195
E	860	860	860	860	860	860	860
F	500 460	545 505	500	460 420	460	460 420	460
G	210	170	210	250	250	250	250
H	2400	2360	2400	2440	2440	2440	2440
I	1960	1920	1960	2000	2000	2000	2000
J	3200	3200	3200	3200	3200	3200	3300
K	950 1710	910 1670	950	990 1750	1000	990 1750	1000
L	1230 1980	1180 1940	1230	1270 2020	1270	1270 2020	1290
M	2250 3010	2210 2970	2350	2300 3050	2400	2300 3050	2500
N	1000	1000	1000	1200	1200	1400	1400
O	-	-	310	-	260	-	135
DIMENSIONS (°)							
P	83	83	83	83	83	83	83

	D201AHG	D301AHG	D350AHG	D601AHG	D601APG	D1001APG	DR601AHG	DR1001AHG
DIMENSIONS (mm)								
A	3995	4140	4170	4910	4910	5020	4910	5020
B	1880	1950	1960	2490	2490	2690	2490	2690
C	1500	1750	1840	2210	2210	2410	2210	2410
D	1235	1460	1555	1800	1800	1920	1800	1920
E	1200	1200	1025	1340	1340	1340	1080	990
F	480	490	600	580	580	485	580	485
G	240	260	260	380	380	410	380	410
H	2560	2605	2770	3280 (3110*)	3280 (3110*)	3640 (3380*)	3610 (3350*)	3640 (3380*)
I	1805	1850	1940	2290	2290	2560	2530	2560
J	3995	4140	4450	5030	5030	5140	5030	5140
K	935	865	870	1220	1220	1260	1220	1260
L	1305	1420	1490	1740	1740	1820	1740	1820
M	2910	2950	3090	3640	3640	3830	3720	3940
N	1480	1700	1850	2200	2200	2330	2200	2330
O	260	250	310	110	110	155	110	155
DIMENSIONS (°)								
P	49	46,5	65	75	75	75	75	75

* With closed cab.

EQUIPMENT

	D100AHA / AHG	D120AHA / AHG	D150AHA / AHG	D201AHG	D301AHG	D350AHG	D601AHG	D601APG	D1001APG	DR 601AHG	DR1001AHG
DRIVING POSITION											
Front folding ROPS protective structure	●	●	●								
Rear folding ROPS protective structure	○	○	○	●	●	●	●	●	●	●	●
Closed ROPS/FOPS cab with heating							○	○	○	○	○
Closed ROPS/FOPS cab with heating and air conditioning							○	○	○	○	○
SAFETY											
Seat belt with fasten sensor				●	●	●	●	●	●	●	●
Seat with operator's presence sensor				●	●	●	●	●	●	●	●
Rotating beacon	●	●	●			●					
LED rotating beacon				●	●		●	●	●	●	●
LED green rotating beacon				○	○		○	○	○	○	○
Acoustic warning for reverse gear	●	●	●	●	●	●	●	●	●	●	●
Emergency stop	○	○	○	○	○		●	●	●	●	●
Anti-vandal security system	●	●	●	●	●	●	●	●	●	●	●
Hill Holder - hill-start assist							●			●	●
Negative brake				●	●	●	●	●	●	●	●
Full visibility camera on the skip side							●	●	●	●	●
Full visibility camera on the counterweight side and proximity sensors							○	○	○	○	○
Full visibility cameras on the skip and counterweight sides and proximity sensors				○	○	○					
Protective grille on the skip									○	●	●
Reflective decals on rear body	○	○	○	○	○	○	○	○	○	○	○
LIGHTING AND DRIVING											
Road lights	○	○	○	○	○	○	○	○	○	○	○
Front LED working lights				○	○						
Rear-view mirror	●	●	●	●	●	●	●	●	●	●	●
Second rear-view mirror				○	○		○	○	○	●	●
Third rear-view mirror							○	○	○	○	○
Adhesive plate 20 km/h	○	○	○	○	○	○					
COMFORT											
Adjustable ergonomic seat	●	●	●	●	●	●	●	●	●	●	●
Extra comfort seat, fully adjustable	○	○	○								
All-in-one joystick	●	●	●	●	●	●	●	●	●	●	●
ADVANCED EQUIPMENT											
Hydrostatic transmission	●	●	●	●	●	●					
Hydrostatic transmission with electronic control							●			●	●
Limited-slip differential on both axles							●	●	●	●	●
ECO Mode system							●			●	●
Smart Stop system							○	○	○	○	○
Digital display							●	●	●	●	●
AUSAnow fleet manager	○	○	○	○	○	○	○	○	○	○	○

	D100AHA / AHG	D120AHA / AHG	D150AHA / AHG	D201AHG	D301AHG	D350AHG	D601AHG	D601APG	D1001APG	DR 601AHG	DR1001AHG
ACCESSORIES											
Metal engine cover	○	○	○	●	●						
Front mudguards				○	○	○	○	○	○	○	●
Reverse gear acoustic warning disable switch	○	○	○	○	○	○	○	○	○	○	○
White noise acoustic warning for reverse gear	○	○	○	○	○		○	○	○	○	○
Battery master switch				●	●		●	●	●	●	●
Car radio							○	○	○	○	○
Waterproof document holder	○	○	○	○	○	○	○	○	○	○	○
Water separator diesel filter				○	○	○					
Air filter with cyclone pre-filter				○	○						
Biodegradable hydraulic oil	○	○	○	○	○	○				○	○
Rockinger hitch						○					
Rockinger hitch with power socket							○	○	○	○	○
Towing ball and pintle hitch				○	○		○	○			
Towing ball and pintle hitch with power socket	○	○	○								
Power socket for the trailer				○	○	○	○	○	○	○	○
TYRES											
Narrow tyres 10.0/75-15.3"					○						
Turf tyres 400/60 -15.5"					○						
Turf tyres 400/70-20"							○	○		○	
SPARE PARTS											
1,000 h maintenance kit	○	○	○	○	○	○	○	○	○	○	○
Spare wheel	○	○	○	○	○	○	○	○	○	○	○

● Standard ○ Optional

AUSA
C/ Castelladral 1
08243 Manresa - Barcelona
SPAIN
Tel. +34 93 874 7311
ausa@ausa.com
www.ausa.com

AUSA Spain: +34 91 669 00 06 ausa.madrid@ausa.com
AUSA France: +33 (0) 4 68 54 38 97 - ausa.france@ausa.com
AUSA U.K.: +44 (0)7703 60 9009 - ausa.uk@ausa.com
AUSA Central Europe: +49 2384 9415725 - kontakt@ausa.com
AUSA U.S.: +1 (310) 426 2305 - ausa.us@ausa.com
AUSA CHINA: +86 10 8598 7386 - ausa.china@ausa.com

MKCAT.AD.ROW.EN02

Distributor's stamp



www.ausa.com