

ROUGH TERRAIN FORKLIFTS

Compact, powerful and versatile





1500 Kg

4

C150H



2000, 2500, 3500 Kg

6

C201H

C251H

C351H



4000, 5000 Kg

10

C401H

C501H

AUSAnow

12

Technical data

14

Dimensions

16

Equipment

18

ROUGH TERRAIN FORKLIFT

1500 KG

AUSA's most compact rough terrain forklift. With its 1,500 kg payload and extremely small size, it has outstanding handling and versatility.

It is ideal for labour-intensive work in the farming sector and in small-scale municipal works where small loads have to be moved.

The C150H is available with 4x4 and 4x2 drive, so there are options to meet every need.



C150H 1500KG
TRACTION 4x2 / 4x4 COMPEN®
POWER 18.5KW **WIDTH** 1300MM **TRANSMISSION** HYDROSTATIC



FEATURED EQUIPMENT

Tilting cab for easy access to the engine and components. **Ergonomic joystick** that controls the movements of the mast and the transmission. **Hydrostatic transmission** to ensure smooth and safe operation for the user. **Spacious driver's cab** for comfortable and safe handling. **Rotating beacon** for increased visibility on the jobsite.

ROUGH TERRAIN FORKLIFT

2000 - 2500 - 3500 KG

The most advanced range of compact forklifts available on the market. These powerful and robust models are equipped with the latest technology to achieve the best off-road performance with minimal fuel consumption.

They are designed for medium-scale tasks in the construction and agricultural sectors, reaching their full potential on difficult terrains thanks to their sturdiness and high payload.

They also have a digital display in the driver's cab which provides all of the machine's real-time information, allowing you to run self-diagnostics without the need for any external tools.

FEATURED EQUIPMENT

Tilting cab for easy access to the engine and components. **Ergonomic joystick** that controls the movements of the mast and the transmission. **Steering wheel with adjustable** height and reach, for optimum operator comfort and safety. **Digital screen** to access machine information and on board diagnostics. **Limited-slip differential** on the front axle, which transmits the necessary amount of power to each individual wheel. **ECO Mode** to automatically regulate the RPM to ensure low consumption and reduced maintenance costs. **Seat belt with a buckle sensor** and seat with presence sensor to prevent the machine from being used without following the minimum safety procedures. **Negative brake** which is automatically engaged when the engine is turned off.





C201H 2000KG
TRACTION 4x2 / 4x4 FULLGRIP®
POWER 18.5KW WIDTH 1520MM TRANSMISSION HYDROSTATIC



C251H 2500KG
TRACTION 4x4 FULLGRIP®
POWER 36.5KW WIDTH 1520MM TRANSMISSION HYDROSTATIC



C351H 3500KG
TRACTION 4x4 FULLGRIP®
POWER 36.5KW WIDTH 1780MM TRANSMISSION HYDROSTATIC

ROUGH TERRAIN FORKLIFT

4000 - 5000 KG

The C401H and C501H are AUSA's rough terrain forklifts with the highest payload. Designed for large-scale work, especially in the construction sector and for moving large materials.

Its large payload contrasts with its small size, allowing it to maintain excellent maneuverability on difficult terrains.

They also have a digital display in the driver's cab which provides all of the machine's real-time information, allowing you to run self-diagnostics without the need for any external tools.



C401H 4000KG
TRACTION 4x4 FULLGRIP®
POWER 55KW WIDTH 2010MM TRANSMISSION HYDROSTATIC



C501H 5000KG
TRACTION 4x4 FULLGRIP®
POWER 55KW WIDTH 2010MM TRANSMISSION HYDROSTATIC

FEATURED EQUIPMENT

Tilting cab for easy access to the engine and components.
Ergonomic joystick that controls the movements of the mast and the transmission. **Steering wheel with adjustable height and reach**, for optimum operator comfort and safety.
Digital screen to access machine information and on board diagnostics. **Limited-slip differential** on the front axle, which transmits the necessary amount of power to each individual wheel. **ECO Mode** to automatically regulate the RPM to ensure low consumption and reduced maintenance costs. **Seat belt with a buckle sensor and seat with presence sensor** to prevent the machine from being used without following the minimum safety procedures. **Negative brake** which is automatically engaged when the engine is turned off.



All AUSA forklifts can be equipped with AUSAnow, the software used to remotely control machines, providing you with all real-time information.



Control your fleet of machines

From your office or with your mobile phone. Control all of your AUSA machines in real time. With AUSAnow you can anticipate any faults and maintenance, to reduce downtime.



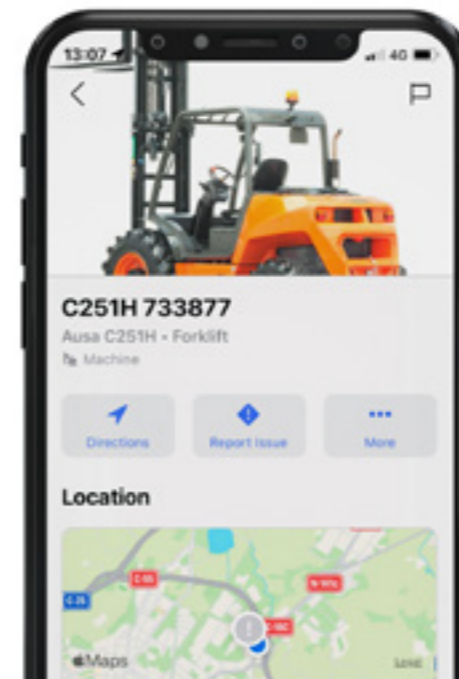
Get information and make decisions

View or create your own personalised charts to obtain in-depth information about the operation of your machines and make decisions that are based on analytical information.



Connect security alarms

Establish a schedule and security perimeter. If one of your machines is moved outside the established area, AUSAnow will alert you straight away so that you can deal with it.



Data, data and more data

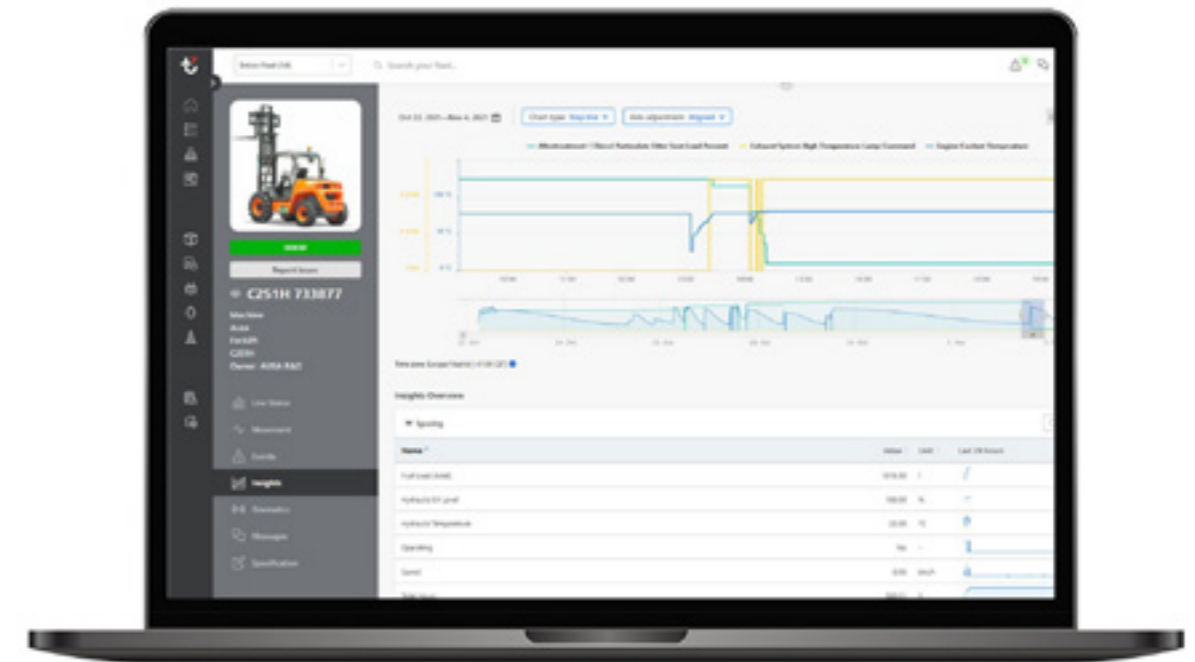
AUSAnow allows you to obtain advanced real-time information about your machine fleet. View advanced charts for customised time periods based on the parameters set by you.



Reduce downtime

AUSAnow connects you to your dealer or rental company, so that any appropriate maintenance can be performed. If you have a problem, AUSAnow provides you with a direct channel of communication with your machine supplier, so that it can be resolved as quickly as possible.

- Preventive alerts
- Attach images



Alarms for your peace of mind

Activate AUSA's recommended maintenance alerts and keep your machines in tip-top condition. And, for your security, you can program geofences and receive alerts if they go outside the established boundaries.

- Customise a schedule
- Set a perimeter

TECHNICAL DATA

TECHNICAL DATA

		C150H	C150Hx4	C201H	C201Hx4
GENERAL					
	UNIT				
Load capacity to 500 mm	kg		1500		2000
Load capacity to 600 mm	kg		1350		1840
Unladen weight *	kg		2700		3635
Transmission	-		Hydrostatic		Hydrostatic
MAST					
Fork carriage	-		FEM IIB		FEM IIB**
Carriage width	mm		1260		1260/1660
ENGINE					
Make	-		KUBOTA		KUBOTA
Model	-		V1505-E4B		D1703-M-DI-E4
Power	kW		18,5		18,5
Operating speed	rpm		2300		2200
Torque	N-m@rpm		92,6@1700		97,4@1500
No. cylinders	-		4		3
Emissions	-		Stage V, Tier 4		Stage V, Tier 4
Noise	dB(A)		103		104
DRIVING					
Max. speed	km/h		20		17
Gradability	%		25	25	40
Traction	-	4x2	4x4 Compen®	4x2	4x4 FullGrip®
Front tyres	-	10.0/75-15.3		10.0/75-15.3	
Rear tyres	-	6.00-9	23x8.5-12	6.00-9	23x8.5-12
HYDRAULIC SYSTEM					
Hydraulic circuit	-	10,6cc and 6cc two gears pump		18cc and 8cc two gears pump	
Flow rate	l/min	22		37	
Working pressure	bar	200		185	
TANK CAPACITY					
Fuel	l	45		62	
Hydraulic	l	40		51	
BRAKES					
Service	-	Sealed. Hydraulic drive		Sealed. Hydraulic drive	
Parking	-	Mechanical drive		Negative brake and electro-hydraulic release	

* It may change due to optional equipment ** Height measure is different from ISO 2328 standard measure

	C251Hx4	C351Hx4	C401Hx4	C501Hx4
	2500	3500	4000	-
	2275	3230	3700	5000
	4255	5430	6935	7670
	Hydrostatic	Hydrostatic	Hydrostatic	
	FEM IIB**	FEM IIIB**	FEM IIIB**	FEM IVB**
	1260/1660	1260/1660	1660	1660
	KUBOTA		DEUTZ	
	V2403-M E3B		TD 3.6	
	36,5		55	
	2600		1800	
	158,6@1600		340@1600	
	4		4	
	Stage IIIA		Tier 4f	
	104		104	
	20	20	20	
	38	35	35	
	4x4 FullGrip®	4x4 FullGrip®	4x4 FullGrip®	
	12.5/80-18	16/70-20	18-19.5	
	10.0/75-15.3	12-16.5	12-16.5	
	24cc and 8cc two gears pump	24cc and 8cc two gears pump	30cc and 14,6cc two gears pump	
	50	50	59	
	210	200	235	
	62	62	117	
	51	51	114	
	Sealed. Hydraulic drive			
	Negative brake and electro-hydraulic release			

DIMENSIONS

DIMENSIONS

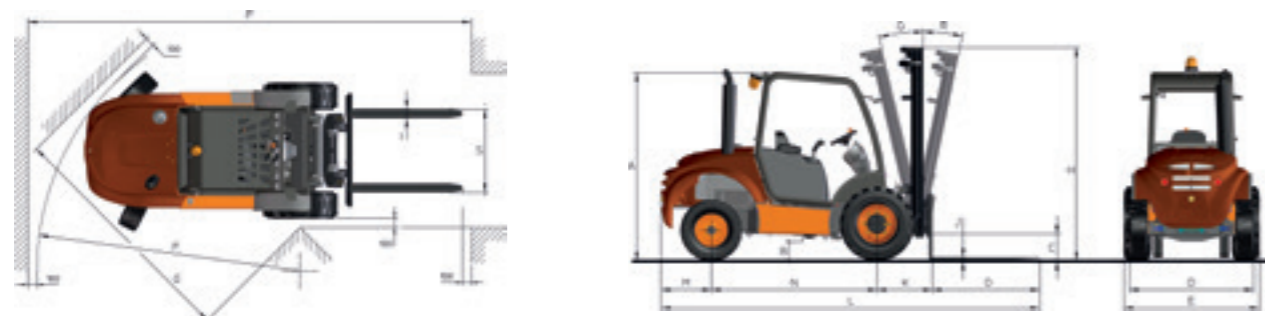
	Maximum lift	C150H C150Hx4	C201H C201Hx4	C251Hx4	C351Hx4	C401Hx4	C501Hx4	C150H C150Hx4	C201H C201Hx4	C251Hx4	C351Hx4	C401Hx4	C501Hx4
TYPE OF MAST	(mm)	H - RETRACTED MAST HEIGHT (mm)						EXTENDED MAST HEIGHT (mm)					
Duplex mast	2660	2040	-	-	-	-	-	3290	-	-	-	-	-
Duplex mast	3300	-	2410	2460	2670	-	-	-	4170	4220	4570	-	-
Duplex mast	3700	-	-	-	-	2770	2770	-	-	-	-	4600	4600
Triplex mast	3700	-	2070	2120	2130	-	-	-	4620	4670	4970	-	-
Triplex mast	4000	1980	-	-	-	-	-	4670	-	-	-	-	-
Triplex mast	4250	-	-	-	-	2370	2370	-	-	-	-	5280	5280
Triplex mast	4300	-	2230	2300	-	-	-	-	5250	5300	-	-	-
Triplex mast	5400	-	2610	2690	2700	-	-	-	6620	6370	6670	-	-
Triplex mast	5450	-	-	-	-	2770	2770	-	-	-	-	6480	6480

Standard masts in bold

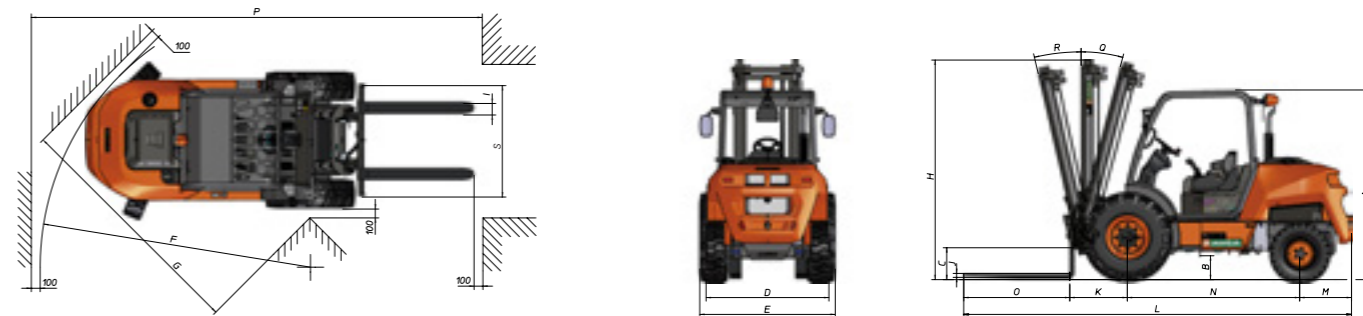
C150H C150Hx4	C201H C201Hx4	C251Hx4	C351Hx4	C401Hx4	C501Hx4	C150H C150Hx4	C201H C201Hx4 Standard axle	C201H C201Hx4 Wide axle	C251Hx4 Standard axle	C251Hx4 Wide axle	C351Hx4 Standard axle	C351Hx4 Wide axle	C401Hx4	C501Hx4
FREE LIFT (mm)						LOAD AT MAXIMUM HEIGHT (kg) ROUGH TERRAIN USE								
0	-	-	-	-	-	1500	-	-	-	-	-	-	-	-
-	120	120	120	-	-	-	2000	-	2500	-	3500	-	-	-
-	-	-	-	100	100	-	-	-	-	-	-	-	4000	5000
-	1130	1130	1200	-	-	-	2000	-	1740	-	3500	-	-	-
1360	-	-	-	-	-	1200	-	-	-	-	-	-	-	-
-	-	-	-	1390	1390	-	-	-	-	-	-	-	-	4250
-	1330	1330	-	-	-	-	-	2000	-	2155	-	-	-	-
-	1680	1680	1680	-	-	-	-	1250	-	1500	-	1400	-	-
-	-	-	-	1790	1790	-	-	-	-	-	-	-	-	2500

Machines with wide axles for high-lift masts

C 150 H



C201 - 251 - 351 - 401 - 501H



	C150H	C150Hx4	C201H	C201Hx4
DIMENSIONS (mm)				
A	2000	2040	2090	2090
B	210	240	210	210
C	215	205	310	310
D	1227	1247	1390	1490
E	1300	1300	1520	1520
E*	1300	1300	1780	1780
F	2570	4000	3020	4020
G	2420	2500	2780	2850
I	100	100	100	100
J	35	35	40	40
K	510	510	650	650
L	3630	3630	4380	4380
M	425	390	580	580
N	1710	1740	1950	1950
O	1000	1000	1200	1200
P	4280	5710	5070	6180
S	1260	1260	1260	1260
S**	-	-	1600	1600
DIMENSIONS (°)				
Q	11	11	11	11
R	12	12	12	12

* Measured with high-lift mast installed ** Measured for wide axle carriage

	C251Hx4	C351Hx4	C401Hx4	C501Hx4
	2150	2190	2350	2350
	210	320	280	280
	310	375	290	290
	1490	1645	1760	1760
	1520	1780	2010	2010
	1780	2050	2010	2010
	4120	4350	4410	4410
	2850	3090	3210	3210
	100	120	120	120
	40	50	50	50
	650	710	720	720
	4385	4540	4610	4610
	580	615	640	640
	1950	2020	2050	2050
	1200	1200	1200	1200
	6180	6645	6430	6430
	1260	1310	1660	1660
	1600	1710	-	-
	11	11	11	11
	12	12	12	12

EQUIPMENT

	C150H C150HX4	C201H C201HX4	C251HX4	C351HX4	C401HX4	C501HX4
DRIVING POSITION						
Open cab	●	●	●	●	●	●
Semi-closed cab with front, rear and upper windscreens	○	○	○	○	○	○
Closed cab with heating	○	○	○	○	○	○
Closed cab with heating and air conditioning			○	○	○	○
Open ROPS cab		○		○		
Semi-closed ROPS cab with front, rear and upper windscreens		○		○		
Closed ROPS cab with heating		○		○		
Closed ROPS cab with heating and air conditioning				○		
Tilting cab with assisted lift	●	●	●	●	●	●
MASTS						
2.66 m duplex mast	●					
3.30 duplex mast		●	●	●		
3.70 m duplex mast					●	●
3.70 m triplex mast		○	○	○	○	○
4.00 m triplex mast	○					
4.25 m triplex mast					○	○
4.30 m triplex mast with wide shaft		○	○			
5.40 m triplex mast with wide shaft		○	○	○		
5.45 m triplex mast					○	○
SAFETY						
Seat belt with fasten sensor		●	●	●	●	●
Seat with operator's presence sensor		●	●	●	●	●
Rotating beacon	●					
LED rotating beacon		●	●	●	●	●
Acoustic warning for reverse gear	●	●	●	●	●	●
Blue Spot light		○	○	○	○	○
Emergency stop	○	●	●	●	●	●
Hill Holder - hill-start assist			●	●	●	●
Negative brake		●	●	●	●	●
Joystick lock					○	○
Exhaust spark arrestor	○					
LIGHTING AND DRIVING						
Road lights	○					
Road lights with LED daylight		○	○	○	○	○
Front and rear LED working lights		○	○	○	○	○
Front (2) and rear (1) working lights	○					
Rear-view mirrors	●	●	●	●	●	●
Fast reverse speed	○					
Maximum speed limited to 15 km/h						
COMFORT						
Adjustable ergonomic seat	●	●	●	●	●	●
Extra comfort seat, fully adjustable	○	○	○	○	○	○
Steering wheel with adjustable tilt and reach		●	●	●	●	●
All-in-one joystick	●	●	●	●	●	●
Armrest	●	●	●	●	●	●

	C150H C150HX4	C201H C201HX4	C251HX4	C351HX4	C401HX4	C501HX4
ADVANCED EQUIPMENT						
Hydrostatic transmission	●	●	●	●	●	●
Second-generation FullGrip® (4WD)			●	●	●	●
Limited-slip differential on the front axle		●	●	●	●	●
Inching pedal	●	●	●	●	●	●
ECO Mode system			●	●	●	●
Digital display		●	●	●	●	●
AUSAnow fleet manager	○	○	○	○	○	○
FORKS						
1,000 mm forks	●					
1,200 mm forks	○	●	●	●	●	●
2,438 mm forks						
2,438 mm forks (FEM IIA)						
1,260 mm type FEM II fork carriage	●	●	●			
1,260 mm type FEM III fork carriage				●	●	
1,660 mm type FEM IV fork carriage						●
1,200 mm load rest	○					
1,260 mm load rest		○	○	○		
1,660 mm load rest		○	○	○	○	○
1,730 mm load rest					○	○
Built-in side shifter	●	●	●	●	●	●
IMPLEMENTS						
400-litre shovel			○			
420-litre shovel	○					
600-litre shovel			○			
800-litre shovel				○		
1,000-litre shovel				○		
ACCESSORIES						
4th valve for two-way action control	○	○	○	○	○	○
Load damper	○	○	○	○		
Reverse gear acoustic warning disable switch	○	○	○	○	○	○
White noise acoustic warning for reverse gear	○	○	○	○	○	○
Fan protective grille		○				
Car radio		○	○	○	○	○
Waterproof document holder	○	○	○	○	○	○
Water separator diesel filter	○	○	○	○	●	●
Air filter with cyclone pre-filter	○	○	○	○	○	○
Biodegradable hydraulic oil	○					
TYRES						
520/50R17 front and 31x15.5-15" rear flotation tyres			○	○		
PARTS						
Spare wheel	○	○	○	○	○	○
1,000 h maintenance kit	○	○	○	○	○	○

● Standard ○ Optional

AUSA
C/ Castelladral 1
08243 Manresa - Barcelona
SPAIN
Tel. +34 93 874 7311
ausa@ausa.com
www.ausa.com

AUSA Spain: +34 91 669 00 06 ausa.madrid@ausa.com
AUSA France: +33 (0) 4 68 54 38 97 - ausa.france@ausa.fr
AUSA U.K.: +44 (0)7703 60 9009 - ausa.uk@ausa.com
AUSA Central Europe: +49 2384 9415725 - kontakt@ausa.com
AUSA U.S.: +1 (310) 426 2305 - ausa.us@ausa.com
AUSA CHINA: +86 10 8598 7386 - ausa.china@ausa.com

MKCAT.FK.ROW.ENG02

Distributor's stamp



www.ausa.com