

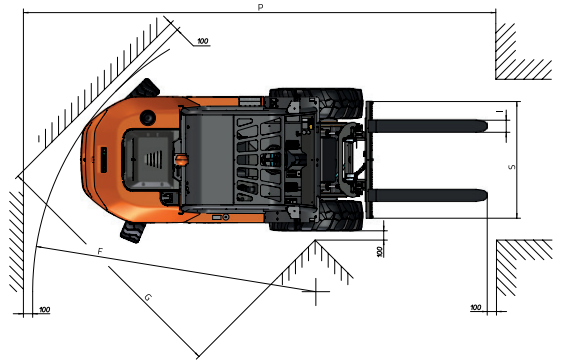
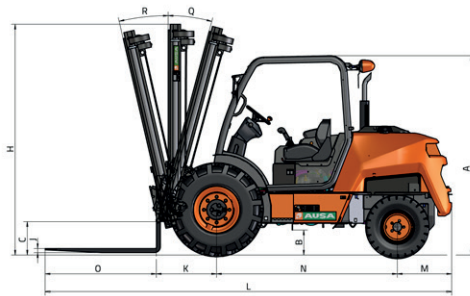


TECHNICAL DATA

GENERAL		C 351 H	C 351 H x4
Load capacity to 20"	lb	7,700	7,700
Load capacity to 24"	lb	7,100	7,100
Unladen weight *	lb	10,580	10,847
Transmission	-	Hydrostatic, with continuous speed control	Hydrostatic, with continuous speed control
MAST			
Fork carriage	-	FEM 3	FEM 3
Carriage width	in	49,60 / 63	49,60 / 63
ENGINE			
Make	-	KUBOTA	KUBOTA
Model	-	V2403-CR	V2403-CR
Power	hp	41.8	41.8
Operating speed	r/min	2,200	2,200
Torque	Nm@rpm	158.6@1600	158.6@1600
No. cylinders	-	4	4
Emissions	-	Stage V + EPA/CARB Tier 4f	Stage V + EPA/CARB Tier 4f
Ambient noise	dB(A)	104	104
DRIVING			
Max. speed	mph	12.4	12.4
Gradability	%	30	30
Traction	-	4x2	4x4 FullGrip®
Front tyres	-	16/70-20	16/70-20
Rear tyres	-	27x10-12	12-16.5
HYDRAULIC SYSTEM			
Hydraulic circuit	gal/min	13.94	13.94
Working pressure	psi	2,465	2,465
TANK CAPACITY			
Fuel	gal	16.4	16.4
Hydraulic	gal	13.5	13.5
BRAKES			
Service	-	Hydraulic, multi-disc and sealed	Hydraulic, multi-disc and sealed
Parking	-	Negativ, multi-disc and sealed	Negativ, multi-disc and sealed

DIMENSIONS

TYPE OF MAST	Maximum lift (ft)	H		Free lift (in)	Load at maximum height (lb)	
		Retracted mast height (in)	Extended mast height (in)		Narrow axle	All-terrain use Wide axle
Duplex mast (Std.)	10.82	105.1	179.9	4.7	7,716	7,716
Triplex mast	12.14	83.8	195.6	47.2	7,054	7,716
Triplex mast	17.88	106.3	262.6	66.1	-	3,527



DIMENSIONS (in)	C 351 H	C 351 H x4
A	85.43	86.22
B	11.81	12.60
C	13.98	14.76
D	59.45	64.76
E	70.07	70.07
E**	80.71	80.71
F	123.58	171.26
G	115.35	121.65
I	4.72	4.72
J	1.97	1.97
K	27.95	27.95
L	178.74	178.74
M	24.21	24.21
N	79.53	79.53
O	47.24	47.24
P	208.66	261.61
Q	14°	14°
R	11°	11°
S	47.24	47.24
S***	62.99	62.99

** Measured with high-lift mast installed ***Measured for wide axle carriage



www.ausa.com

Products are subject to modifications without prior notice. Images throughout the spec sheet may refer to non-standard machines or non-available configurations depending on models.

AUSA's logo and corporate identity are property of the Company, they cannot be used without authorization.