



# D1000 AP D 1000 APG

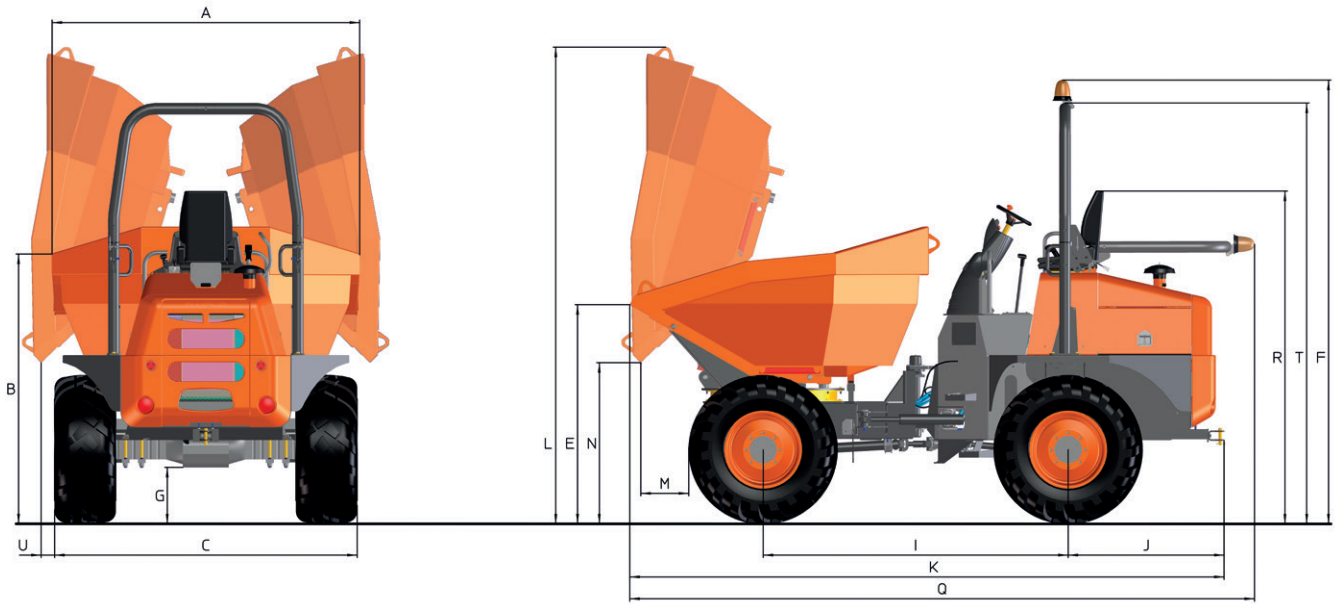


## TECHNICAL DATA

| GENERAL                 |        | D 1000 AP<br>M6323 / M6322*      | D 1000 AP PLUS<br>M6321 / M6320  | D 1000 APG<br>M6313 / M6312*     | D 1000 APG PLUS<br>M6311 / M6310 |
|-------------------------|--------|----------------------------------|----------------------------------|----------------------------------|----------------------------------|
| Unloading system        |        | Frontal                          | Frontal                          | Rotating                         | Rotating                         |
| Load capacity           | Kg     | 10000                            | 10000                            | 10000                            | 10000                            |
| Chassis                 |        | Articulated and oscillating      | Articulated and oscillating      | Articulated and oscillating      | Articulated and oscillating      |
| Water hopper capacity   | l      | 2440                             | 2440                             | 1950                             | 1950                             |
| Level hopper capacity   | l      | 3750                             | 3750                             | 3140                             | 3140                             |
| Heaped hopper capacity  | l      | 5225                             | 5225                             | 4790                             | 4790                             |
| Empty weight            | Kg     | 4760                             | 4760                             | 4990                             | 4990                             |
| Transmission            |        | Torque converter                 | Torque converter                 | Torque converter                 | Torque converter                 |
| <b>ENGINE</b>           |        |                                  |                                  |                                  |                                  |
| Brand                   |        | DEUTZ / KUBOTA*                  | DEUTZ / KUBOTA                   | DEUTZ / KUBOTA*                  | DEUTZ / KUBOTA                   |
| Model                   |        | TCD3.6 L4 / V3800T               | TCD3.6 L4 / V3800CR-TE4B         | TCD3.6 L4 / V3800T               | TCD3.6 L4 / V3800CR-TE4B         |
| Power                   | kW     | 55.4 / 74                        | 55.4 / 83.5                      | 55.4 / 74                        | 55.4 / 83.5                      |
| Operating speed         | rpm    | 2200 / 2600                      | 2200 / 2600                      | 2200 / 2600                      | 2200 / 2600                      |
| Torque                  | Nm@rpm | 390@1600 / 330 @1500             | 390@1600 / 375@1500              | 390@1600 / 330 @1500             | 390@1600 / 375@1500              |
| No. of cylinders        |        | 4                                | 4                                | 4                                | 4                                |
| Emissions               |        | T4f, Stage IIIB / T3, Stage IIIA | T4f, Stage IIIB / T4i Stage IIIB | T4f, Stage IIIB / T3, Stage IIIA | T4f, Stage IIIB / T4i Stage IIIB |
| Noise                   | dB(A)  | 101 / 102                        | 103                              | 101 / 102                        | 103                              |
| Consumption             | l/h    | 16,2 / 17,5                      | 16,2 / 17,5                      | 16,2 / 17,5                      | 16,2 / 17,5                      |
| CO <sub>2</sub>         | Kg/h   | 42 / 45                          | 42 / 45                          | 42 / 45                          | 42 / 45                          |
| <b>DRIVING</b>          |        |                                  |                                  |                                  |                                  |
| Max. speed              | Km/h   | 32/38                            | 32/38                            | 32/38                            | 32/38                            |
| Maximum gradient        | %      | 60                               | 60                               | 60                               | 60                               |
| External turning radius | mm     | 5950/7400**                      | 5950/7400**                      | 5900/7350**                      | 5900/7350**                      |
| Traction                |        | 4x4                              | 4x4                              | 4x4                              | 4x4                              |
| Tyres                   |        | 500/60-22.5                      | 500/60-22.5                      | 500/60-22.5                      | 500/60-22.5                      |
| <b>HYDRAULIC SYSTEM</b> |        |                                  |                                  |                                  |                                  |
| Hydraulic circuit       |        | 25 cc gear pump                  | 25 cc gear pump                  | 25 cc gear pump                  | 25 cc gear pump                  |
| Working pressure        | bar    | 170                              | 170                              | 170                              | 170                              |
| <b>TANK CAPACITY</b>    |        |                                  |                                  |                                  |                                  |
| Fuel                    | l      | 70                               | 70                               | 70                               | 70                               |
| Hydraulic system        | l      | 65                               | 65                               | 65                               | 65                               |
| <b>BRAKES</b>           |        |                                  |                                  |                                  |                                  |
| Service                 |        | Sealed brakes. Hydraulic drive   | Sealed brakes. Hydraulic drive   | Sealed brakes. Hydraulic drive   | Sealed brakes. Hydraulic drive   |
| Parking                 |        | Sealed brakes. Mechanical drive  | Sealed brakes. Negative          | Sealed brakes. Mechanical drive  | Sealed brakes. Negative          |

\* Only available outside of the North American and European Union markets \*\* With closed cab

## DIMENSIONS



| DIMENSIONS (mm) | D 1000 AP    | D 1000 AP PLUS | D 1000 APG   | D 1000 APG PLUS |
|-----------------|--------------|----------------|--------------|-----------------|
| A               | 2455         | 2455           | 2475         | 2475            |
| B               | 2360         | 2360           | 2340         | 2340            |
| C               | 2425         | 2425           | 2425         | 2425            |
| E               | 1660         | 1660           | 1715         | 1715            |
| F               | 3500         | 3500           | 3515         | 3515            |
| G               | 410          | 410            | 410          | 410             |
| I               | 2450         | 2450           | 2450         | 2450            |
| J               | 1250         | 1250           | 1250         | 1250            |
| K               | 4565         | 4565           | 4775         | 4775            |
| L               | 2675         | 2675           | 3780         | 3780            |
| M               | 720          | 720            | 455          | 455             |
| N               | 455          | 455            | 1315         | 1315            |
| Q               | 4790         | 4790           | 5015         | 5015            |
| R               | 2515         | 2515           | 2515         | 2515            |
| T               | 3330 (3205*) | 3330 (3205*)   | 3330 (3205*) | 3330 (3205*)    |
| U               | -            | -              | 84           | 84              |

\* With closed cab



[www.ausa.com](http://www.ausa.com)

Products are subject to modifications without prior notice. Images throughout the spec sheet may refer to non-standard machines or non-available configurations depending on models.

AUSA's logo and corporate identity are property of the Company, they cannot be used without authorization.