



D 100 AHA
D 100 AHG

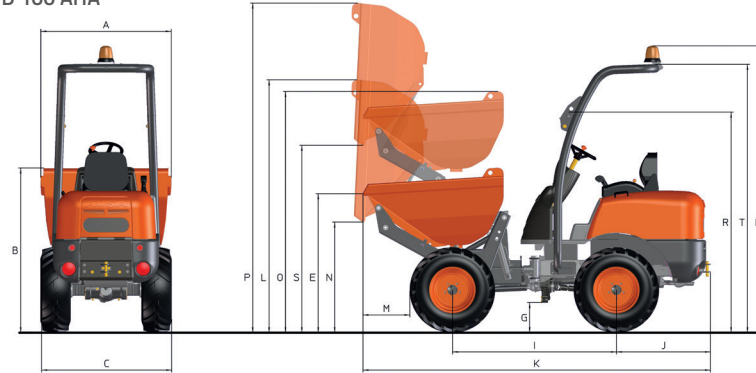


TECHNICAL DATA

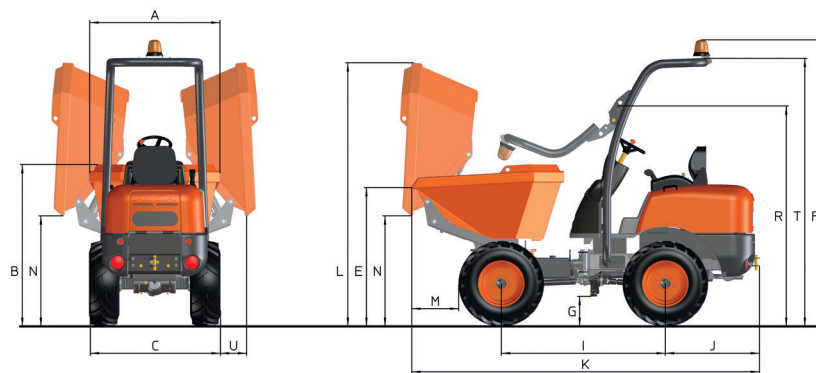
		D100 AHA M706	D100 AHA COMPACT M706 + A70600040	D 100 AHG M707
GENERAL				
Unloading system		High	High	Rotating
Load capacity	lb	2,200	2,200	2,200
Chassis		Articulated and oscillating	Articulated and oscillating	Articulated and oscillating
Water hopper capacity	cu yd	0.45	0.45	0.42
Level hopper capacity	cu yd	0.52	0.52	0.51
Heaped hopper capacity	cu yd	0.74	0.74	0.71
Empty weight	lb	2,866	2,866	2,800
Transmission		Hydrostatic	Hydrostatic	Hydrostatic
ENGINE				
Brand		KUBOTA	KUBOTA	KUBOTA
Model		D1105-E2B	D1105-E2B	D1105-E2B
Power	hp	22.5	22.5	22.5
Operating speed	rpm	2700	2700	2700
Torque	Nm@rpm	72@2200	72@2200	72@2200
No. of cylinders		3	3	3
Emissions		Stage IIIA - EPA Tier2	Stage IIIA - EPA Tier2	Stage IIIA - EPA Tier2
Noise	dB(A)	101	101	101
Consumption	gal/h	1.21	1.21	1.21
CO ₂	lb/h	26.45	26.45	26.45
DRIVING				
Max. speed	mph	9.3	9.3	9.3
Maximum gradient	%	38	38	38
External turning radius	in	120.5	120.5	119.5
Traction		4x4	4x4	4x4
Tyres		27x8.5-15"	6.5/80-12	27x8.5-15"
HYDRAULIC SYSTEM				
Hydraulic circuit		8 cc gear pump	8 cc gear pump	8 cc gear pump
Working pressure	psi	2,610	2,610	2,610
TANK CAPACITY				
Fuel	gal	6.07	6.07	6.07
Hydraulic system	gal	5.60	5.60	5.60
BRAKES				
Service		Sealed brakes. Mechanical drive	Sealed brakes. Mechanical drive	Sealed brakes. Mechanical drive
Parking		Sealed brakes. Mechanical drive	Sealed brakes. Mechanical drive	Sealed brakes. Mechanical drive

DIMENSIONS

D 100 AHA



D 100 AHG



DIMENSIONS (in)	D 100 AHA	D 100 AHA COMPACT	D 100 AHG
A	38.97	38.97	38.97
B	56.60	56.60	55.90
C	43.30	38.97	43.30
E	47.24	47.24	47.24
F	100.78	100.78	100.78
G	8.66	8.66	8.66
I	59.05	59.05	59.05
J	33.85	33.85	33.85
K	125.59	125.59	125.59
L	88.58	88.58	92.51
M	19.09	19.09	19.09
N	37.59	37.59	37.59
O	84.44	84.44	-
P	116.14	116.14	-
R	76.96	76.96	76.96
S	65.15	65.15	-
T	94.09	94.09	94.09
U	-	-	11.81



www.ausa.com

Products are subject to modifications without prior notice. Images throughout the spec sheet may refer to non-standard machines or non-available configurations depending on models.

AUSA's logo and corporate identity are property of the Company, they cannot be used without authorization.