



## Articulated Dumper

# D 120 AHA D 120 AHG

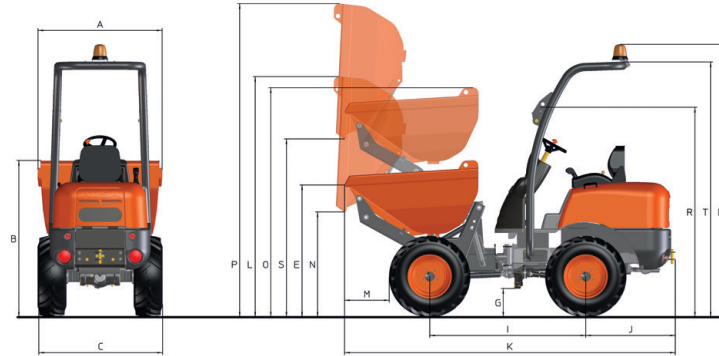


### TECHNICAL DATA

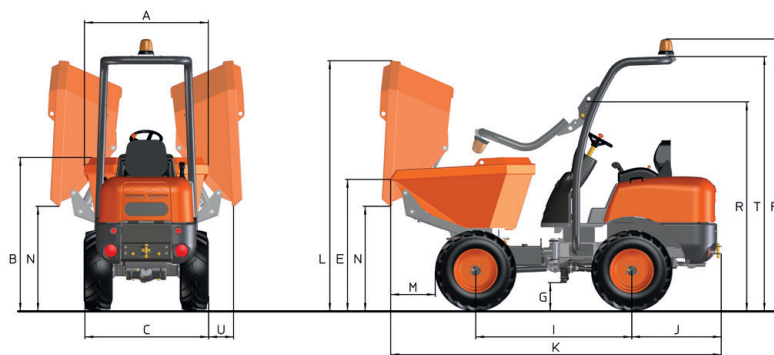
<b>GENERAL</b>		<b>D120 AHA M710</b>	<b>D 120 AHG M711</b>
Unloading system		High	Rotating
Load capacity	lb	2,600	2,600
Chassis		Articulated and oscillating	Articulated and oscillating
Water hopper capacity	cu yd	0.55	0.54
Level hopper capacity	cu yd	0.67	0.64
Heaped hopper capacity	cu yd	0.91	0.90
Empty weight	lb	3,030	3,030
Transmission		Hydrostatic	Hydrostatic
<b>ENGINE</b>			
Brand		KUBOTA	KUBOTA
Model		D1105-E2B	D1105-E2B
Power	hp	22.5	22.5
Operating speed	rpm	2700	2700
Torque	Nm@rpm	72@2200	72@2200
No. of cylinders		3	3
Emissions		Stage IIIA - EPA Tier2	Stage IIIA - EPA Tier2
Noise	dB(A)	101	101
Consumption	gal/h	1.21	1.21
CO <sub>2</sub>	lb/h	26.45	26.45
<b>DRIVING</b>			
Max. speed	mph	10.56	10.56
Maximum gradient	%	48	48
External turning radius	in	123	121
Traction		4x4	4x4
Tyres		10.0/75-15.3"	10.0/75-15.3"
<b>HYDRAULIC SYSTEM</b>		8 cc gear pump	8 cc gear pump
Hydraulic circuit			
Working pressure	psi	2,610	2,610
<b>TANK CAPACITY</b>			
Fuel	gal	6.07	6.07
Hydraulic system	gal	5.60	5.60
<b>BRAKES</b>			
Service		Sealed brakes. Mechanical drive	Sealed brakes. Mechanical drive
Parking		Sealed brakes. Mechanical drive	Sealed brakes. Mechanical drive

## DIMENSIONS

D 120 AHA



D 120 AHG



DIMENSIONS (in)	D 120 AHA	D 120 AHG
A	46.45	46.85
B	58.66	57.87
C	47.24	47.04
E	49.40	49.40
F	102.75	102.75
G	10.62	10.62
I	59.05	59.05
J	33.85	33.85
K	125.59	125.59
L	90.55	94.48
M	18.11	17.71
N	39.37	39.37
O	85.41	-
P	118.11	-
R	78.74	78.74
S	67.32	-
T	96.06	96.06
U	-	10.23



[www.ausa.com](http://www.ausa.com)

Products are subject to modifications without prior notice. Images throughout the spec sheet may refer to non-standard machines or non-available configurations depending on models.

AUSA's logo and corporate identity are property of the Company, they cannot be used without authorization.