



Rigid Dumper

D 150 RM D 150 RMA

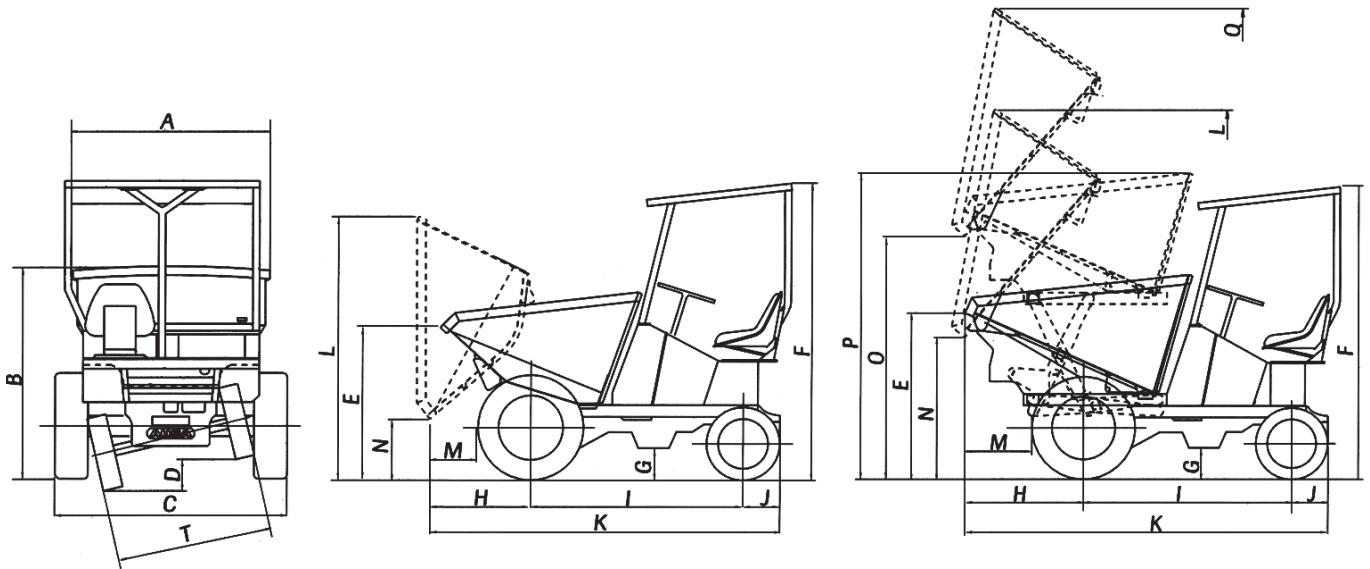


TECHNICAL DATA

GENERAL		D 150 RM M092/M0921	D 150 RM x4 M097/M0971	D 150 RMA M141/M1411	D 150 RMA x4 M143/M1431
Unloading system		Frontal	Frontal	High	High
Load capacity	Kg	1500	1500	1500	1500
Chassis		Rígido	Rígido	Rígido	Rígido
Water hopper capacity	l	608	608	630	630
Level hopper capacity	l	868	868	970	970
Heaped hopper capacity	l	1047	1047	1100	1100
Empty weight	Kg	950	950	1360	1230
Transmission		Mechanical, 4-speed	Mechanical, 4-speed	Mechanical, 4-speed	Mechanical, 4-speed
ENGINE					
Brand		HATZ / KUBOTA**	HATZ / KUBOTA**	HATZ / KUBOTA**	HATZ / KUBOTA**
Model		1D90Z / D902	1D90Z / D902	1D90Z / D902	1D90Z / D902
Power	kW	11.3 / 12.1	11.3 / 12.1	11.3 / 12.1	11.3 / 12.1
Operating speed	rpm	2800 / 2500	2800 / 2500	2800 / 2500	2800 / 2500
Torque	Nm@rpm	43@2000 / 55@1900	43@2000 / 55@1900	43@2000 / 55@1900	43@2000 / 55@1900
No. of cylinders		1 / 3	1 / 3	1 / 3	1 / 3
Emissions		-	-	-	-
Noise	dB(A)	99	99	99	99
Consumption	l/h	2,2 / 2,4	2,2 / 2,4	2,2 / 2,4	2,2 / 2,4
CO2	Kg/h	5,7 / 6,1	5,7 / 6,1	5,7 / 6,1	5,7 / 6,1
DRIVING					
Max. speed	Km/h	21/19	21/19	21/19	21/19
Maximum gradient	%	30% / 35%	30% / 35%	26% / 30%	26% / 30%
External turning radius	mm	3470	3620	3470	3620
Traction		4x2	4x4 FullGrip® System	4x2	4x4 FullGrip® System
Front tyres		7.50-16"	7.50-16"	7.50-16"	7.50-16"
Rear tyres		145/80R-13"	16.5/80x12"	145/80R-13"	16.5/80x12"
HYDRAULIC SYSTEM					
Hydraulic circuit		20/18	20/18	20/18	20/18
Working pressure	bar	115	115	150	150
TANK CAPACITY					
Fuel	l	13	13	13	13
Hydraulic system	l	16.5	16.5	16.5	16.5
BRAKES					
Service		Hydraulic drum brake	Hydraulic drum brake	Hydraulic drum brake	Hydraulic drum brake
Parking		Mechanical on the front axle	Mechanical on the front axle	Mechanical on the front axle	Mechanical on the front axle

** Optional

DIMENSIONS



DIMENSIONS (mm)	D 150 RM	D 150 RM x4	D 150 RMA	D 150 RMA x4
A	1560	1560	1560	1560
B	1310	1310	1440	1440
C	1560	1560	1560	1560
D	200	200	200	200
E	1110	1110	1220	1220
F	2095	2095	2095	2095
G	225	225	225	225
H	610	610	830	830
I	1440	1440	1440	1440
J	280	280	280	280
K	2330	2330	2550	2550
L	1855	1855	2590	2590
M	200	200	440	440
N	480	480	1015	1015
O	-	-	1710	-
P	-	-	2135	-
Q	-	-	3285	-
T	1225	1225	1225	1225



www.ausa.com

Products are subject to modifications without prior notice. Images throughout the spec sheet may refer to non-standard machines or non-available configurations depending on models.

AUSA's logo and corporate identity are property of the Company, they cannot be used without authorization.