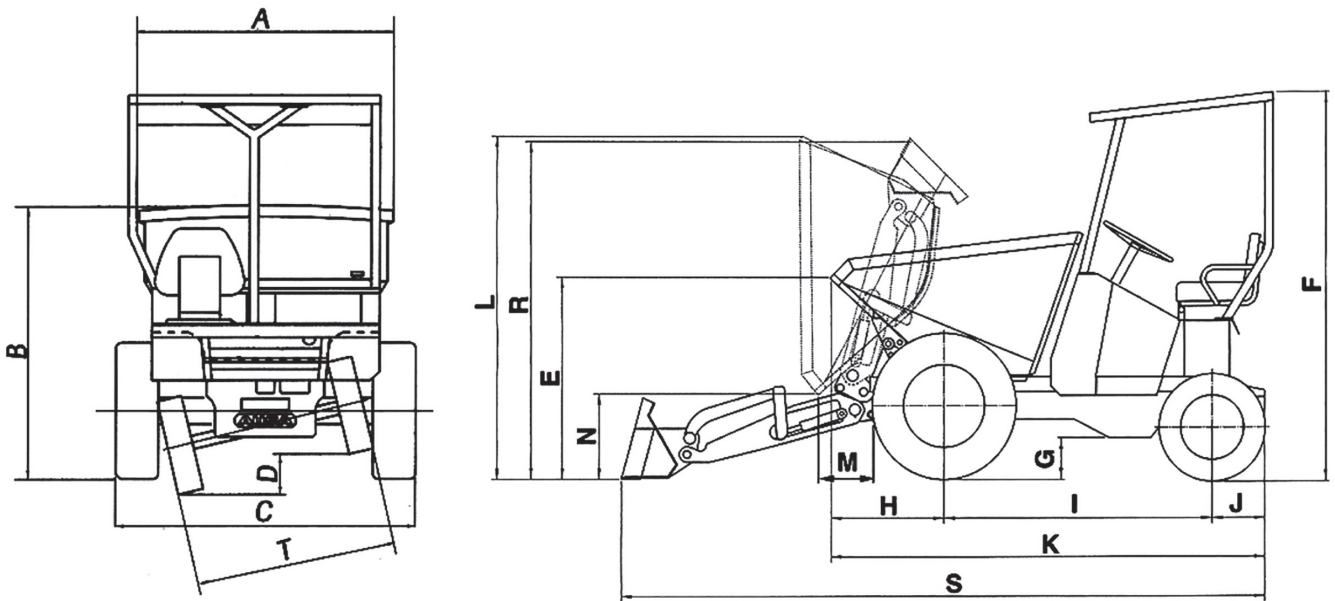




TECHNICAL DATA

		D 175 RMS M934/M9341	D 175 RMS x4 M935/9351
GENERAL			
Unloading system		Frontal	Frontal
Load capacity	Kg	1750	1750
Chassis		Rígido	Rígido
Water hopper capacity	l	608	608
Level hopper capacity	l	868	868
Heaped hopper capacity	l	1047	1047
Empty weight	Kg	1230	1230
Transmission		Mechanical, 4-speed	Mechanical, 4-speed
ENGINE			
Brand		HATZ / KUBOTA**	HATZ / KUBOTA**
Model		1D90Z / D902	1D90Z / D902
Power	kW	11.3 / 12.1	11.3 / 12.1
Operating speed	rpm	2800 / 2500	2800 / 2500
Torque	Nm@rpm	43@2000 / 55@1900	43@2000 / 55@1900
No. of cylinders		1 / 3	1 / 3
Emissions		-	-
Noise	dB(A)	99	99
Consumption	l/h	2,2 / 2,4	2,2 / 2,4
CO2	Kg/h	5,7 / 6,1	5,7 / 6,1
DRIVING			
Max. speed	Km/h	21/19	21/19
Maximum gradient	%	22% / 26%	22% / 26%
External turning radius	mm	3470	3620
Traction		4x2	4x4 FullGrip® System
Front tyres		7.50-16"	7.50-16"
Rear tires		145/80R-13"	16.5/80x12"
HYDRAULIC SYSTEM			
Hydraulic circuit		20/18	20/18
Working pressure	bar	120	120
TANK CAPACITY			
Fuel	l	13	13
Hydraulic system	l	16.5	16.5
BRAKES			
Service		Hydraulic drum brake	Hydraulic drum brake
Parking		Mechanical on the front axle	Mechanical on the front axle

DIMENSIONS



DIMENSIONS (mm)	D 175 RMS	D 175 RMS x4
A	1560	1560
B	1310	1310
C	1560	1560
D	200	200
E	1100	1100
F	2095	2095
G	225	225
H	610	610
I	1440	1440
J	280	280
K	2330	2330
L	1855	1855
M	200	200
N	480	480
R	1793	1793
S	3464	3464
T	1225	1225



www.ausa.com

Products are subject to modifications without prior notice. Images throughout the spec sheet may refer to non-standard machines or non-available configurations depending on models.

AUSA's logo and corporate identity are property of the Company, they cannot be used without authorization.