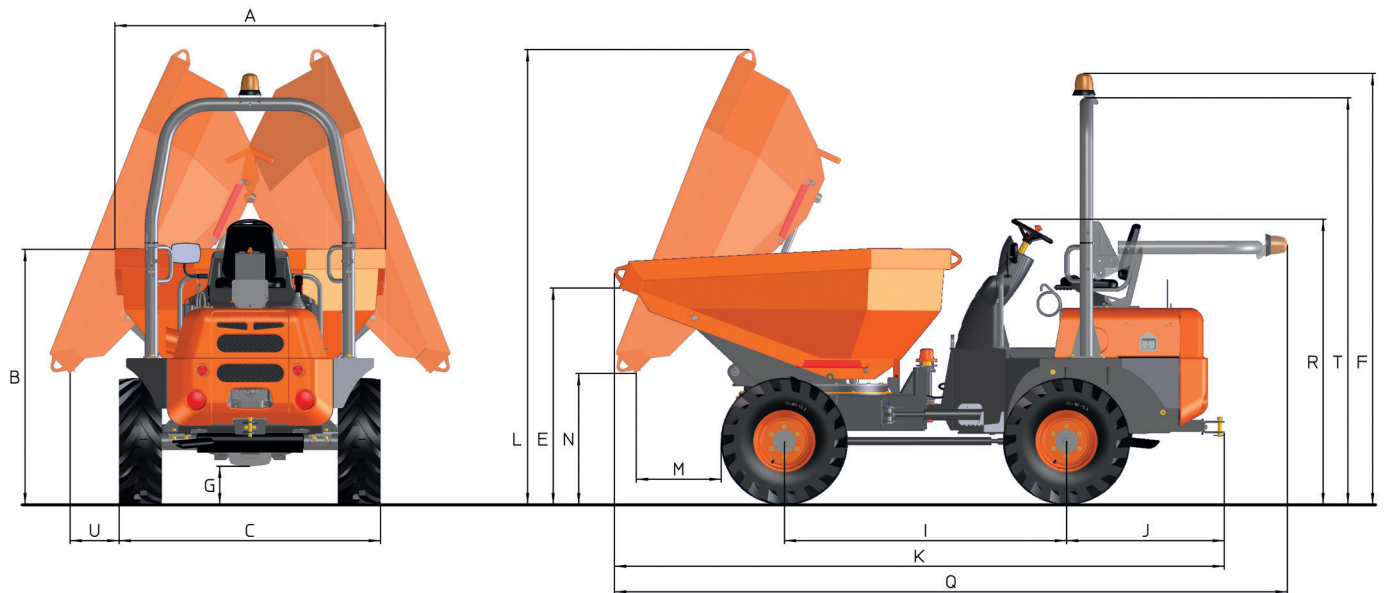




TECHNICAL DATA

GENERAL		D 250 AHG M654
Unloading system		Rotating
Load capacity	Kg	2500
Chassis		Articulated and oscillating
Water hopper capacity	l	720
Level hopper capacity	l	1330
Heaped hopper capacity	l	1560
Empty weight	Kg	2650
Transmission		2-speed hydrostatic
ENGINE		
Brand		KUBOTA
Model		V2403M-E3B
Power	kW	36.5
Operating speed	rpm	2700
Torque	Nm@rpm	160@1600
No. of cylinders		4
Emissions		Stage IIIA - EPA Tier 4i
Noise	dB(A)	101
Consumption	l/h	7,9
CO ₂	Kg/h	21
DRIVING		
Max. speed	Km/h	21
Maximum gradient	%	70
External turning radius	mm	4300
Traction		4x4
Tyres		10.0/75-15.3
HYDRAULIC SYSTEM		
Hydraulic circuit		12 cc gear pump
Working pressure	bar	170
TANK CAPACITY		
Fuel	l	44
Hydraulic system	l	40
BRAKES		
Service		Sealed brakes with multiple discs in oil. Hydraulic drive
Parking		Sealed brakes with multiple discs in oil. Mechanical drive

DIMENSIONS



DIMENSIONS (mm)	D 250 AHG
A	1503
B	1694
C	1770
E	1380
F	2905
G	230
I	1960
J	1040
K	4035
L	3080
M	565
N	970
Q	4465
R	1909
T	2740
U	285



www.ausa.com

Products are subject to modifications without prior notice. Images throughout the spec sheet may refer to non-standard machines or non-available configurations depending on models.

AUSA's logo and corporate identity are property of the Company, they cannot be used without authorization.