



Rigid Dumper

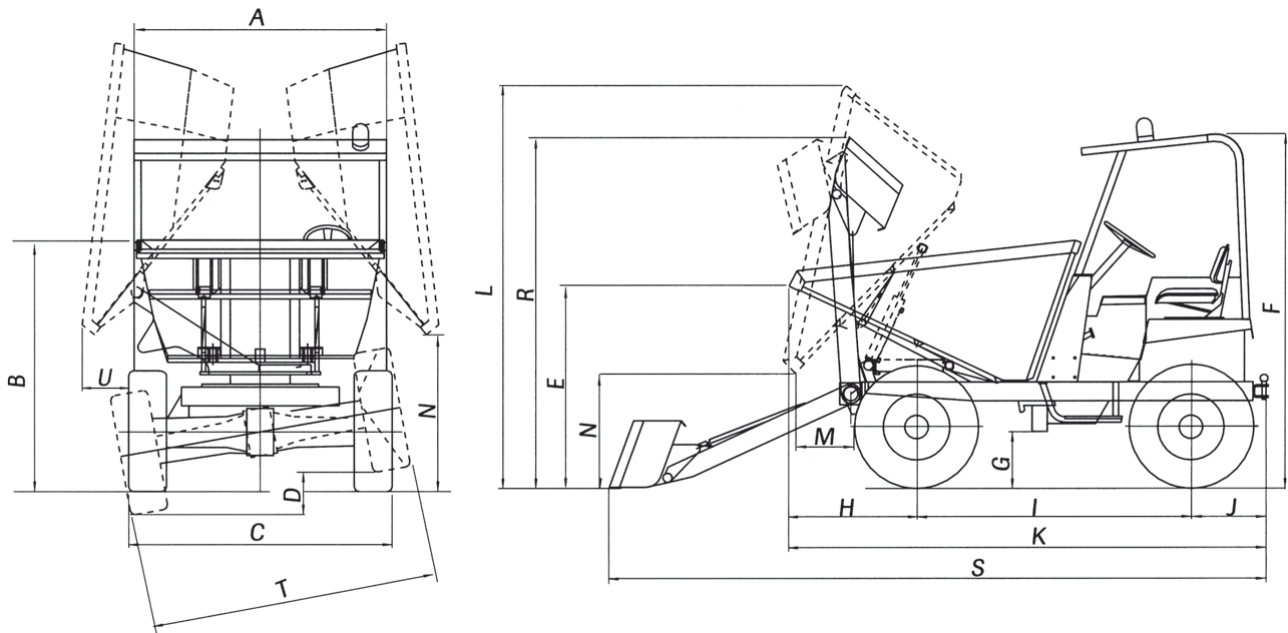
D 250 RMS D 250 RHGS



TECHNICAL DATA

		D 250 RMS M153	D 250 RHGS M558
GENERAL			
Unloading system		Frontal	Rotating
Load capacity	Kg	2500	2500
Chassis		Rigid	Rigid
Water hopper capacity	l	900	850
Level hopper capacity	l	1315	950
Heaped hopper capacity	l	1500	1200
Empty weight	Kg	2170	2170
Transmission		Mechanical 4+4	Hydrostatic
ENGINE			
Brand		LOMBARDINI	ISUZU
Model		9LD 626/2B2 NR	4LE2
Power	kW	18.2	33,8
Operating speed	rpm	2800	2700
Torque	Nm@rpm	66@2000	134@2000
No. of cylinders		2	4
Emissions		-	Tier3i - Stage IIIA
Noise	dB(A)	101	101
Consumption	l/h	4,1	7,4
CO2	Kg/h	11	19
DRIVING			
Max. speed	Km/h	20	20
Maximum gradient	%	35%	42%
External turning radius	mm	4500	4500
Traction		4x4 permanent Compen® System	4x4 permanent Compen® System
Front tyres		10.0/75-15.3	10.0/75-15.3
Rear tyres		10.0/75-15.3	10.0/75-15.3
HYDRAULIC SYSTEM			
Hydraulic circuit		27	26
Working pressure	bar	150	150
TANK CAPACITY			
Fuel	l	40	40
Hydraulic system	l	30	30
BRAKES			
Service		Sealed multi-disc brakes	Hydraulic drum brake
Parking		Mecánico de tambor en piñón de ataque delantero	Mechanical drum brake, on front drive pinion

DIMENSIONS



DIMENSIONS (mm)	D 250 RMS	D 250 RHGS
A	1700	1520
B	1560	1605
C	1800	1800
D	200	200
E	1305	1445
F	2240	2240
G	350	350
H	807	842
I	1730	1730
J	500	500
K	3044	2980
L	2550	2885
M	417	452
N	720	1105
R	2100	2100
S	4174	4174
T	1700	1700
U	-	100



www.ausa.com

Products are subject to modifications without prior notice. Images throughout the spec sheet may refer to non-standard machines or non-available configurations depending on models.

AUSA's logo and corporate identity are property of the Company, they cannot be used without authorization.