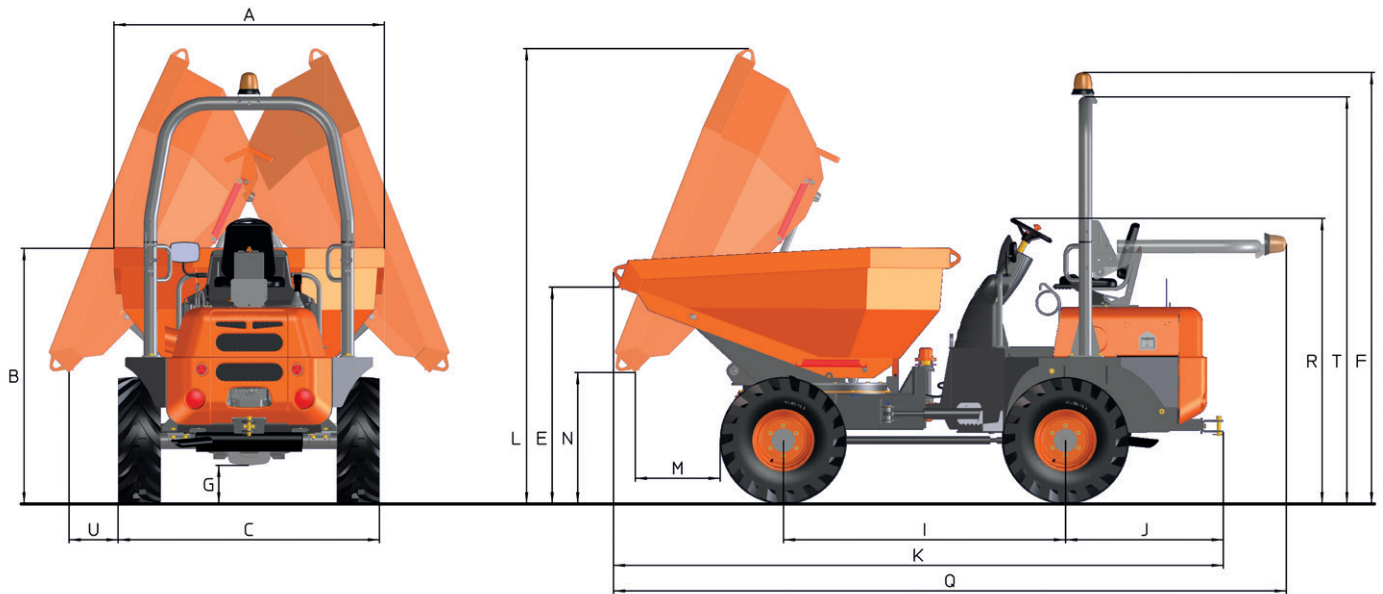




TECHNICAL DATA

		D 450 AHG M656
<b>GENERAL</b>		
Unloading system		Rotating
Load capacity	lb	9,900
Chassis		Articulated and oscillating
Water hopper capacity	cu yd	1.79
Level hopper capacity	cu yd	2.69
Heaped hopper capacity	cu yd	3.49
Empty weight	lb	6,400
Transmission		2-speed hydrostatic
<b>ENGINE</b>		
Brand		KUBOTA
Model		V2403M-E3B
Power	hp	49
Operating speed	rpm	2700
Torque	Nm@rpm	160@1600
No. of cylinders		4
Emissions		Stage IIIA - EPA Tier 4i
Noise	dB(A)	101
Consumption	gal/h	2.1
CO <sub>2</sub>	lb/h	46.3
<b>DRIVING</b>		
Max. speed	mph	13
Maximum gradient	%	39
External turning radius	in	186
Traction		4x4
Tyres		12.0/75-18
<b>HYDRAULIC SYSTEM</b>		
Hydraulic circuit		0.73 cu in gear pump
Working pressure	psi	2,610
<b>TANK CAPACITY</b>		
Fuel	gal	11.6
Hydraulic system	gal	10.5
<b>BRAKES</b>		
Service		Sealed brakes with multiple discs in oil. Hydraulic drive
Parking		Sealed brakes with multiple discs in oil. Mechanical drive

## DIMENSIONS



### DIMENSIONS (in)

### D 450 AHG

DIMENSIONS (in)	D 450 AHG
A	73.5
B	72.4
C	73.4
E	61.2
F	115.5
G	10.2
I	77.2
J	40.9
K	173
L	124
M	30.3
N	28.9
Q	189.7
R	76.2
T	108.8
U	20.3



[www.ausa.com](http://www.ausa.com)

Products are subject to modifications without prior notice. Images throughout the spec sheet may refer to non-standard machines or non-available configurations depending on models.

AUSA's logo and corporate identity are property of the Company, they cannot be used without authorization.