



D 600 AP D 600 APG

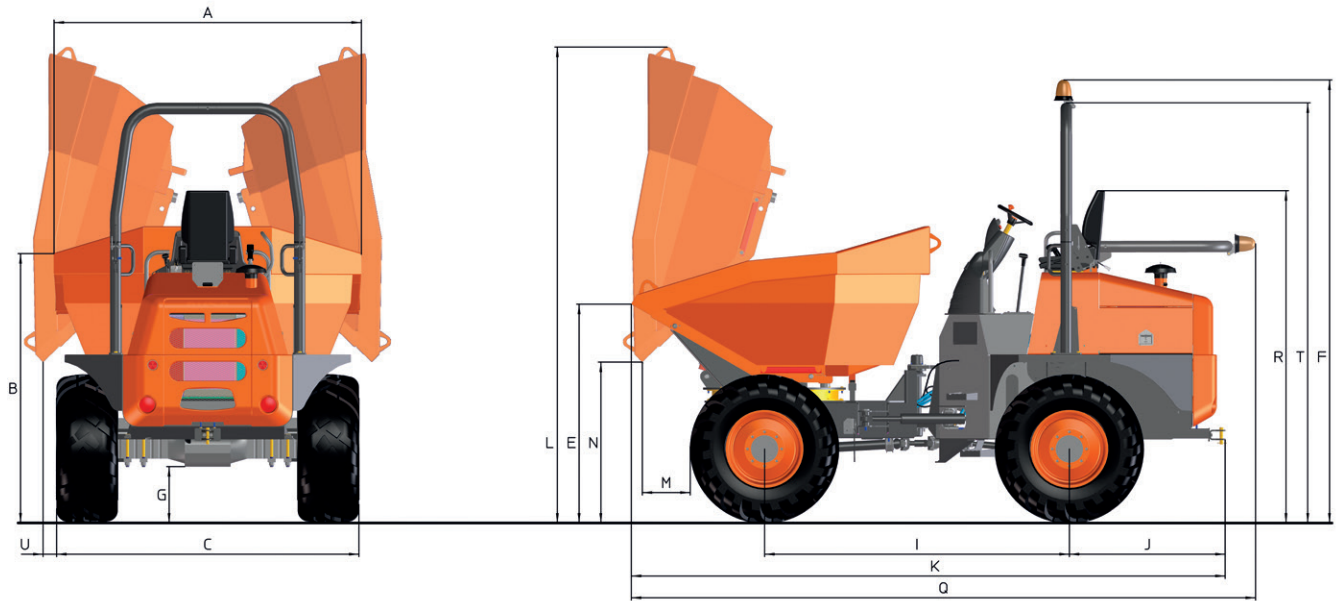


TECHNICAL DATA

GENERAL		D 600 AP M6413	D 600 AP PLUS M6411/M6410	D 600 APG M6403	D 600 APG PLUS M6401/M6400
Unloading system	-	Frontal	Frontal	Rotating	Rotating
Load capacity	lb	13,200	13,200	13,200	13,200
Chassis	-	Articulated and oscillating	Articulated and oscillating	Articulated and oscillating	Articulated and oscillating
Water hopper capacity	cu yd	2.55	2.55	2.05	2.05
Level hopper capacity	cu yd	3.47	3.47	3.09	3.09
Heaped hopper capacity	cu yd	4.30	4.30	4.09	4.09
Empty weight	lb	9,260	9,260	9,660	9,660
Transmission	-	Torque converter	Torque converter	Torque converter	Torque converter
ENGINE					
Brand	-	DEUTZ	DEUTZ / KUBOTA	DEUTZ	DEUTZ / KUBOTA
Model	-	TD3.6 L4	TD3.6 L4 / V3800CR-TE4B	TD3.6 L4	TD3.6 L4 / V3800CR-TE4B
Power	hp	74	74 / 112	74	74 / 112
Operating speed	rpm	2200	2200 / 2600	2200	2200 / 2600
Torque	Nm@rpm	330@1600	330@1600 / 375@1500	330@1600	330@1600 / 375@1500
No. of cylinders	-	4	4	4	4
Emissions	-	T4F, StagellIB	T4F, StagellIB / T4i, StagellIB	T4F, StagellIB	T4F, StagellIB / T4i, StagellIB
Noise	dB(A)	101	103	101	103
Consumption	gal/h	3.6	3.6 / 4.6	3.6	3.6 / 4.6
CO ₂	lb/h	79.4	79.4 / 99.2	79.4	79.4 / 99.2
DRIVING					
Max. speed	mph	20/21	20/21	20/21	20/21
Maximum gradient	%	60	60	60	60
External turning radius	in	232/289*	232/289*	224/283*	224/283*
Traction	-	4x4	4x4	4x4	4x4
Tyres	-	405/70-20	405/70-20	405/70-20	405/70-20
HYDRAULIC SYSTEM					
Hydraulic circuit	-	1.53 cu in gear pump	1.53 cu in gear pump	1.53 cu in gear pump	1.53 cu in gear pump
Working pressure	psi	2,465	2,465	2,465	2,465
TANK CAPACITY					
Fuel	gal	17	17	17	17
Hydraulic system	gal	17	17	17	17
BRAKES					
Service	-	Sealed brakes	Sealed brakes	Sealed brakes	Sealed brakes
Parking	-	Sealed brakes	Sealed brakes	Sealed brakes	Sealed brakes

* With closed cab

DIMENSIONS



DIMENSIONS (in)	D 600 AP	D 600 AP PLUS	D 600 APG	D 600 APG PLUS
A	90.4	90.4	84.3	84.3
B	75.6	75.6	81.9	81.9
C	85.4	85.4	85.4	85.4
E	64.4	64.4	66.1	66.1
F	123.2	123.2	123.2	123.2
G	16.9	16.9	16.9	16.9
I	96.5	96.5	96.5	96.5
J	46.7	46.7	46.7	46.7
K	178.1	178.1	182.7	182.7
L	124	124	140.7	140.7
M	25.6	25.6	15.4	15.4
N	16.1	16.1	46.5	46.5
Q	180.3	180.3	184.8	184.8
R	84.4	84.4	84.4	84.4
T	116.7 (112.2*)	116.7 (112.2*)	116.7 (112.2*)	116.7 (112.2*)
U	-	-	2.0	2.0

* With closed cab



www.ausa.com

Products are subject to modifications without prior notice. Images throughout the spec sheet may refer to non-standard machines or non-available configurations depending on models.

AUSA's logo and corporate identity are property of the Company, they cannot be used without authorization.