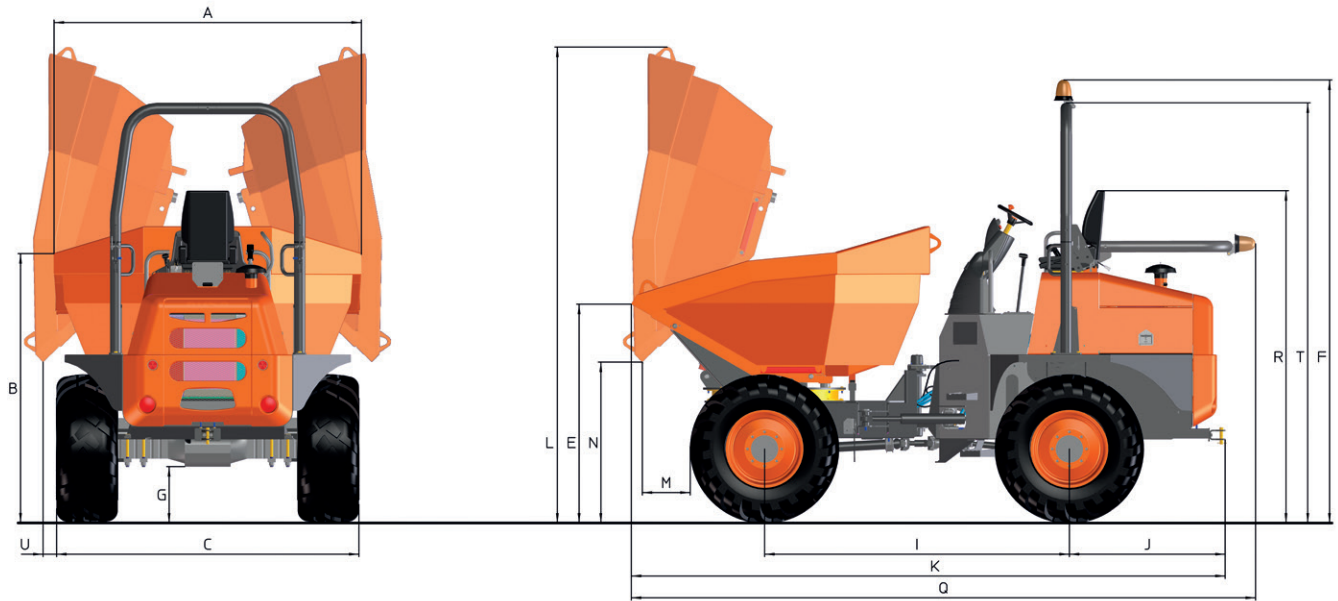




TECHNICAL DATA

		D 601 AHG M6413
<b>GENERAL</b>		
Unloading system	-	Rotating
Load capacity	lb	13,200
Chassis	-	Articulated and oscillating
Water hopper capacity	cu yd	2.17
Level hopper capacity	cu yd	3.21
Heaped hopper capacity	cu yd	4.12
Empty weight	lb	9,898
Transmission	-	Hydrostatic
<b>ENGINE</b>		
Brand	-	DEUTZ
Model	-	TD3.6 L4
Power	hp	74
Operating speed	rpm	2200
Torque	Nm@rpm	330@1600
No. of cylinders	-	4
Emissions	-	T4F, StageIIIB
Noise	dB(A)	101
Consumption	gal/h	3,43
CO <sub>2</sub>	lb/h	75
<b>DRIVING</b>		
Max. speed	mph	15.5
Maximum gradient	%	45
External turning radius	in	232
Traction	-	4x4
Tyres	-	405/70-20" (16.0/70-20)
<b>HYDRAULIC SYSTEM</b>		
Hydraulic circuit	-	1.37 cu in gear pump
Working pressure	psi	2,610
<b>TANK CAPACITY</b>		
Fuel	gal	18.2
Hydraulic system	gal	15.8
<b>BRAKES</b>		
Service	-	Sealed brakes
Parking	-	Sealed brakes

## DIMENSIONS



DIMENSIONS (in)	D 601 AHG
A	86.5
B	82.8
C	86.8
E	68.3
F	135
G	14.5
I	98
J	52.7
K	193.3
L	143
M	22.6
N	47.7
Q	213.1
R	87.8
T	128.2
U	4



[www.ausa.com](http://www.ausa.com)

Products are subject to modifications without prior notice. Images throughout the spec sheet may refer to non-standard machines or non-available configurations depending on models.

AUSA's logo and corporate identity are property of the Company, they cannot be used without authorization.