



Telehandler

T 144 H PLUS

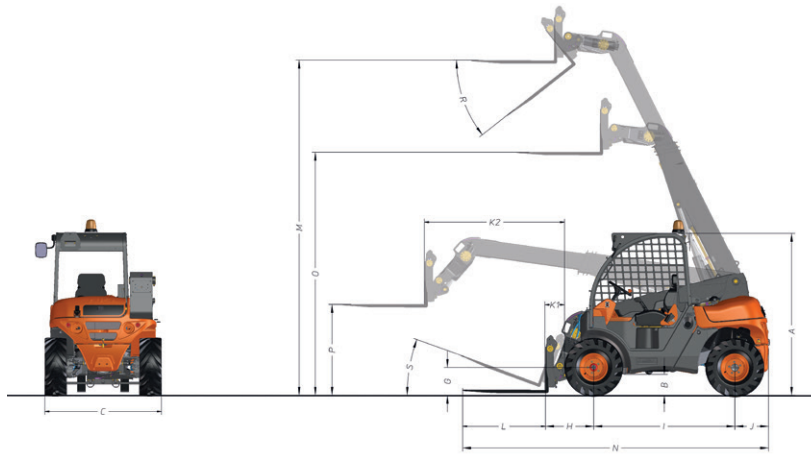


TECHNICAL DATA

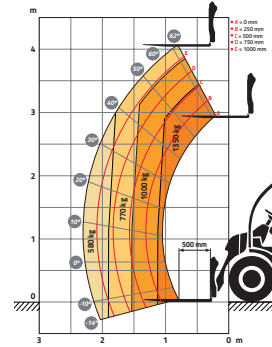
GENERAL		T 144 H PLUS
Load capacity	lb	3,000
Load capacity at maximum height	lb	1,700
Maximum height	ft	13.1
Maximum height under maximum load	ft	11.4
Maximum reach	ft	5.51
Maximum load at maximum reach	lb	1,279
Unladen weight *	lb	5,300
Transmission	-	Hydrostatic auto control
ENGINE		
Make	-	KUBOTA
Model	-	V1505-E4B
Power	hp	24.8
Torque	Nm@rpm	92,6@1,700
No. cylinders	-	4
Emissions	-	Stage V / EPA Tier4
Ambient noise	dB(A)	103
DRIVING		
Maximum speed	mph	10.5
Gradeability under full load	%	26
Traction	-	4x4
Front tyres	-	11.0/65x12
Rear tyres	-	11.0/65x12
HYDRAULIC SYSTEM		
Flow rate	gal/min	5
Working pressure	psi	3,480
TANK CAPACITY		
Fuel	gal	14.5
Hydraulic	gal	8.4
FRENOS		
Service	-	Hydrostatic - Retention
Parking	-	Mechanically applied hydraulically released inside the hydrostatic motor

* It may change due to optional equipment

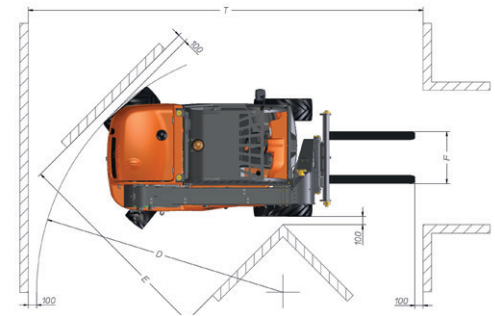
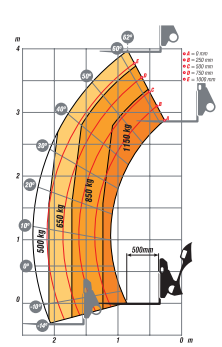
DIMENSIONS



AUSA carriage



Universal & EURO8 carriage



DIMENSIONS (in)

T 144 H PLUS

A	76.77
B	9.92
C	55.31
D	117.40
E	97.67
F	39.96
G	13.18
H	22.83
I	66.92
J	15.94
K1	8.97
K2	66.22
L	39.37
M	158.89
N	145.07
O	115.27
P	43.07
R	38°
S	20°
T	186.22



www.ausa.com

Products are subject to modifications without prior notice. Images throughout the spec sheet may refer to non-standard machines or non-available configurations depending on models.

AUSA's logo and corporate identity are property of the Company, they cannot be used without authorization.