



Telehandler

T 235 H



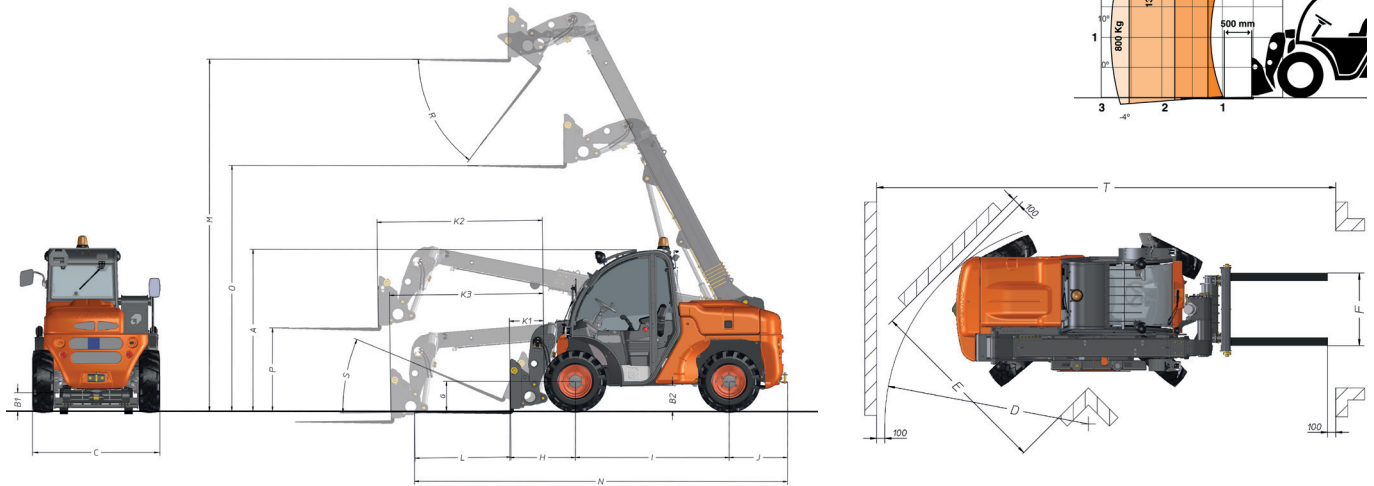
TECHNICAL DATA

		T 235 H M321
GENERAL		
Load capacity	lb	5,000
Load capacity at maximum height	lb	3,970
Maximum height	ft	16.4
Maximum height under maximum load	ft	14.76
Maximum reach	ft	9.37
Maximum load at maximum reach	lb	1,800
Unladen weight *	lb	10,360
Transmission	-	Hydrostatic auto. control
ENGINE		
Make	-	KUBOTA
Model	-	V-2403
Power	hp	48.9
Torque	Nm@rpm	160@1,600
No. cylinders	-	4
Emissions	-	Stage IIIA - Tier 4i
Ambient noise	dB(A)	101
Consumption	gal/h	2.16
CO2	lb/h	46.3
DRIVING		
Maximum speed	mph	14.9
Gradeability under full load	%	44
Traction	-	4x4x4
Front tyres	-	10/75-15.3
Rear tyres	-	10/75-15.3
HYDRAULIC SYSTEM		
Flow rate	gal/min	14.7
Working pressure	psi	3,480
TANK CAPACITY		
Fuel	gal	17.2
Hydraulic	gal	18.5
FRENOS		
Service	-	Hydraulic - Disc
Parking	-	Mechanical

* It may change due to optional equipment

DIMENSIONS

AUSA carriage



DIMENSIONS (in)

T 235 H

DIMENSIONS (in)	T 235 H
A	29.21
B1	8.81
B2	12.20
C	62.40
D	113.26
E	90.90
F	39.96
G	14.09
H	37.20
I	75.78
J	31.88
K1	69.29
K2	92.83
K3	87.87
L	47.24
M	195.90
N	192.12
O	133.70
P	35.86
R	43°
S	24°
T	231.88



www.ausa.com

Products are subject to modifications without prior notice. Images throughout the spec sheet may refer to non-standard machines or non-available configurations depending on models.

AUSA's logo and corporate identity are property of the Company, they cannot be used without authorization.