



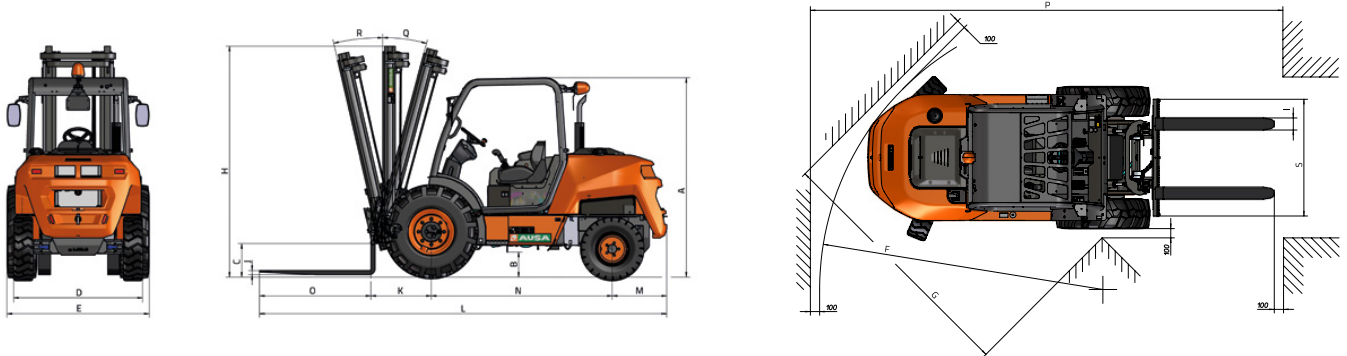
## TECHNICAL DATA

GENERAL		C 251 H x4
Load capacity to 500 mm	kg	2500
Load capacity to 600 mm	kg	2275
Unladen weight *	kg	4270
Transmission	-	Hydrostatic
MAST		
Fork carriage	-	FEM 2
Carriage width	mm	1260/1660
ENGINE		
Make	-	KUBOTA
Model	-	V2403-M
Power	kW	36
Operating speed	rpm	2600
Torque	N·m@rpm	158,6@1600
No. cylinders	-	4
Emissions	-	Stage IIIA, EPA Tier 3
Ambient noise	dB(A)	104
DRIVING		
Max. speed	km/h	22
Gradability	%	38
Traction	-	4x4 FullGrip®
Front tyres	-	12.5/80-18
Rear tyres	-	10.0/75-15.3
HYDRAULIC SYSTEM		
Hydraulic circuit	-	Two gears pump
Flow rate	l/min	50
Working pressure	bar	210
TANK CAPACITY		
Fuel	l	62
Hydraulic	l	51
BRAKES		
Service	-	Hydraulic, multi-disc and sealed
Parking	-	Negativ, multi-disc and sealed

\* It may change due to optional equipment

## DIMENSIONS

TYPE OF MAST	Maximum lift (mm)	H		Free lift (mm)	Load at maximum height @ 500 mm (kg)	
		Retracted mast height (mm)	Extended mast height (mm)		All-terrain use Narrow axle	Wide axle
Duplex mast (Std.)	3300	2460	4220	120	2500	-
Triplex mast	3700	2120	4670	1130	1740	-
Triplex mast	4300	2300	5300	1330	-	2155
Triplex mast	5400	2690	6370	1680	-	1500



DIMENSIONS (mm)	C 251 H x4
A	2150
B	275
C	334
D	1547
E	1520
E**	1780
F	4120
G	2891
I	130
J	45
K	650
L	4385
M	585
N	1950
O	1200
P	6400
S	1260
S***	1600
DIMENSIONS (°)	
Q	14
R	11

\*\* Measured with high-lift mast installed      \*\*\* Measured for wide axle carriage



[www.ausa.com](http://www.ausa.com)

Products are subject to modifications without prior notice. Images throughout the spec sheet may refer to non-standard machines or non-available configurations depending on models.

AUSA's logo and corporate identity are property of the Company, they cannot be used without authorization.