



Articulated Dumper

D101AHA D101AHG

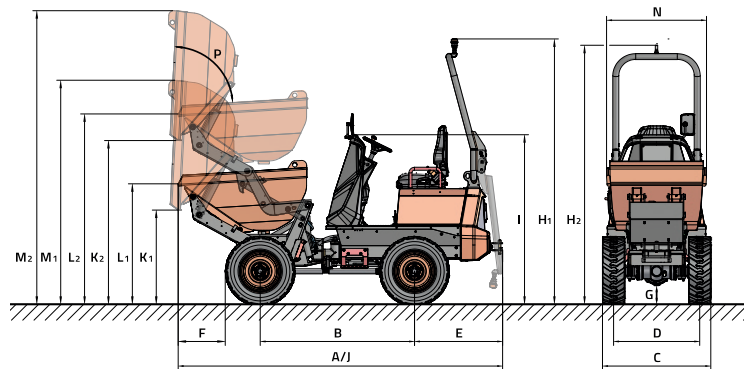


TECHNICAL DATA

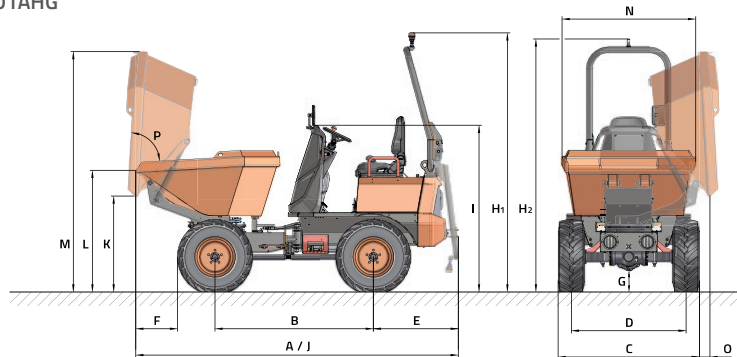
GENERAL		D101AHA	D101AHA COMPACT	D101AHG
Unloading system	-	High tip	High tip	Swivel tip
Load capacity	lb	2,200	2,200	2,200
Chassis	-	Articulated	Articulated	Articulated
Water hopper capacity	cu yd	0.45	0.45	0.42
Level hopper capacity	cu yd	0.52	0.52	0.51
Heaped hopper capacity	cu yd	0.74	0.74	0.71
Empty weight	lb	3,230	3,230	-
Transmission	-	Hydrostatic	Hydrostatic	Hydrostatic
ENGINE				
Brand	-	KUBOTA	KUBOTA	KUBOTA
Model	-	D1105-E4B	D1105-E4B	D1105-E4B
Power	hp	20.6	20.6	20.6
Operating speed	rpm	2,400	2,400	2,400
Torque	N·m@rpm	70.3@1600	70.3@1600	70.3@1600
No. of cylinders	-	3	3	3
Emissions	-	Stage V - EPA Tier 4	Stage V - EPA Tier 4	Stage V - EPA Tier 4
Noise	dB(A)	-	-	-
DRIVING				
Max. speed	mph	9	9	9
Maximum gradient	%	-	-	-
External turning radius	in	118	118	118
Traction	-	4WD	4WD	4WD
Tyres	-	27x8.5-15"	6.5/80-12	27x8.5-15"
HYDRAULIC SYSTEM				
Main pump	-	0.5 cu in gear pump	0.5 cu in gear pump	0.5 cu in gear pump
Flow rate	gal/min	5.5	5.5	5.5
Working pressure	psi	2,175	2,175	2,175
TANK CAPACITY				
Fuel	gal	9.9	9.9	9.9
Hydraulic system	gal	6.5	6.5	6.5
BRAKES				
Service	-	Hydrostatic, retention	Hydrostatic, retention	Hydrostatic, retention
Parking	-	Negative brake and electro-hydraulic release	Negative brake and electro-hydraulic release	Negative brake and electro-hydraulic release

DIMENSIONS

D101AHA /COMPACT



D101AHG



DIMENSIONS (in)	D101AHA COMPACT		D101AHA		D101AHG	
A	128.3		128.3		132.3	
B	59.0		59.0		59.0	
C	39.0		42.9		42.9	
D	32.0		34.0		34.0	
E	36.8		36.8		36.8	
F	20.8		19.7		23.6	
G	5.7		7.3		7.3	
H	104.0	101.5	105.5	103.1	105.5	103.1
I	66.1		67.7		67.7	
J	128.3		128.3		132.3	
K	35.0	62.6	37.0	64.5	37.8	
L	45.6	73.2	47.6	75.2	48.4	
M	87.8	115.3	89.0	116.5	93.7	
N	39.4		39.4		39.4	
O	-		-		12.4	
DIMENSIONS (°)						
P	83		83		83	
	1 ▲	▲ 2	1 ▲	▲ 2	1 ▲	▲ 2



www.ausa.com

Products are subject to modifications without prior notice. Images throughout the spec sheet may refer to non-standard machines or non-available configurations depending on models.

AUSA's logo and corporate identity are property of the Company, they cannot be used without authorization.