



*Rigid Dumper*

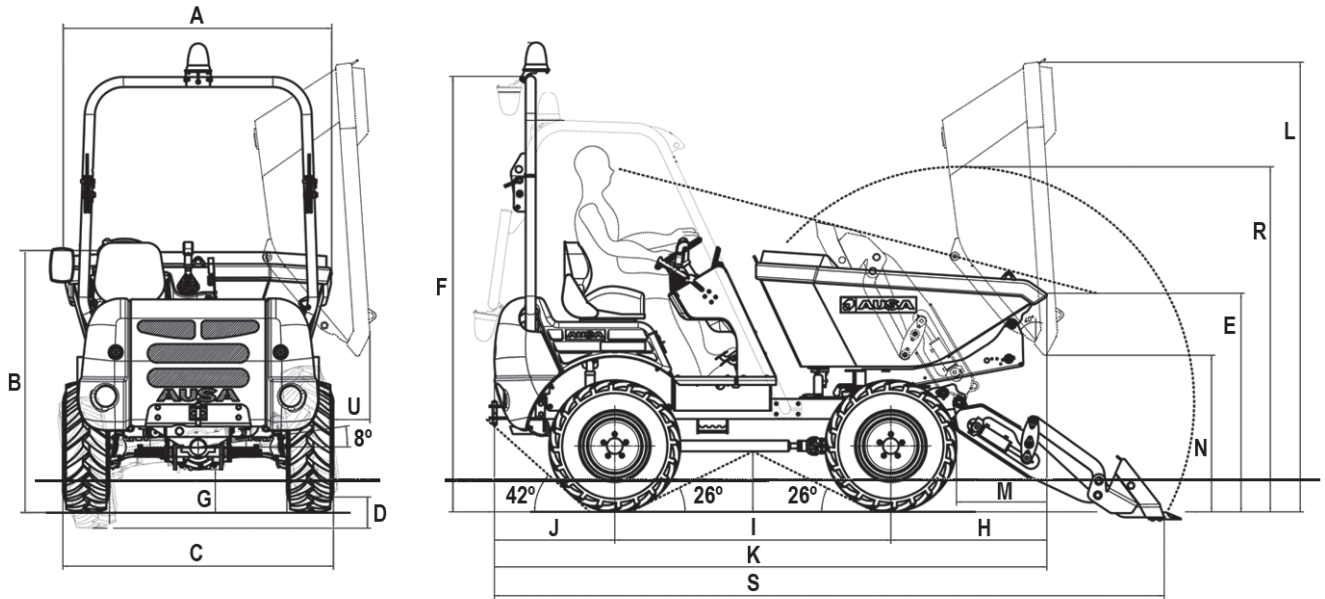
# D 201 RHS D 201 RHGS



## TECHNICAL DATA

GENERAL		D 201 RHS	D 201 RHGS
Unloading system		Frontal	Rotating
Load capacity	Kg	2000	2000
Chassis		Rigid	Rigid
Water hopper capacity	l	700	650
Level hopper capacity	l	960	930
Heaped hopper capacity	l	1250	1230
Empty weight	Kg	1900	2100
Transmission		Hydrostatic, 2-speed	Hydrostatic, 2-speed
<b>ENGINE</b>			
Brand		KUBOTA	KUBOTA
Model		V1505-E4B	V1505-E4B
Power	kW	18.5@2300	18.5@2300
Operating speed	rpm	2500	2500
Torque	N-m@rpm	92,6@1700	92,6@1700
No. of cylinders		4	4
Emissions		Stage V - EPA Tier4	Stage V - EPA Tier4
CO2	dB(A)	101	101
<b>DRIVING</b>			
Max. speed	Km/h	18	18
Maximum gradient	%	35	35
External turning radius	mm	4190	4190
Traction		4x4 permanent Compen® System	4x4 permanent Compen® System
Front tyres		10.0/75-15.3	10.0/75-15.3
Rear tyres		10.0/75-15.3	10.0/75-15.3
<b>HYDRAULIC SYSTEM</b>			
Flow rate	l/min	18	18
Working pressure		180	180
<b>TANK CAPACITY</b>			
Fuel	l	40	40
Hydraulic system		40	40
<b>BRAKES</b>			
Service	Fully sealed, with oil-immersed multi-disc brakes		Fully sealed, with oil-immersed multi-disc brakes
Parking	Fully sealed, with oil-immersed multi-disc brakes		Fully sealed, with oil-immersed multi-disc brakes

## DIMENSIONS



DIMENSIONS (mm)	D 201 RHS	D 201 RHGS
A	1565	1540
B	1445	1545
C	1750	1750
D	185	185
E	1195	1295
F	2580	2580
G	255	255
H	885	925
I	1640	1640
J	715	715
K	3020	3280
L	2245	2665
M	275	535
N	570	930
R	2045	2045
S	3980	3980
T	1590	1590
U	-	215



[www.ausa.com](http://www.ausa.com)

Products are subject to modifications without prior notice. Images throughout the spec sheet may refer to non-standard machines or non-available configurations depending on models.

AUSA's logo and corporate identity are property of the Company, they cannot be used without authorization.