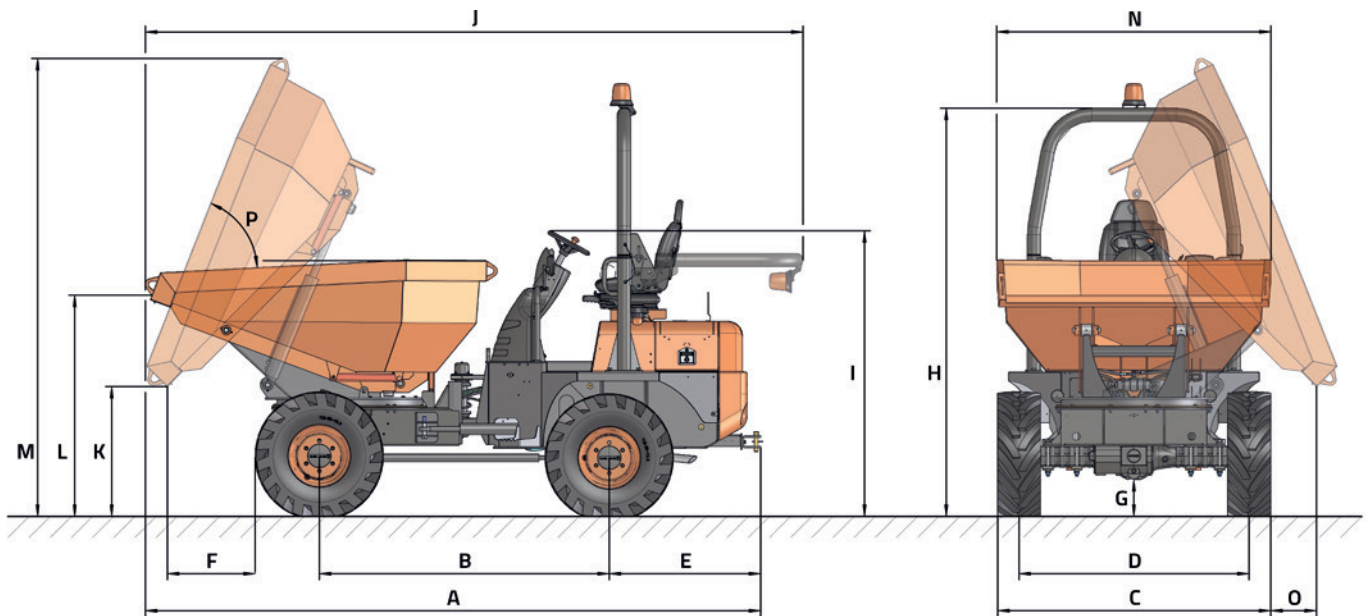




## TECHNICAL DATA

GENERAL		D 350 AHG
Unloading system	-	Rotating
Load capacity	kg	3500
Chassis	-	Articulated and oscillating
Water hopper capacity	l	1020
Level hopper capacity	l	1790
Heaped hopper capacity	l	2130
Empty weight	kg	2831
Transmission	-	Hydrostatic
<b>ENGINE</b>		
Brand	-	KUBOTA
Model	-	V2403M-E3B
Power	kW	36,5
Operating speed	rpm	2700
Torque	N-m@rpm	160@1600
No. of cylinders	-	4
Emissions	-	Stage IIIA, EPA Tier4i
Noise	dB(A)	101
<b>DRIVING</b>		
Max. speed	km/h	19
Maximum gradient	%	54
External turning radius	mm	4515
Traction	-	4x4
Tyres	-	11.5/80-15.3
<b>HYDRAULIC SYSTEM</b>		
Hydraulic circuit		12 cc gear pump
Flow rate	l/min	31,2
Working pressure	bar	170
<b>TANK CAPACITY</b>		
Fuel	l	44
Hydraulic system	l	40
<b>BRAKES</b>		
Service	-	Sealed brakes with multiple discs in oil. Hydraulic drive
Parking	-	Sealed brakes with multiple discs in oil. Mechanical drive

## DIMENSIONS



DIMENSIONS (mm)	D 350 AHG
A	4170
B	1960
C	1840
D	1555
E	1025
F	600
G	260
H	2770
I	1940
J	4450
K	870
L	1490
M	3090
N	1850
O	310
DIMENSIONS (°)	
P	65



[www.ausa.com](http://www.ausa.com)

Products are subject to modifications without prior notice. Images throughout the spec sheet may refer to non-standard machines or non-available configurations depending on models.

AUSA's logo and corporate identity are property of the Company, they cannot be used without authorization.