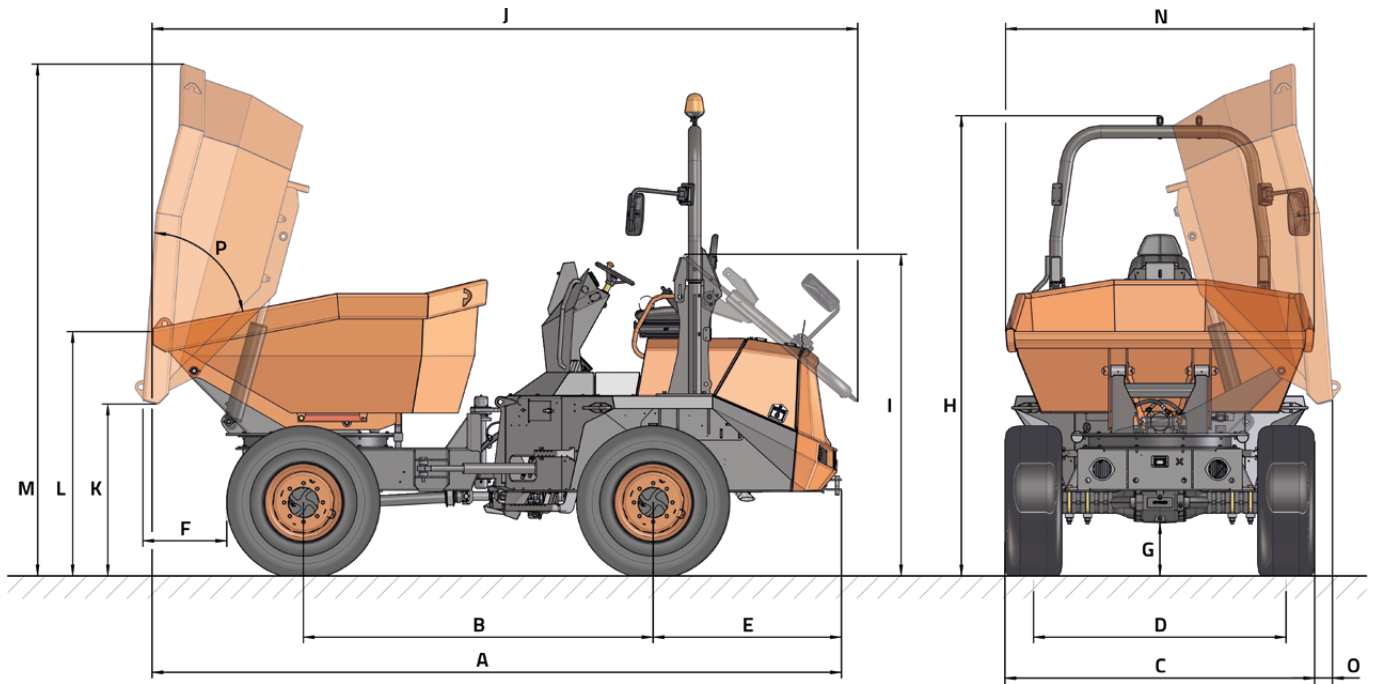




## TECHNICAL DATA

GENERAL		D 1001 APG
Unloading system	-	Rotating
Load capacity	kg	10000
Chassis	-	Articulated and oscillating
Water hopper capacity	l	1850
Level hopper capacity	l	3300
Heaped hopper capacity	l	3900
Empty weight	kg	5185
Transmission	-	Torque converter
<b>ENGINE</b>		
Brand	-	DEUTZ
Model	-	TCD 3.6 L4 HT
Power	kW	55,4
Operating speed	rpm	2200
Torque	N-m@rpm	390@1300
No. of cylinders	-	4
Emissions	-	Stage IIIB, EPA Tier 4f
Injection	-	Common Rail
Exhaust aftertreatment	-	DOC (diesel oxidation catalyst)
Noise	dB(A)	100,6
<b>DRIVING</b>		
Max. speed	km/h	25
Maximum gradient	%	45
External turning radius	mm	6287
Traction	-	4x4
Tyres	-	500/60-22.5
<b>HYDRAULIC SYSTEM</b>		
Hydraulic circuit	-	Double gear pump
Flow rate	l/min	46
Working pressure	bar	180
<b>TANK CAPACITY</b>		
Fuel	l	69
Hydraulic system	l	60
<b>BRAKES</b>		
Service	-	Sealed brakes. Hydraulic drive
Parking	-	Sealed brakes. Negative

## DIMENSIONS



DIMENSIONS (mm)		D 1001 APG
A		5020
B		2690
C		2410
D		1920
E		1340
F		485
G		410
H		3640 (3470*)
I		2560
J		5140
K		1260
L		1820
M		3830
N		2330
O		155
DIMENSIONS (°)		
P		75

\* With closed cab



[www.ausa.com](http://www.ausa.com)

Products are subject to modifications without prior notice. Images throughout the spec sheet may refer to non-standard machines or non-available configurations depending on models.

AUSA's logo and corporate identity are property of the Company, they cannot be used without authorization.