



Rigid Dumper

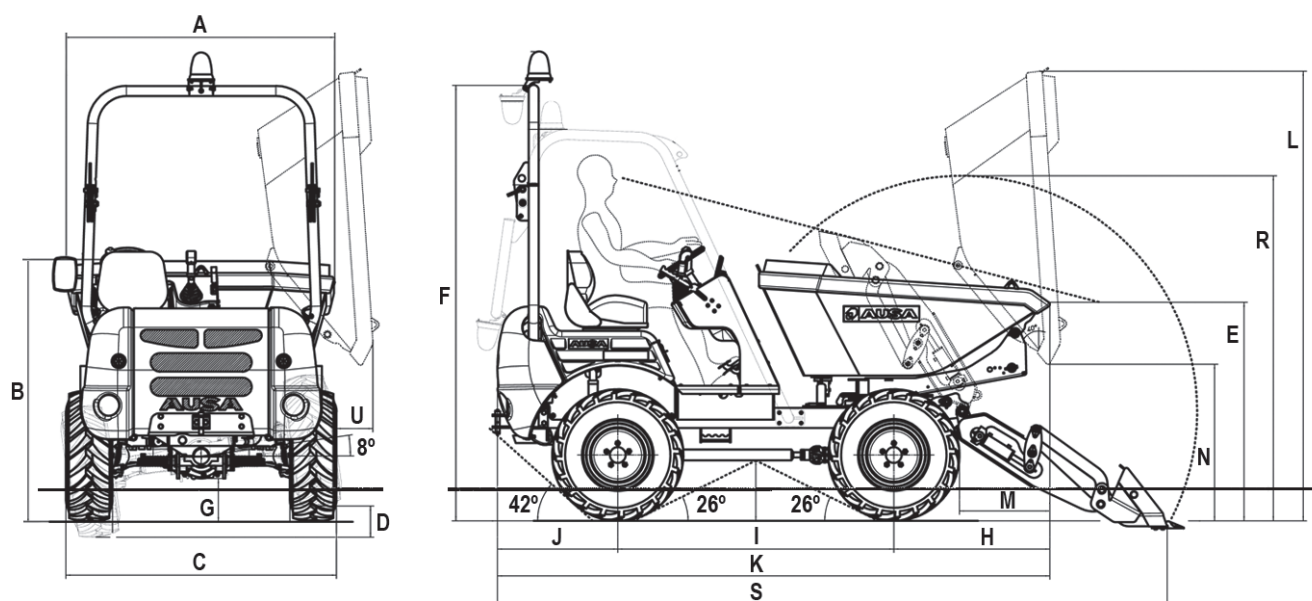
D 201 RHS
D 201 RHGS



TECHNICAL DATA

| GENERAL | | D 201 RHS | D 201 RHGS |
|-------------------------|---|------------------------------|---|
| Unloading system | | Frontal | Rotating |
| Load capacity | Kg | 2000 | 2000 |
| Chassis | | Rigid | Rigid |
| Water hopper capacity | l | 700 | 650 |
| Level hopper capacity | l | 960 | 930 |
| Heaped hopper capacity | l | 1250 | 1230 |
| Empty weight | Kg | 1900 | 2100 |
| Transmission | | Hydrostatic, 2-speed | Hydrostatic, 2-speed |
| ENGINE | | | |
| Brand | | KUBOTA | KUBOTA |
| Model | | V1505-E4B | V1505-E4B |
| Power | kW | 18.5@2300 | 18.5@2300 |
| Operating speed | rpm | 2500 | 2500 |
| Torque | N-m@rpm | 92,6@1700 | 92,6@1700 |
| No. of cylinders | | 4 | 4 |
| Emissions | | Stage V - EPA Tier4 | Stage V - EPA Tier4 |
| CO2 | dB(A) | 101 | 101 |
| DRIVING | | | |
| Max. speed | Km/h | 18 | 18 |
| Maximum gradient | % | 35 | 35 |
| External turning radius | mm | 4190 | 4190 |
| Traction | | 4x4 permanent Compen® System | 4x4 permanent Compen® System |
| Front tyres | | 10.0/75-15.3 | 10.0/75-15.3 |
| Rear tyres | | 10.0/75-15.3 | 10.0/75-15.3 |
| HYDRAULIC SYSTEM | | | |
| Flow rate | l/min | 18 | 18 |
| Working pressure | | 180 | 180 |
| TANK CAPACITY | | | |
| Fuel | | 40 | 40 |
| Hydraulic system | | 40 | 40 |
| BRAKES | | | |
| Service | Fully sealed, with oil-immersed multi-disc brakes | | Fully sealed, with oil-immersed multi-disc brakes |
| Parking | Fully sealed, with oil-immersed multi-disc brakes | | Fully sealed, with oil-immersed multi-disc brakes |

DIMENSIONS



| DIMENSIONS (mm) | D 201 RHS | D 201 RHGS |
|-----------------|-----------|------------|
| A | 1565 | 1540 |
| B | 1445 | 1545 |
| C | 1750 | 1750 |
| D | 185 | 185 |
| E | 1195 | 1295 |
| F | 2580 | 2580 |
| G | 255 | 255 |
| H | 885 | 925 |
| I | 1640 | 1640 |
| J | 715 | 715 |
| K | 3020 | 3280 |
| L | 2245 | 2665 |
| M | 275 | 535 |
| N | 570 | 930 |
| R | 2045 | 2045 |
| S | 3980 | 3980 |
| T | 1590 | 1590 |
| U | - | 215 |



www.ausa.com

Products are subject to modifications without prior notice. Images throughout the spec sheet may refer to non-standard machines or non-available configurations depending on models.

AUSA's logo and corporate identity are property of the Company, they cannot be used without authorization.