



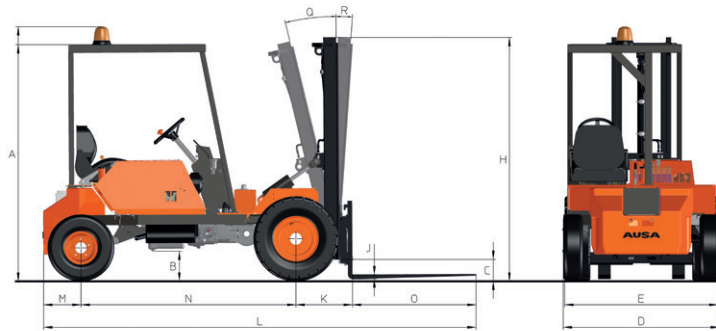
## TECHNICAL DATA

GENERAL		C 11 M
Load capacity to 500 mm	Kg	1200
Load capacity to 600 mm	Kg	1090
Unladen weight *	Kg	2160
Transmission		Mechanical
MAST		
Fork carriage		FEM 2
Carriage width	mm	1260
ENGINE		
Make		KUBOTA
Model		D902
Power	kW	12.1
Operating speed	rpm	2400
Torque	Nm@rpm	54,6@1900
No. cylinders		3
Emissions		EU Stage V - EPA/CARB Tier 4
Ambient noise	dB(A)	101
DRIVING		
Max. speed	Km/h	20
Gradability	%	35
Traction		4x2
Front tyres		7.00-12
Rear tyres		6.00-9
HYDRAULIC SYSTEM		
Hydraulic circuit	l/min	31
Working pressure	bar	180
TANK CAPACITY		
Fuel	l	25
Hydraulic	l	15
BRAKES		
Service		Hydraulic, drum on front axle
Parking		Mechanical, drum on front axle

\* It may change due to optional equipment

## DIMENSIONS

TYPE OF MAST	Maximum lift (mm)	H Retracted mast height (mm)	Extended mast height (mm)	Free lift (mm)	Load at maximum height (kg) All-terrain use
Duplex mast	2500	1890	3140	1270	920
Duplex mast (Std.)	2660	1980	3310	70	1200



DIMENSIONS (mm)	C 11 M
A	1900/2040*
B	240
C	225
D	1280
E	1240
E**	-
F	3250
G	2540
I	100
J	35
K	470
L	3515
M	315
N	1730
O	1000
P	4900
S	1260
DIMENSIONS (°)	
Q	13
R	5

\* with rotating beacon



[www.ausa.com](http://www.ausa.com)

Products are subject to modifications without prior notice. Images throughout the spec sheet may refer to non-standard machines or non-available configurations depending on models.

AUSA's logo and corporate identity are property of the Company, they cannot be used without authorization.

MKCAT.C11M.EU.ROW.0320EN