

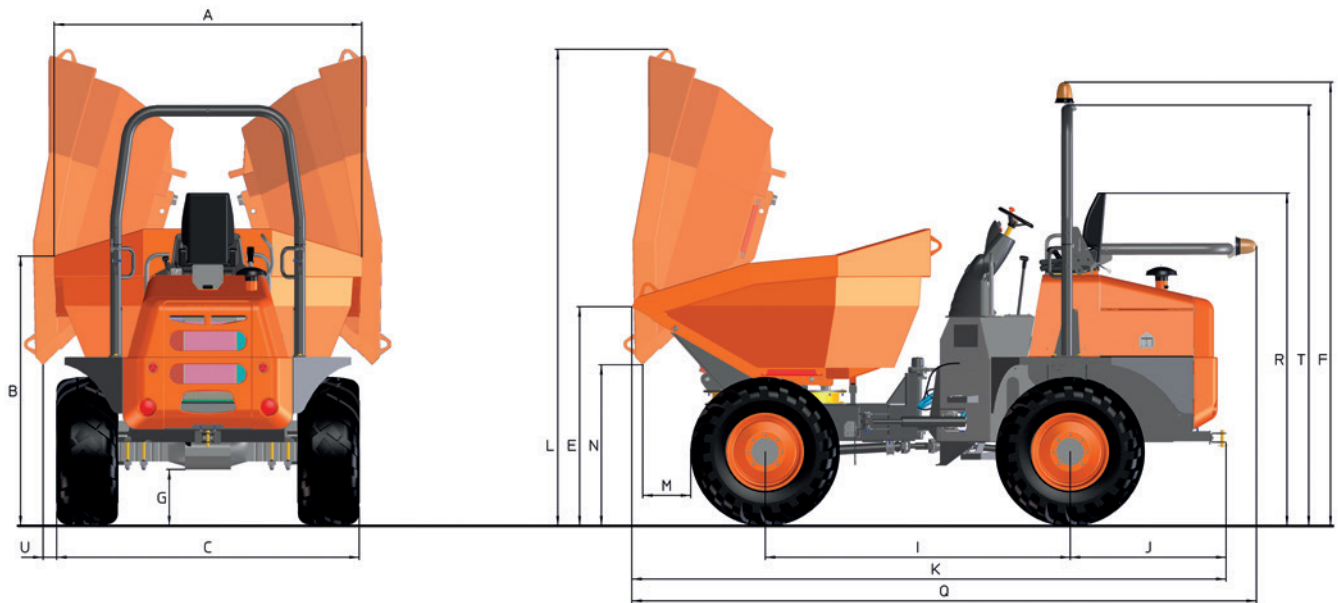


TECHNICAL DATA

GENERAL		D 600 APG
Unloading system	-	Rotating
Load capacity	kg	6000
Chassis	-	Articulated and oscillating
Water hopper capacity	l	1565
Level hopper capacity	l	2360
Heaped hopper capacity	l	3130
Empty weight	kg	4380
Transmission	-	Torque converter
ENGINE		
Brand	-	KUBOTA
Model	-	V3600-TE3B
Power	kW	63
Operating speed	rpm	2600
Torque	N·m@rpm	295@1600
No. of cylinders	-	4
Emissions	-	Stage IIIA - EPA Tier3
Noise	dB(A)	101
DRIVING		
Max. speed	km/h	34
Maximum gradient	%	60
External turning radius	mm	5700/7200*
Traction	-	4x4
Tyres	-	405/70-20
HYDRAULIC SYSTEM		
Hydraulic circuit	-	23,3 cc gear pump
Flow rate	l/min	60,6
Working pressure	bar	170
TANK CAPACITY		
Fuel	l	65
Hydraulic system	l	65
BRAKES		
Service	-	Sealed brakes. Hydraulic drive
Parking	-	Sealed brakes. Mechanical drive

* With closed cab

DIMENSIONS



DIMENSIONS (mm)	D 600 APG
A	2140
B	2080
C	2170
E	1680
F	3130
G	430
I	2450
J	1185
K	4640
L	3575
M	390
N	1180
Q	4695
R	2145
T	2965 (2850*)
U	50

* With closed cab



www.ausa.com

Products are subject to modifications without prior notice. Images throughout the spec sheet may refer to non-standard machines or non-available configurations depending on models.

AUSA's logo and corporate identity are property of the Company, they cannot be used without authorization.