



## Articulated Dumper

# D 120 AHA D 120 AHG

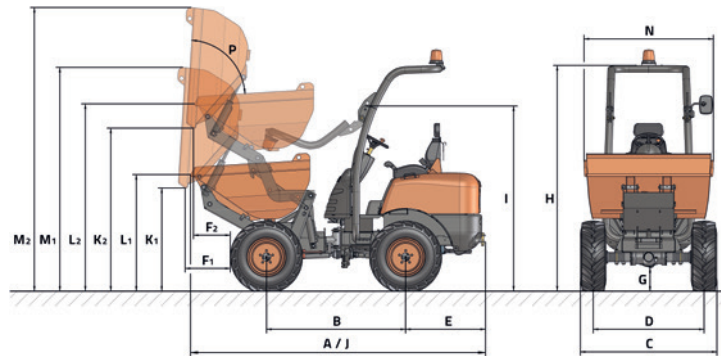


### TECHNICAL DATA

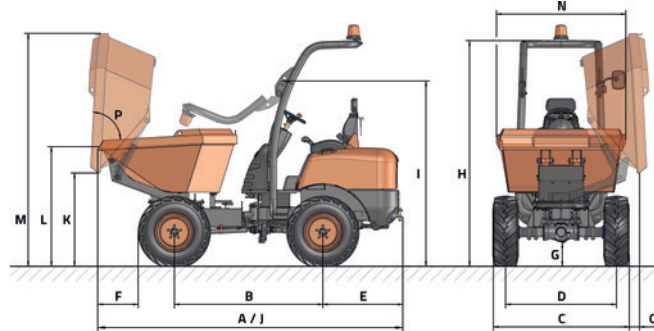
GENERAL		D 120 AHA	D 120 AHG
Unloading system	-	High	Rotating
Load capacity	Kg	1200	1200
Chassis	-	Articulated and oscillating	Articulated and oscillating
Water hopper capacity	l	425	415
Level hopper capacity	l	515	495
Heaped hopper capacity	l	700	695
Empty weight	Kg	1375	1375
Transmission	-	Hydrostatic	Hydrostatic
ENGINE			
Brand	-	KUBOTA	KUBOTA
Model	-	D1105-E4B	D1105-E4B
Power	kW	15,6	15,6
Operating speed	rpm	2400	2400
Torque	N·m@rpm	71.4@1600	71.4@1600
No. of cylinders	-	3	3
Emissions	-	Stage V, EPA Tier4	Stage V, EPA Tier4
Noise	dB(A)	101	101
DRIVING			
Max. speed	Km/h	17	17
Maximum gradient	%	48	48
External turning radius	mm	3125	3095
Traction	-	4x4	4x4
Tyres	-	10.0/75- 15.3"	10.0/75-15.3"
HYDRAULIC SYSTEM			
Hydraulic circuit	-	8 cc gear pump	8 cc gear pump
Flow rate	l/min	17,28	17,28
Working pressure	bar	180	180
TANK CAPACITY			
Fuel	l	23	23
Hydraulic system	l	21.2	21.2
BRAKES			
Service	-	Sealed brakes. Mechanical drive	Sealed brakes. Mechanical drive
Parking	-	Sealed brakes. Mechanical drive	Sealed brakes. Mechanical drive

# DIMENSIONS

D 120 AHA



D 120 AHG



DIMENSIONS (mm)	D 120 AHA		D 120 AHG
A	3200		3200
B	1500		1500
C	1210		1210
D	925		925
E	860		860
F	545	505	460
G	250		250
H	2440		2440
I	2000		2000
J	3200		3200
K	990	1750	1000
L	1270	2020	1270
M	2300	3050	2400
N	1200		1200
O	-		260
<b>DIMENSIONS (°)</b>			
P	83		83

1 ▲ | ▲ 2



[www.ausa.com](http://www.ausa.com)

Products are subject to modifications without prior notice. Images throughout the spec sheet may refer to non-standard machines or non-available configurations depending on models.

AUSA's logo and corporate identity are property of the Company, they cannot be used without authorization.