



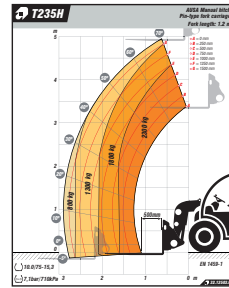
TECHNICAL DATA

| GENERAL | | T 235 H |
|---------------------------------|---------|---------------------|
| Load capacity | Kg | 2300 |
| Load capacity at maximum height | Kg | 1800 |
| Maximum lift | mm | 5000 |
| Maximum lift under maximum load | mm | 4300 |
| Maximum reach | mm | 2358 |
| Maximum load at maximum reach | Kg | 800 |
| Unladen weight * | Kg | 4700 |
| Transmission | - | 2-speed hydrostatic |
| ENGINE | | |
| Make | - | KUBOTA |
| Model | - | D1803-CR-T-E5B |
| Power | kW | 32,8 |
| Torque | N·m@rpm | 150,5@1500 |
| No. cylinders | - | 3 |
| Emissions | - | Stage V, Tier 4f |
| Ambient noise | dB(A) | 102 |
| DRIVING | | |
| Maximum speed | Km/h | 20 |
| Gradeability under full load | % | 42 |
| Traction | - | 4x4x4 |
| Front tyres | - | 10/75-15.3 |
| Rear tyres | - | 10/75-15.3 |
| HYDRAULIC SYSTEM | | |
| Flow rate | l/min | 51,8 / 17,28 |
| Working pressure | bar | 240 |
| TANK CAPACITY | | |
| Fuel | l | 65 |
| Hydraulic | l | 70 |
| BRAKES | | |
| Service | - | Hydraulic - disc |
| Parking | - | Mechanical |

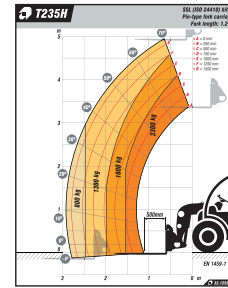
* It may change due to optional equipment

DIMENSIONS

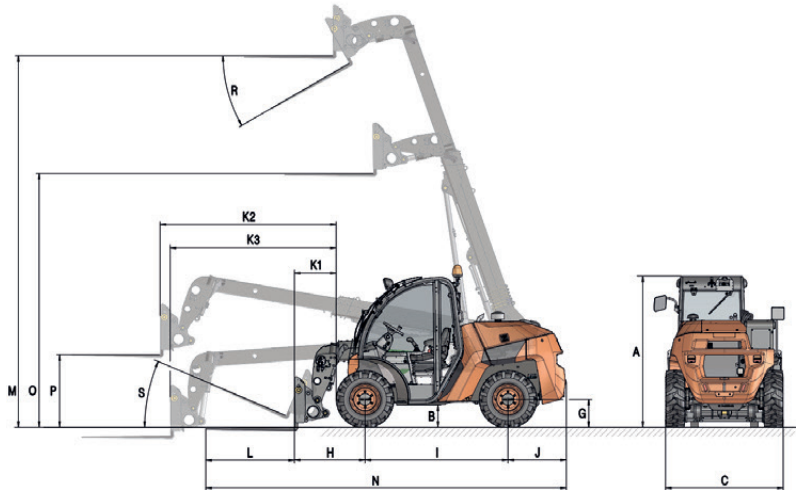
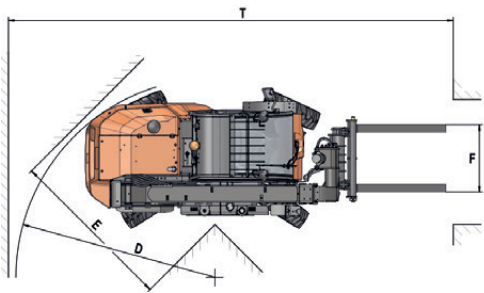
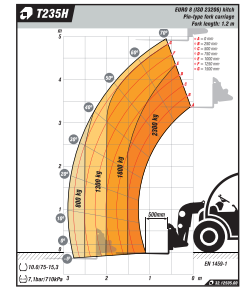
AUSA Carriage



Universal Carriage



EURO 8 Carriage



DIMENSIONS (mm)

T 235 H

| | | | |
|-----------------------|-----|------|------|
| A | | 2030 | |
| B | | 300 | |
| C | | 1590 | |
| D | | 3042 | |
| E | | 2260 | |
| F | | 905 | |
| G | | 375 | |
| H | | 960 | |
| I | | 1925 | |
| J | | 790 | |
| K | 570 | 2350 | 2236 |
| L | | 1200 | |
| M | | 4992 | |
| N | | 4880 | |
| O | | 3409 | |
| P | | 932 | |
| T | | 5880 | |
| DIMENSIONS (°) | | | |
| R | | 43° | |
| S | | 24° | |

▲ 1

▲ 2

▲ 3



www.ausa.com

Products are subject to modifications without prior notice. Images throughout the spec sheet may refer to non-standard machines or non-available configurations depending on models.

AUSA's logo and corporate identity are property of the Company, they cannot be used without authorization.

MKCAT.T235H.EU.ROW.0122EN