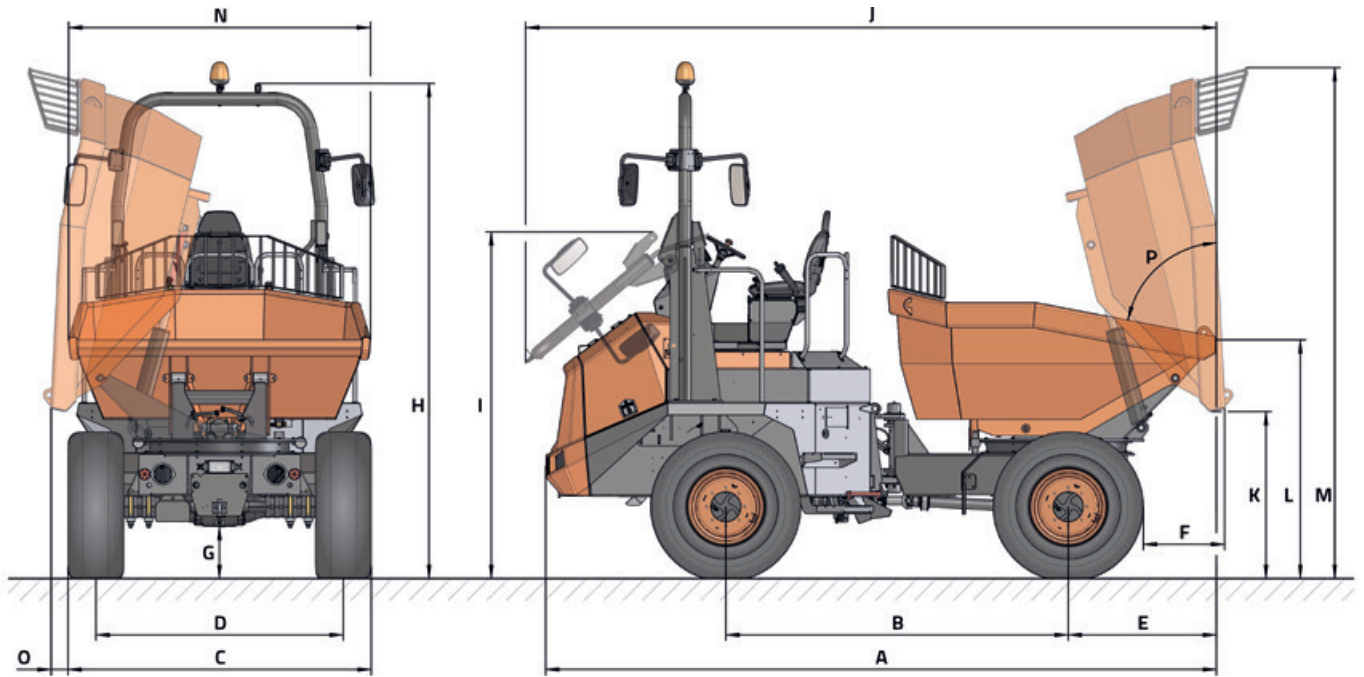




TECHNICAL DATA

GENERAL		DR 1001 AHG
Unloading system	-	Rotating
Load capacity	kg	10000
Chassis	-	Articulated and oscillating
Water hopper capacity	l	1850
Level hopper capacity	l	3300
Heaped hopper capacity	l	3900
Empty weight	kg	5050*
Transmission	-	Hydrostatic
ENGINE		
Brand	-	DEUTZ
Model	-	TCD3.6 L4 HT
Power	kW	55,4
Operating speed	rpm	2200
Torque	N-m@rpm	390@1300
No. of cylinders	-	4
Emissions	-	Stage IIIB
Injection	-	Common Rail
Exhaust aftertreatment	-	DOC (diesel oxidation catalyst)
Noise	dB(A)	101
DRIVING		
Max. speed	km/h	22
Maximum gradient	%	45
External turning radius	mm	6287
Traction	-	4x4
Tyres	-	500/60-22.5
HYDRAULIC SYSTEM		
Hydraulic circuit	-	Double gear pump
Flow rate	l/min	50
Working pressure	bar	180
TANK CAPACITY		
Fuel	l	69
Hydraulic system	l	60
BRAKES		
Service	-	Sealed brakes. Hydraulic drive
Parking	-	Negative

DIMENSIONS



DIMENSIONS (mm)	DR 1001 AHG
A	5020
B	2690
C	2410
D	1920
E	990
F	485
G	410
H	3640 (3380*)
I	2560
J	5140
K	1260
L	1820
M	3940
N	2330
O	155
DIMENSIONS (°)	
P	75

* With closed cab



www.ausa.com

Products are subject to modifications without prior notice. Images throughout the spec sheet may refer to non-standard machines or non-available configurations depending on models.

AUSA's logo and corporate identity are property of the Company, they cannot be used without authorization.