



## Articulated Dumper

# D 1000 AP D 1000 APG

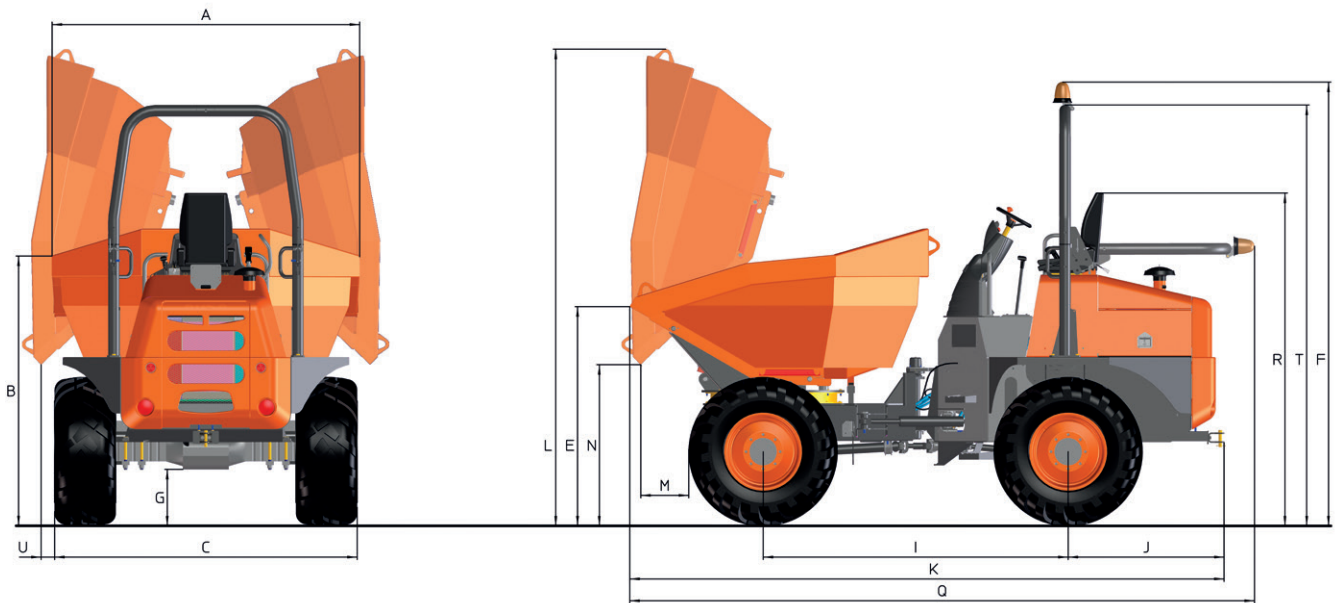


### TECHNICAL DATA

GENERAL		D 1000 AP	D 1000 APG
Unloading system	-	Frontal	Rotating
Load capacity	kg	10000	10000
Chassis	-	Articulated and oscillating	Articulated and oscillating
Water hopper capacity	l	2440	1950
Level hopper capacity	l	3750	3140
Heaped hopper capacity	l	5225	4790
Empty weight	kg	4760	4990
Transmission	-	Torque converter	Torque converter
ENGINE			
Brand	-	DEUTZ	DEUTZ
Model	-	TCD3.6 L4 HT	TCD3.6 L4 HT
Power	kW	55.4	55.4
Operating speed	rpm	2200	2200
Torque	N·m@rpm	390@1600	390@1600
No. of cylinders	-	4	4
Emissions	-	EPA Tier4f, Stage IIIB	EPA Tier4f, Stage IIIB
Injection	-	Common Rail	Common Rail
Exhaust aftertreatment	-	DOC (diesel oxidation catalyst)	DOC (diesel oxidation catalyst)
Noise	dB(A)	101	101
DRIVING			
Max. speed	km/h	32	32
Maximum gradient	%	60	60
External turning radius	mm	5950/7400*	5900/7350*
Traction	-	4x4	4x4
Tyres	-	500/60-22.5	500/60-22.5
HYDRAULIC SYSTEM			
Hydraulic circuit	-	23,3 cc gear pump	23,3 cc gear pump
Flow rate	l/min	51,25	51,25
Working pressure	bar	170	170
TANK CAPACITY			
Fuel	l	70	70
Hydraulic system	l	65	65
BRAKES			
Service	-	Sealed brakes. Hydraulic drive	Sealed brakes. Hydraulic drive
Parking	-	Sealed brakes. Mechanical drive	Sealed brakes. Mechanical drive

\* With closed cab

## DIMENSIONS



DIMENSIONS (mm)	D 1000 AP	D 1000 APG
A	2455	2475
B	2360	2340
C	2425	2425
E	1660	1715
F	3500	3515
G	410	410
I	2450	2450
J	1250	1250
K	4565	4775
L	720	3780
M	455	455
N	1315	1315
Q	4790	5015
R	2515	2515
T	3330 (3205*)	3330 (3205*)
U	-	84

\* With closed cab



[www.ausa.com](http://www.ausa.com)

Products are subject to modifications without prior notice. Images throughout the spec sheet may refer to non-standard machines or non-available configurations depending on models.

AUSA's logo and corporate identity are property of the Company, they cannot be used without authorization.