



## Articulated Dumper

# D 150 AHA D 150 AHG

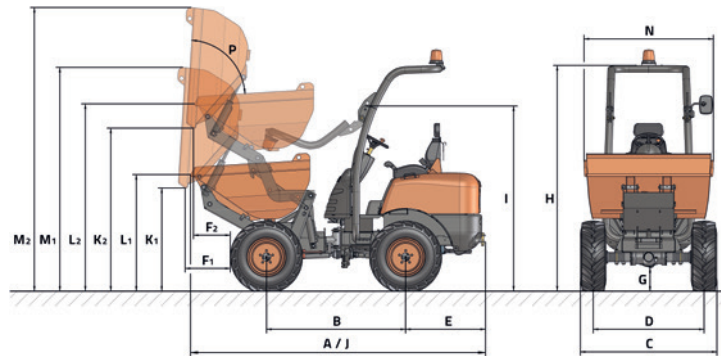


### TECHNICAL DATA

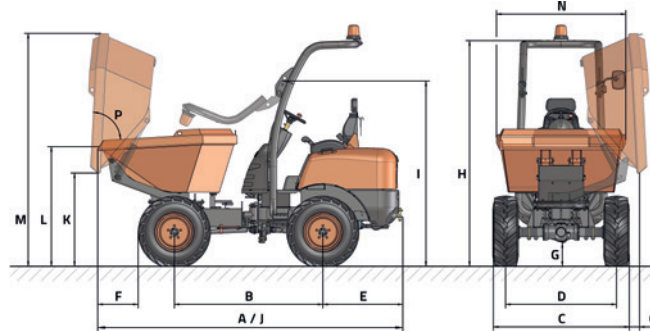
| GENERAL                 |         | D 150 AHA                       | D 150 AHG                       |
|-------------------------|---------|---------------------------------|---------------------------------|
| Unloading system        | -       | High                            | Rotating                        |
| Load capacity           | Kg      | 1500                            | 1500                            |
| Chassis                 | -       | Articulated and oscillating     | Articulated and oscillating     |
| Water hopper capacity   | l       | 605                             | 520                             |
| Level hopper capacity   | l       | 681                             | 626                             |
| Heaped hopper capacity  | l       | 841                             | 900                             |
| Empty weight            | Kg      | 1510                            | 1510                            |
| Transmission            | -       | Hydrostatic                     | Hydrostatic                     |
| <b>ENGINE</b>           |         |                                 |                                 |
| Brand                   | -       | KUBOTA                          | KUBOTA                          |
| Model                   | -       | D1105-E4B                       | D1105-E4B                       |
| Power                   | kW      | 15.6                            | 15.6                            |
| Operating speed         | rpm     | 2400                            | 2400                            |
| Torque                  | N·m@rpm | 71.4@1600                       | 71.4@1600                       |
| No. of cylinders        | -       | 3                               | 3                               |
| Emissions               | -       | Stage V - EPA Tier4             | Stage V - EPA Tier4             |
| Noise                   | dB(A)   | 101                             | 101                             |
| <b>DRIVING</b>          |         |                                 |                                 |
| Max. speed              | Km/h    | 14                              | 14                              |
| Maximum gradient        | %       | 40                              | 40                              |
| External turning radius | mm      | 3260                            | 3260                            |
| Traction                | -       | 4x4                             | 4x4                             |
| Tyres                   | -       | 10.0/75-15.3                    | 10.0/75-15.3                    |
| <b>HYDRAULIC SYSTEM</b> |         |                                 |                                 |
| Hydraulic circuit       | -       | 8 cc gear pump                  | 8 cc gear pump                  |
| Flow rate               | l/min   | 17,28                           | 17,28                           |
| Working pressure        | bar     | 180                             | 180                             |
| <b>TANK CAPACITY</b>    |         |                                 |                                 |
| Fuel                    | l       | 23                              | 23                              |
| Hydraulic system        | l       | 21.2                            | 21.2                            |
| <b>BRAKES</b>           |         |                                 |                                 |
| Service                 | -       | Sealed brakes. Mechanical drive | Sealed brakes. Mechanical drive |
| Parking                 | -       | Sealed brakes. Mechanical drive | Sealed brakes. Mechanical drive |

# DIMENSIONS

D 150 AHA



D 150 AHG



| DIMENSIONS (mm)       | D 150 AHA |      | D 150 AHG |
|-----------------------|-----------|------|-----------|
| A                     | 3200      |      | 3300      |
| B                     | 1500      |      | 1600      |
| C                     | 1480      |      | 1480      |
| D                     | 1195      |      | 1195      |
| E                     | 860       |      | 860       |
| F                     | 460       | 420  | 460       |
| G                     | 250       |      | 250       |
| H                     | 2440      |      | 2440      |
| I                     | 2000      |      | 2000      |
| J                     | 3200      |      | 3300      |
| K                     | 990       | 1750 | 1000      |
| L                     | 1270      | 2020 | 1290      |
| M                     | 2300      | 3050 | 2500      |
| N                     | 1400      |      | 1400      |
| O                     | -         |      | 135       |
| <b>DIMENSIONS (°)</b> |           |      |           |
| P                     | 83        |      | 83        |

1 ▲ | ▲ 2



[www.ausa.com](http://www.ausa.com)

Products are subject to modifications without prior notice. Images throughout the spec sheet may refer to non-standard machines or non-available configurations depending on models.

AUSA's logo and corporate identity are property of the Company, they cannot be used without authorization.