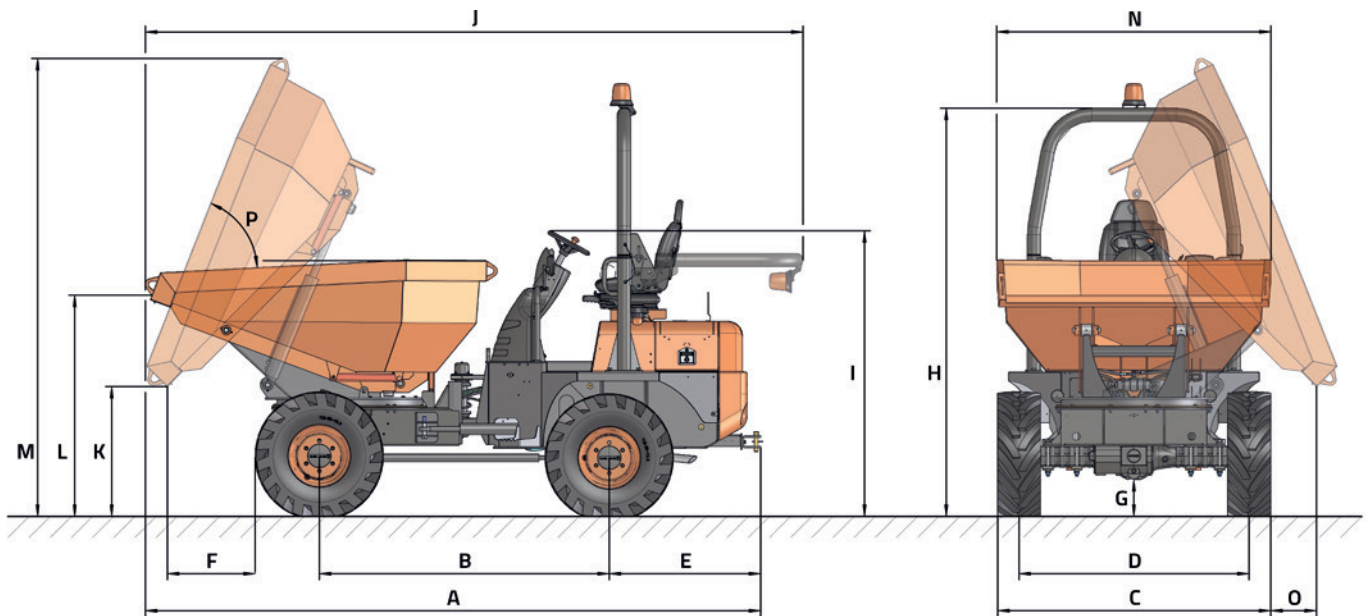




## TECHNICAL DATA

<b>GENERAL</b>		<b>D 300 AHG</b>
Unloading system	-	Rotating
Load capacity	kg	3000
Chassis	-	Articulated and oscillating
Water hopper capacity	l	720
Level hopper capacity	l	1330
Heaped hopper capacity	l	1560
Empty weight	kg	2701
Transmission	-	Hydrostatic
<b>ENGINE</b>		
Brand	-	KUBOTA
Model	-	V1505-E4B
Power	kW	18,5
Operating speed	rpm	2300
Torque	N·m@rpm	92,6@1700
No. of cylinders	-	4
Emissions	-	Stage V - EPA Tier4i
Injection	-	Common Rail and electronic management
Exhaust aftertreatment	-	DPF (Diesel particulate filter)
Noise	dB(A)	101
<b>DRIVING</b>		
Max. speed	km/h	17
Maximum gradient	%	46
External turning radius	mm	4515 (4720)
Traction	-	4x4
Tyres	-	11,5/80-15,3
<b>HYDRAULIC SYSTEM</b>		
Hydraulic circuit	-	12 cc gear pump
Flow rate	l/min	26,6
Working pressure	bar	170
<b>TANK CAPACITY</b>		
Fuel	l	44
Hydraulic system	l	40
<b>BRAKES</b>		
Service	-	Sealed brakes with multiple discs in oil. Hydraulic drive
Parking	-	Sealed brakes with multiple discs in oil. Mechanical drive

## DIMENSIONS



DIMENSIONS (mm)	D 300 AHG
A	4040
B	1960
C	1840
D	1555
E	1025
F	525
G	260
H	2770
I	1940
J	4320
K	940
L	1450
M	3090
N	1510
O	250
DIMENSIONS (°)	
P	65



[www.ausa.com](http://www.ausa.com)

Products are subject to modifications without prior notice. Images throughout the spec sheet may refer to non-standard machines or non-available configurations depending on models.

AUSA's logo and corporate identity are property of the Company, they cannot be used without authorization.