



Reversible Dumper

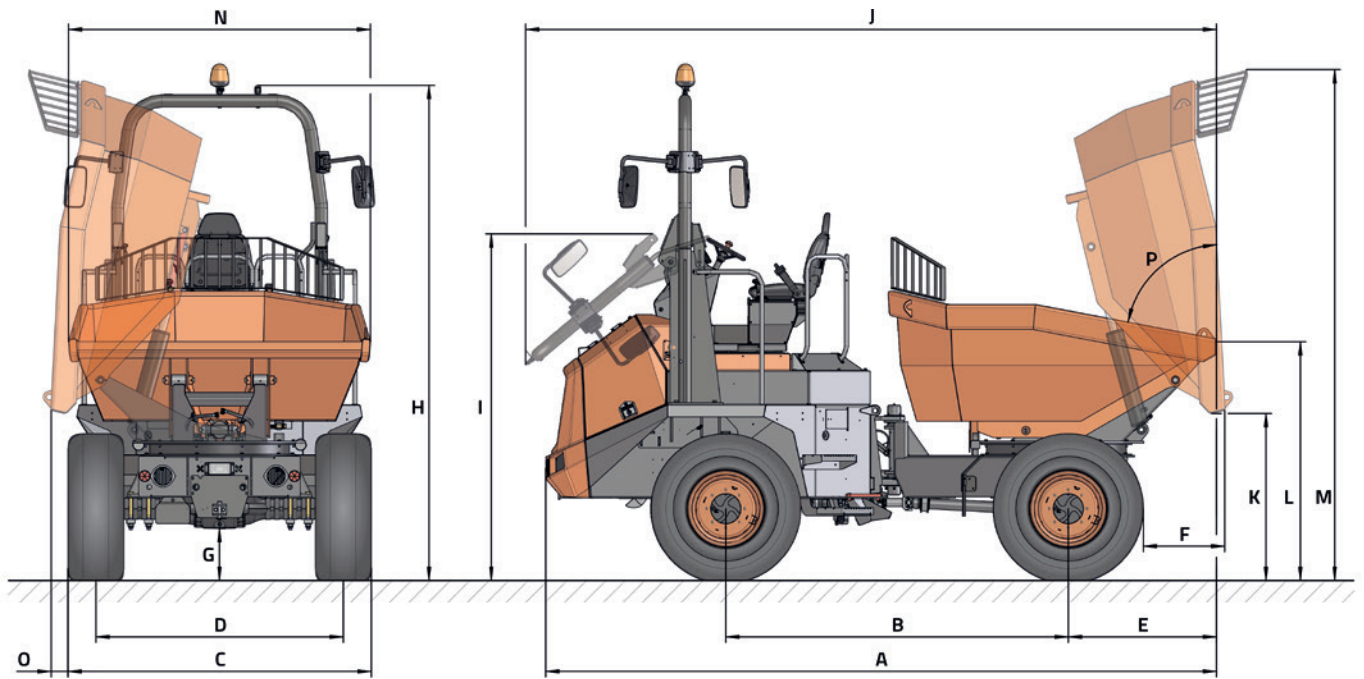
DR 601 AHG



TECHNICAL DATA

| GENERAL | | DR 601 AHG |
|-------------------------|---------|---------------------------------|
| Unloading system | - | Rotating |
| Load capacity | kg | 6000 |
| Chassis | - | Articulated and oscillating |
| Water hopper capacity | l | 1665 |
| Level hopper capacity | l | 2455 |
| Heaped hopper capacity | l | 3154 |
| Empty weight | kg | 4830 |
| Transmission | - | Hydrostatic |
| ENGINE | | |
| Brand | - | DEUTZ |
| Model | - | TD3.6 L4 |
| Power | kW | 55,4 |
| Operating speed | rpm | 2200 |
| Torque | N-m@rpm | 340@1500 |
| No. of cylinders | - | 4 |
| Emissions | - | Stage V |
| Injection | - | Common Rail |
| Exhaust aftertreatment | - | DPF (Diesel particulate filter) |
| Noise | dB(A) | 101 |
| DRIVING | | |
| Max. speed | km/h | 25 |
| Maximum gradient | % | 45 |
| External turning radius | mm | 5900 |
| Traction | - | 4x4 |
| Tyres | - | 405/70-20 (16.0/70-20) |
| HYDRAULIC SYSTEM | | |
| Hydraulic circuit | - | Double gear pump |
| Flow rate | l/min | 50 |
| Working pressure | bar | 180 |
| TANK CAPACITY | | |
| Fuel | l | 69 |
| Hydraulic system | l | 60 |
| BRAKES | | |
| Service | - | Sealed brakes. Hydraulic drive |
| Parking | - | Negative |

DIMENSIONS



| DIMENSIONS (mm) | DR 601 AHG |
|-----------------|--------------|
| A | 4910 |
| B | 2490 |
| C | 2210 |
| D | 1800 |
| E | 1080 |
| F | 580 |
| G | 380 |
| H | 3610 (3350*) |
| I | 2530 |
| J | 5030 |
| K | 1220 |
| L | 1740 |
| M | 3720 |
| N | 2200 |
| O | 110 |
| DIMENSIONS (°) | |
| P | 75 |

* With closed cab



www.ausa.com

Products are subject to modifications without prior notice. Images throughout the spec sheet may refer to non-standard machines or non-available configurations depending on models.

AUSA's logo and corporate identity are property of the Company, they cannot be used without authorization.