



D101AHA / COMPACT D101AHG

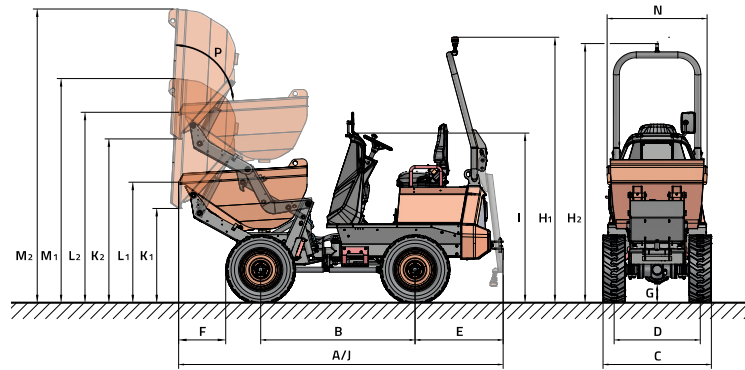


TECHNICAL DATA

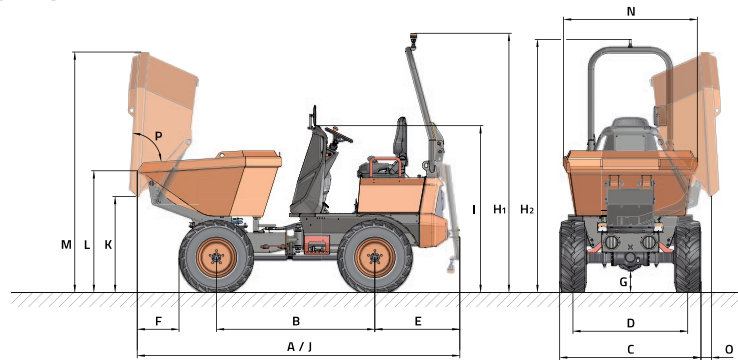
GENERAL		D101AHA // COMPACT	D101AHG
Unloading system	-	High	Rotating
Load capacity	Kg	1000	1000
Chassis	-	Articulated and oscillating	Articulated and oscillating
Water hopper capacity	l	345	325
Level hopper capacity	l	395	390
Heaped hopper capacity	l	565	545
Empty weight	Kg	1465	-
Transmission	-	Hydrostatic	Hydrostatic
ENGINE			
Brand	-	KUBOTA	KUBOTA
Model	-	D1105-E4B	D1105-E4B
Power	kW	15.4	15.4
Operating speed	rpm	2400	2400
Torque	N·m@rpm	70,3@1600	70,3@1600
No. of cylinders	-	3	3
Emissions	-	Stage V - EPA Tier4	Stage V - EPA Tier4
Noise	dB(A)	-	-
DRIVING			
Max. speed	Km/h	14	14
Maximum gradient	%	-	-
External turning radius	mm	3000	3000
Traction	-	4x4	4x4
Tyres	-	27x8.50-15 // 6.5/80-12	27x8.50-15
HYDRAULIC SYSTEM			
Hydraulic circuit	-	8 cc gear pump	8 cc gear pump
Flow rate	l/min	21	21
Working pressure	bar	150	150
TANK CAPACITY			
Fuel	l	37,5	37,5
Hydraulic system	l	24,5	24,5
BRAKES			
Service	-	Hydrostatic, retention	Hydrostatic, retention
Parking	-	Negative brake and electro-hydraulic release	Negative brake and electro-hydraulic release

DIMENSIONS

D101AHA /COMPACT



D101AHG



DIMENSIONS (mm)	D101AHA		D101AHA COMPACT		D101AHG	
A	3260		3260		3360	
B	1500		1500		1500	
C	1090		990		1090	
D	865		815		865	
E	935		935		935	
F	500		530		600	
G	185		145		185	
H	2680	2620	2640	2580	2680	2620
I	1720		1680		1720	
J	3260		3260		3360	
K	940	1640	890	1590	960	
L	1210	1910	1160	1860	1230	
M	2260	2960	2230	2930	2380	
N	1000		1000		1000	
O	-		-		315	
DIMENSIONS (°)						
P	83		83		83	
	1 ▲	▲ 2	1 ▲	▲ 2	1 ▲	▲ 2



www.ausa.com

Products are subject to modifications without prior notice. Images throughout the spec sheet may refer to non-standard machines or non-available configurations depending on models.

AUSA's logo and corporate identity are property of the Company, they cannot be used without authorization.