



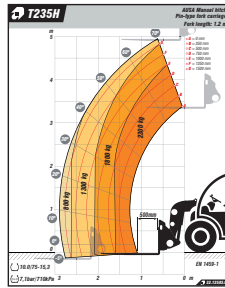
## TECHNICAL DATA

GENERAL		T 235 H
Load capacity	Kg	2300
Load capacity at maximum height	Kg	1800
Maximum lift	mm	5000
Maximum lift under maximum load	mm	4300
Maximum reach	mm	2358
Maximum load at maximum reach	Kg	800
Unladen weight *	Kg	4700
Transmission	-	2-speed hydrostatic
<b>ENGINE</b>		
Make	-	KUBOTA
Model	-	D1803-CR-T-E5B
Power	kW	32,8
Torque	N·m@rpm	150,5@1500
No. cylinders	-	3
Emissions	-	Stage V, Tier 4f
Ambient noise	dB(A)	101
<b>DRIVING</b>		
Maximum speed	Km/h	24
Gradeability under full load	%	42
Traction	-	4x4x4
Front tyres	-	10/75-15.3
Rear tyres	-	10/75-15.3
<b>HYDRAULIC SYSTEM</b>		
Flow rate	l/min	51,8 / 17,28
Working pressure	bar	240
<b>TANK CAPACITY</b>		
Fuel	l	65
Hydraulic	l	70
<b>BRAKES</b>		
Service	-	Hydraulic - disc
Parking	-	Mechanical

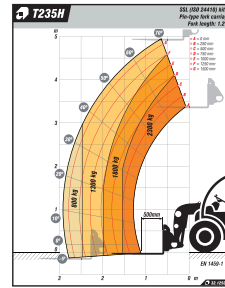
\* It may change due to optional equipment

# DIMENSIONS

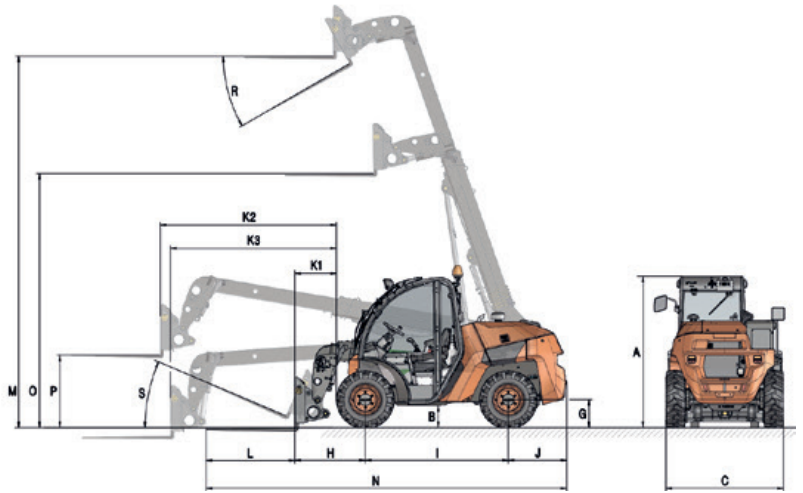
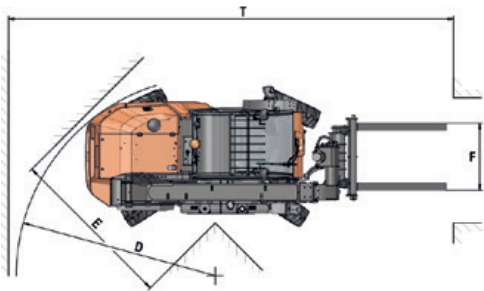
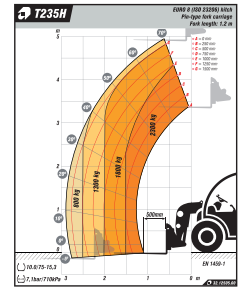
AUSA Carriage



Universal Carriage



EURO 8 Carriage



**DIMENSIONS (mm)**

**T 235 H**

A		2030	
B		300	
C		1590	
D		3042	
E		2468	
F		905	
G		375	
H		960	
I		1925	
J		790	
K	570	2350	2236
L		1200	
M		4300	
N		4880	
O		3409	
P		932	
T		5880	
<b>DIMENSIONS (°)</b>			
R		113°	
S		41°	

▲ 1

▲ 2

▲ 3



[www.ausa.com](http://www.ausa.com)

Products are subject to modifications without prior notice. Images throughout the spec sheet may refer to non-standard machines or non-available configurations depending on models.

AUSA's logo and corporate identity are property of the Company, they cannot be used without authorization.