



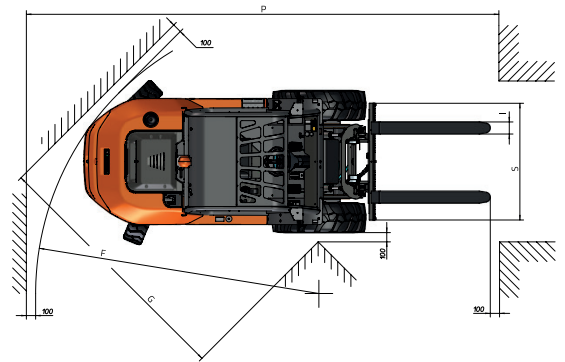
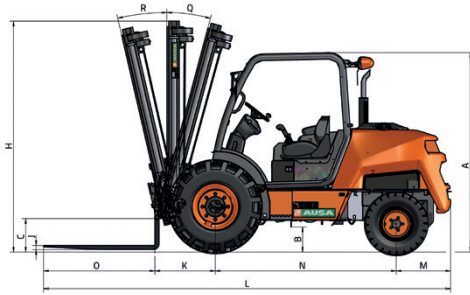
TECHNICAL DATA

GENERAL		C 201 H	C 201 H x4
Load capacity to 500 mm	kg	2000	2000
Load capacity to 600 mm	kg	1840	1840
Unladen weight *	kg	3470	3635
Transmission	-	Hydrostatic	Hydrostatic
MAST			
Fork carriage	-	FEM 2	FEM 2
Carriage width	mm	1260/1660	1260/1660
ENGINE			
Make	-	KUBOTA	KUBOTA
Model	-	V1505-E4B	V1505-E4B
Power	kW	18,5	18,5
Operating speed	rpm	2300	2300
Torque	N·m@rpm	92,6@1700	92,6@1700
No. cylinders	-	4	4
Emissions	-	Stage V, EPA/CARB Tier 4	Stage V, EPA/CARB Tier 4
Ambient noise	dB(A)	103	103
DRIVING			
Max. speed	km/h	17	17
Gradability	%	25	40
Traction	-	4x2	4x4 FullGrip®
Front tyres	-	12-16,5	12-16,5
Rear tyres	-	7.00-12	27x8,5-15
HYDRAULIC SYSTEM			
Hydraulic circuit	-	Two gears pump	Two gears pump
Flow rate	l/min	45	45
Working pressure	bar	185	185
TANK CAPACITY			
Fuel	l	62	62
Hydraulic	l	51	51
BRAKES			
Service	-	Hydraulic, multi-disc and sealed	Hydraulic, multi-disc and sealed
Parking	-	Negativ, multi-disc and sealed	Negativ, multi-disc and sealed

* It may change due to optional equipment

DIMENSIONS

TYPE OF MAST	Maximum lift (mm)	H		Free lift (mm)	Load at maximum height @ 500 mm (kg)	
		Retracted mast height (mm)	Extended mast height (mm)		All-terrain use	Narrow axle
Duplex mast (Std.)	3300	2410	4170	120	2000	-
Triplex mast	3700	2070	4620	1130	2000	-
Triplex mast	4300	2230	5250	1330	-	2000
Triplex mast	5400	2610	6620	1680	-	1250



DIMENSIONS (mm)	C 201 H	C 201 H x4
A	2090	2090
B	210	210
C	310	310
D	1390	1490
E	1520	1520
E**	1780	1780
F	3020	4020
G	2780	2850
I	100	100
J	40	40
K	650	650
L	4380	4380
M	580	580
N	1950	1950
O	1200	1200
P	5060	6180
S	1260	1260
S***	1600	1600
DIMENSIONS (°)		
Q	14	14
R	11	11

** Measured with high-lift mast installed ***Measured for wide axle carriage



www.ausa.com

Products are subject to modifications without prior notice. Images throughout the spec sheet may refer to non-standard machines or non-available configurations depending on models.

AUSA's logo and corporate identity are property of the Company, they cannot be used without authorization.