



TECHNICAL DATA

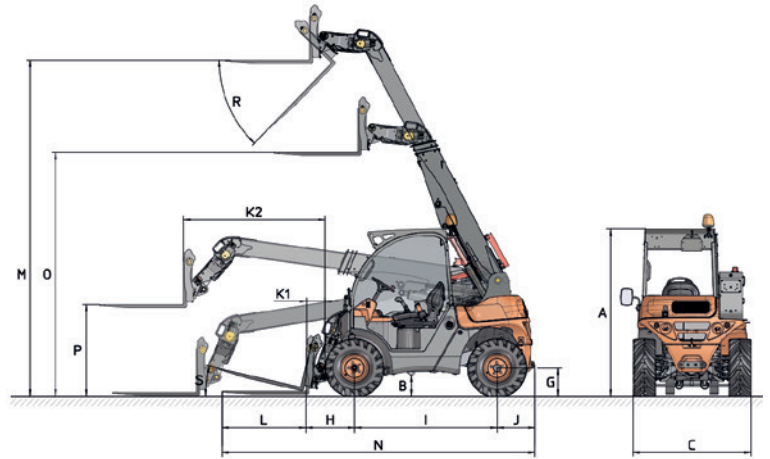
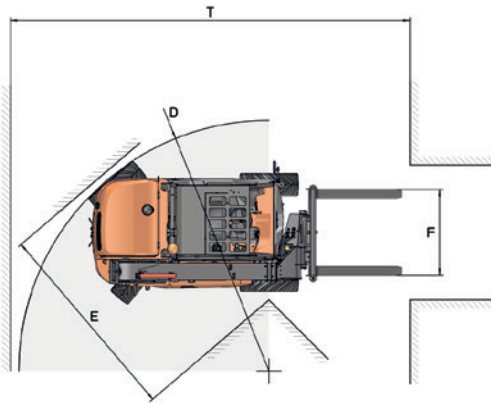
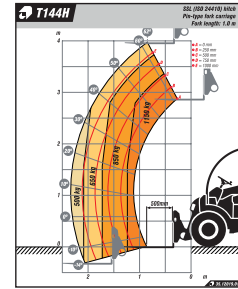
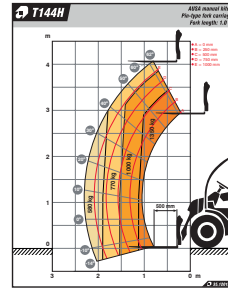
GENERAL		T 144 H
Load capacity	kg	1350
Load capacity at maximum height	kg	770
Maximum lift	mm	4000
Maximum lift under maximum load	mm	3400
Maximum reach	mm	1682
Maximum load at maximum reach	kg	580
Unladen weight *	kg	2527
Transmission	-	Hydrostatic automatic control
ENGINE		
Make	-	KUBOTA
Model	-	V-1505-E4B
Power	kW	18,5
Operating speed	rpm	2300
Torque	N·m@rpm	92,6@1700
No. cylinders	-	4
Emissions	-	Stage V, EPA Tier4
Ambient noise	dB(A)	101
DRIVING		
Maximum speed	Km/h	18,3
Gradeability under full load	%	25
Traction	-	4x4
Front tyres	-	11.0/65x12
Rear tyres	-	11.0/65x12
HYDRAULIC SYSTEM		
Flow rate	l/min	20,8
Working pressure	bar	240
TANK CAPACITY		
Fuel	l	55
Hydraulic	l	32
BRAKES		
Service	-	Hydrostatic - retention
Parking	-	Mechanically applied hydraulically released inside the hydrostatic motor

* It may change due to optional equipment

DIMENSIONS

AUSA carriage

Universal & EURO8 carriage



DIMENSIONS (mm)

T 144 H PLUS

A		2000
B		252
C		1405
D		2982
E		2481
F		1015
G		335
H		580
I		1700
J		450
K	228	1682
L		1000
M		4000
N		3730
O		2928
P		1094
T		4730
DIMENSIONS (°)		
R		46
S		13

▲ 1

▲ 2



www.ausa.com

Products are subject to modifications without prior notice. Images throughout the spec sheet may refer to non-standard machines or non-available configurations depending on models.

AUSA's logo and corporate identity are property of the Company, they cannot be used without authorization.