



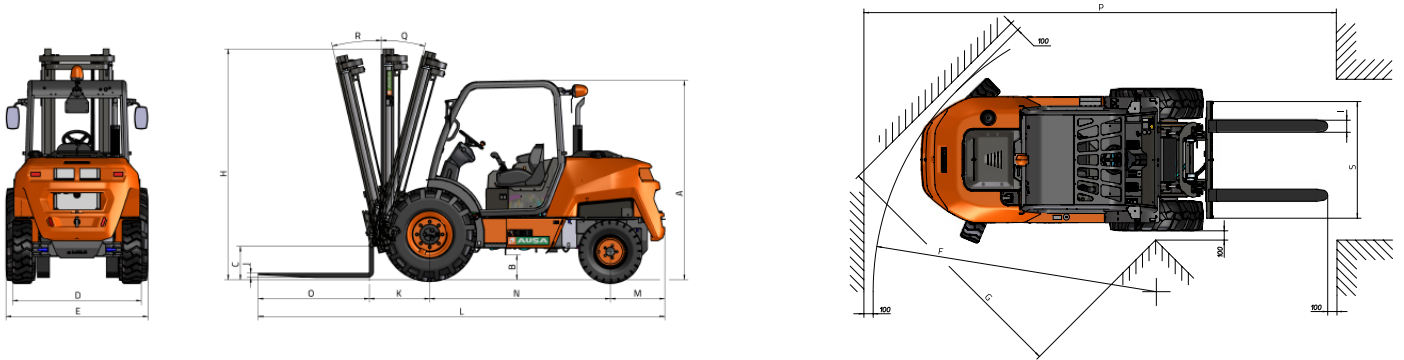
TECHNICAL DATA

GENERAL		C 201 H	C 201 H x4
Load capacity to 24"	lb	4,000	4,000
Unladen weight *	lb	8,013	8,013
Transmission	-	Hydrostatic	Hydrostatic
MAST			
Fork carriage	-	FEM 2	FEM 2
Carriage width	in	49.6 / 65.3	49.6 / 65.3
ENGINE			
Make	-	KUBOTA	KUBOTA
Model	-	D 1703	D 1703
Power	hp	24.8	24.8
Operating speed	rpm	2200	2200
Torque	N·m@rpm	97,4@1500	97,4@1500
No. cylinders	-	3	3
Emissions	-	EPA Tier 4	EPA Tier 4
Ambient noise	dB(A)	103	103
DRIVING			
Max. speed	mph	10.5	10.5
Gradeability	%	25	40
Traction	-	4x2	4x4 FullGrip®
Front tires	-	12-16.5	12-16.5
Rear tires	-	7.00-12	27x8.5-15
HYDRAULIC SYSTEM			
Hydraulic circuit	gal/min	11.9	11.9
Working pressure	psi	2,683	2,683
TANK CAPACITY			
Fuel	gal	16.4	16.4
Hydraulic	gal	13.5	13.5
BRAKES			
Service	-	Hydraulic, multi-disc and sealed	Hydraulic, multi-disc and sealed
Parking	-	Negativ, multi-disc and sealed	Negativ, multi-disc and sealed

* It may change due to optional equipment

DIMENSIONS

TYPE OF MAST	Maximum lift (ft)	H		Free lift (in)	Load at maximum height @ 24"(lb)	
		Retracted mast height (in)	Extended mast height (in)		Narrow axle	All-terrain use Wide axle
Duplex mast (Std.)	10.83	94.8	163.9	4.7	4,000	-
Triplex mast	12.14	81.5	181.7	44.5	4,000	-
Triplex mast	14.11	87.8	206.7	52.3	-	4,000
Triplex mast	17.72	102.7	260.6	66.1	-	2,545



DIMENSIONS (in)	C 201 H	C 201 H x4
A	82.28	82.28
B	8.27	8.27
C	12.20	12.20
D	54.72	58.66
E	59.84	59.84
E**	70.08	70.08
F	118.90	158.27
G	109.45	112.20
I	3.94	3.94
J	1.57	1.57
K	25.59	25.59
L	172.44	172.44
M	22.83	22.83
N	76.77	76.77
O	47.24	47.24
P	199.21	243.31
S	49.61	49.61
S***	62.99	62.99
DIMENSIONS (°)		
Q	14	14
R	11	11

** Measured with high-lift mast installed ***Measured for wide axle carriage



www.ausa.com

Products are subject to modifications without prior notice. Images throughout the spec sheet may refer to non-standard machines or non-available configurations depending on models.

AUSA's logo and corporate identity are property of the Company, they cannot be used without authorization.