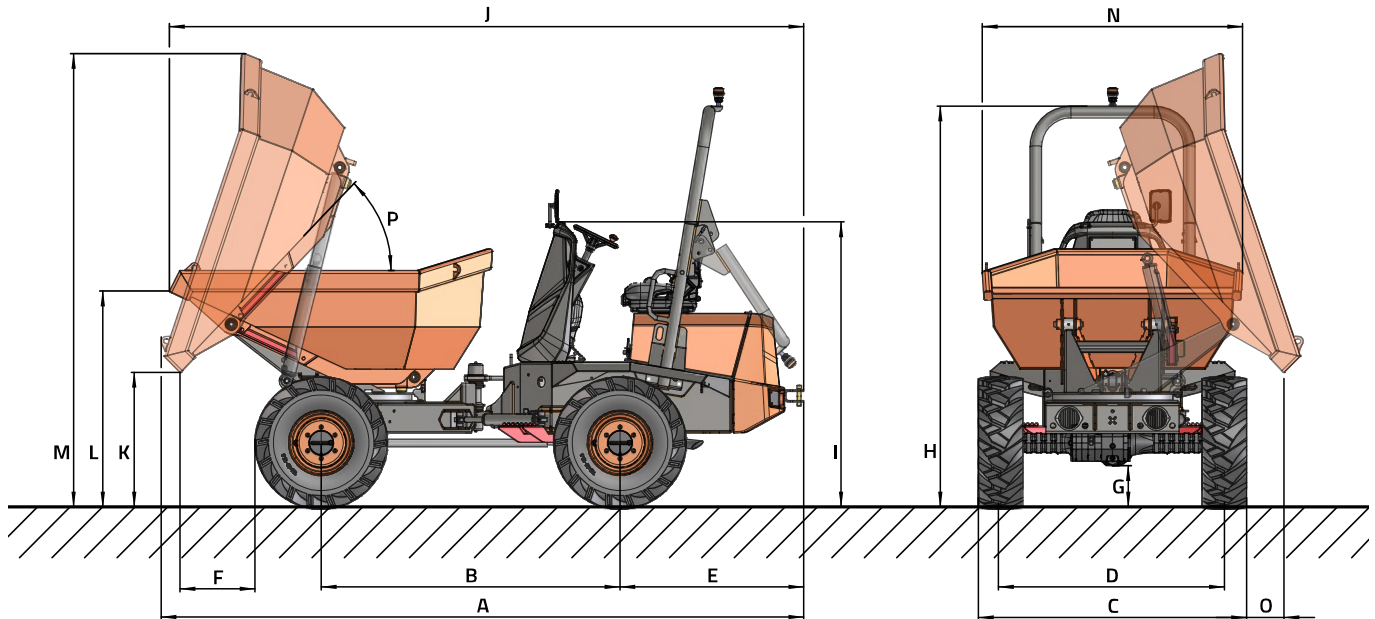




TECHNICAL DATA

GENERAL		D 301 AHG
Unloading system	-	Rotating
Load capacity	lb	6,600
Chassis	-	Articulated and oscillating
Water hopper capacity	cu yd	1.28
Level hopper capacity	cu yd	1.73
Heaped hopper capacity	cu yd	2.28
Empty weight	lb	5,070
Transmission	-	Hydrostatic
ENGINE		
Brand	-	KUBOTA
Model	-	V1505-E4B
Power	hp	24.8
Operating speed	rpm	2,300
Torque	N-m@rpm	92.6@1700
No. of cylinders	-	3
Emissions	-	EPA Tier 4, Stage V
Injection	-	Mechanical pump
Exhaust aftertreatment	-	-
Noise	dB(A)	101
DRIVING		
Max. speed	mph	11.2
Maximum gradient	%	50
External turning radius	in	156
Traction	-	4x4
Tyres	-	11.5/80-15.3
HYDRAULIC SYSTEM		
Main pump	-	0.73 cu in gear pump
Flow rate	gal/min	6.6
Working pressure	psi	2,538
TANK CAPACITY		
Fuel	gal	9.9
Hydraulic system	gal	9.8
BRAKES		
Service	-	Sealed brakes. Hydraulic drive
Parking	-	Sealed brakes. Negative

## DIMENSIONS



DIMENSIONS (in)	D 301 AHG
A	163
B	76.8
C	68.9
D	57.5
E	47.2
F	22.8
G	10.2
H	105.1
I	72.6
J	126
K	34.2
L	56.1
M	116.1
N	68.9
O	9.8
<b>DIMENSIONS (in)</b>	
P	28.1



[www.ausa.com](http://www.ausa.com)

Products are subject to modifications without prior notice. Images throughout the spec sheet may refer to non-standard machines or non-available configurations depending on models.

AUSA's logo and corporate identity are property of the Company, they cannot be used without authorization.